



Installation Instructions

Ford Winch Bumper

Product Number: A1650-A1652

Application: '99-'04 Ford Super Duty

SAFETY

Your safety and the safety of others is very important.

- In order to help you make informed decisions about safety, we have provided installation instructions and other information.
- These instructions alert you to potential hazards that could hurt you or others.
- Please do a job safety analysis (JSA) before each task to identify potential hazards for your situation and remove/protect against them.
- You must use your own good judgment, and take your time.

Read and understand all safety precautions and instructions before installing this product.

THIS PRODUCT IS FOR OFFROAD USE ONLY. ALL LIABILITY FOR INSTALLATION AND USE RESTS WITH THE OWNER.

CARELESS INSTALLATION AND OPERATION CAN RESULT IN SERIOUS INJURY OR EQUIPMENT DAMAGE.

Injury hazard

Failure to observe these instructions could lead to severe injury or death.

- Always** remove jewelry and wear eye protection.
- Always** use extreme caution when jacking up a vehicle for work. Set emergency brake and use tire blocks. Locate and use the vehicle manufacturers designated lifting points. Use jack stands.
- Always** use appropriate and adequate care in lifting components into place.
- Always** insure components will remain secure during installation and operation.
- Always** wear safety glasses when installing this kit. A drilling operation will cause flying metal chips. Flying chips can cause serious eye injury.
- Always** use extreme caution when drilling on a vehicle. Thoroughly inspect the area to be drilled (on both sides of material) prior to drilling, and relocate any objects that may be damaged.
- Always** use extreme caution when cutting and trimming during fitting.
- Always** tighten all nuts and bolts securely per installation instructions.
- Always** route electrical cables carefully. Avoid moving parts, components that become hot and rough or sharp edges.
- Always** insulate and protect all exposed wiring and electrical terminals.
- Always** perform regular inspections and maintenance on mounts and related hardware.





Installation Instructions

Ford Winch Bumper

Product Number: A1650-A1652

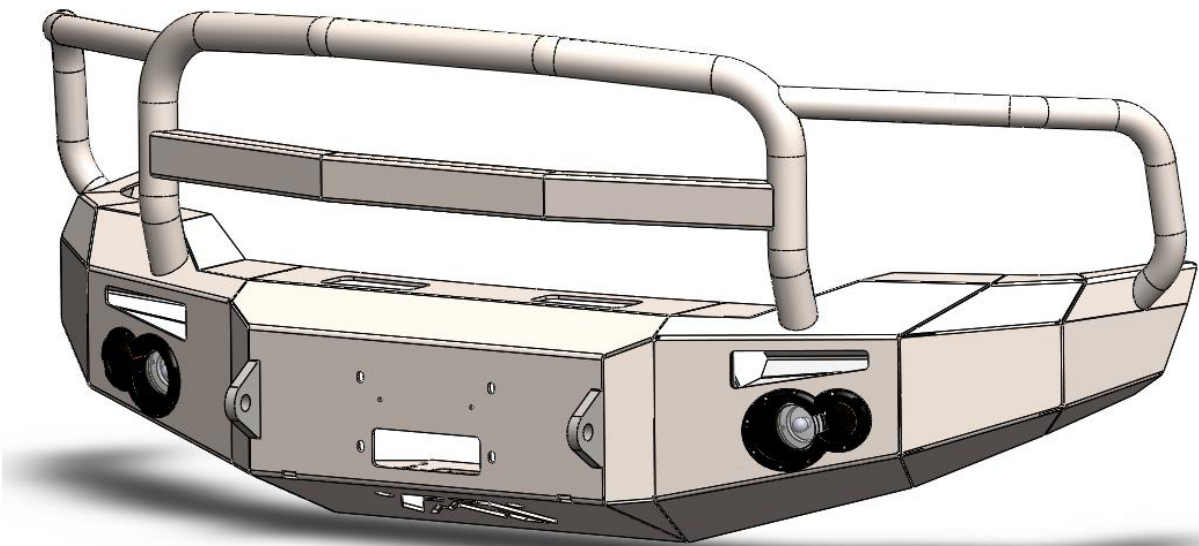
Application: '99-'04 Ford Super Duty

I. Overview

Congratulations on your purchase of the industries' best and most stylish Ford winch bumper! This bumper has been **engineered** for strength while keeping the weight down. It can accept the Warn 16.5 winch... and look cool doing it.

Your bumper was designed in 3-D from digitized data, CNC laser cut, fabricated, and powder coated... all in the U.S.A.

Enjoy the fit and finish of a quality Ford winch bumper from Fab Fours Inc!





Installation Instructions

Ford Winch Bumper

Product Number: A1650-A1652

Application: '99-'04 Ford Super Duty

II. Tools Required

- Socket Wrench With Extension
- 5/32" Allen Wrench
- 1/8" Allen Wrench
- 18mm Socket
- 3/4" Socket
- 3/4" Open End Wrench
- 7/16" Open End Wrench
- 3/8" Open End Wrench
- 7/32" Socket
- Phillips Screwdriver
- Hammer
- Tin Snips

III. Vehicle Preparation

- A) Disconnect OEM fog lamp connectors, zip tie harness to frame.
- B) Remove fasteners holding OEM bumper to chassis. Repeat for other side.

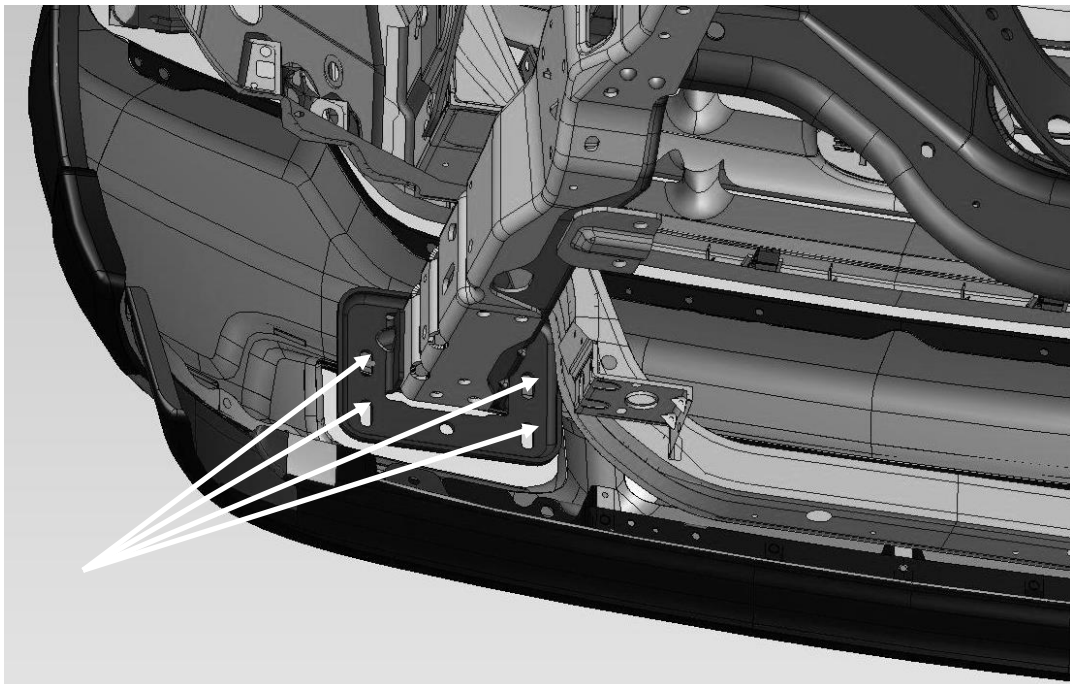


Figure 1





Installation Instructions

Ford Winch Bumper

Product Number: A1650-A1652

Application: '99-'04 Ford Super Duty

- C) Remove OEM bumper assembly.



Figure 2

- D) Remove OEM tow hooks.





Installation Instructions

Ford Winch Bumper

Product Number: A1650-A1652

Application: '99-'04 Ford Super Duty

IV. Lights and wiring installation

1. Remove headlights following procedure in owner's manual. On each side, tap into the three turn indicator wires using supplied tap connectors.
2. Connect supplied turn indicator wiring harnesses to factory wires using supplied tap connectors; See below for wire color guide on Fab Fours turn signal. Use a multi-meter or test light to determine the correct location for each wire
3. Replace headlights in reverse order of removal.
4. Tap into OEM fog light harness using two supplied tap connectors.
5. Connect supplied fog lamp wiring harness to tap connectors.
6. Run passenger side fog lamp supply wires across bottom of bumper and tap into Fab Fours driver side fog lamp wires.
7. Install turn indicators into the plastic light insert using three self-tapping screws as shown below:

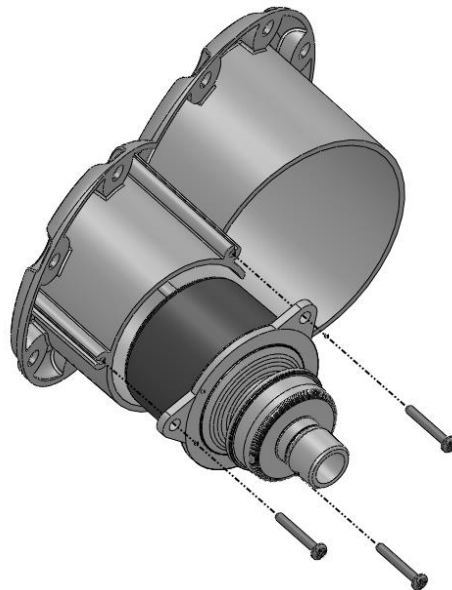


Figure 3 – Turn Signal Installation





Installation Instructions

Ford Winch Bumper

Product Number: A1650-A1652

Application: '99-'04 Ford Super Duty

8. Install the light inserts with turn indicators into the cutout in the bumper. Use the $\frac{3}{4}$ " length $\frac{1}{4}$ " stainless steel button head, $\frac{1}{4}$ " washers and hex nuts to fasten the insert through the holes shown below:

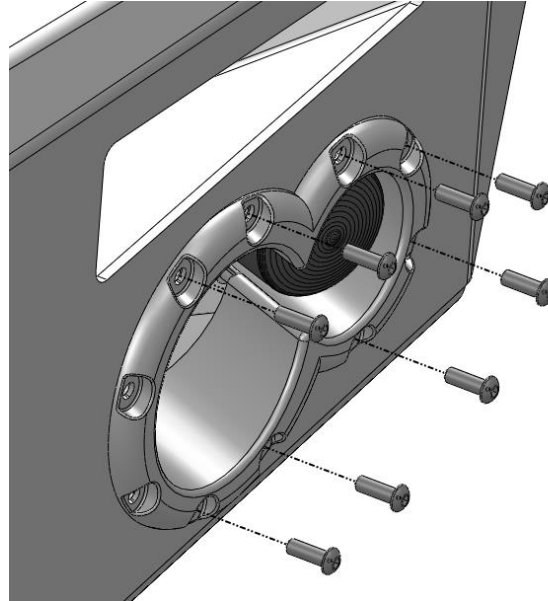


Figure 4 – Light Insert Installation

9. Install the Fab Fours fog lights onto the mounting brackets as shown below using the #8 button head screws, washers, and nylok hex nuts.

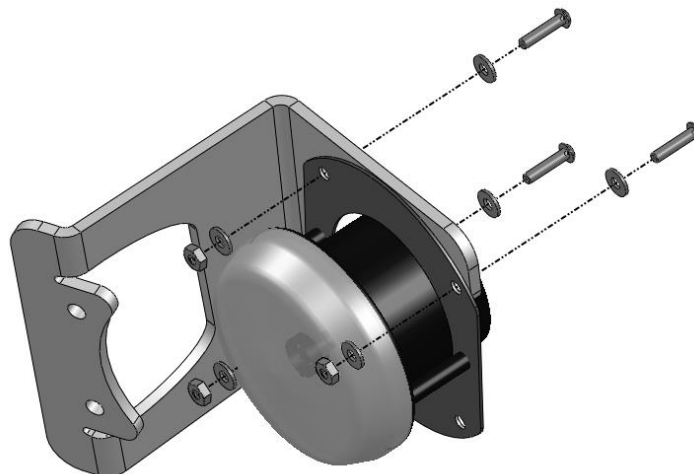


Figure 5 - Fog Light to Bracket Installation





Installation Instructions

Ford Winch Bumper

Product Number: A1650-A1652

Application: '99-'04 Ford Super Duty

10. Install the fog light and bracket into the bumper using the remaining two holes available in the light insert. Use the 1-1/2" length 1/4" stainless steel button heads with 1/4" washers and nylok nuts:

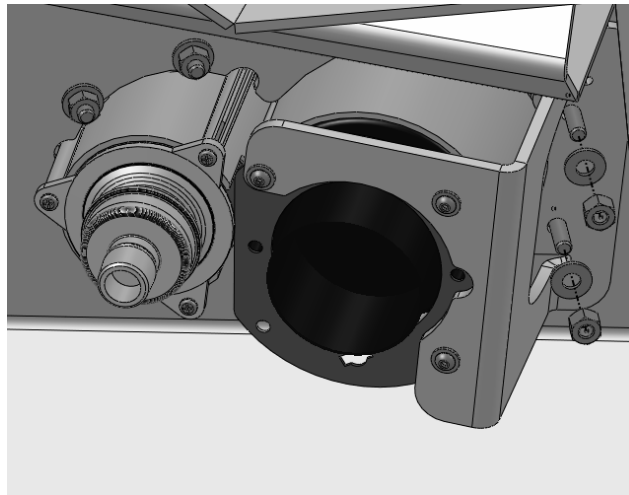


Figure 6 - Fog Light Installation

11. Repeat steps 7-10 for other side.

Do not connect wiring harnesses to lights until bumper is installed.





Installation Instructions

Ford Winch Bumper

Product Number: A1650-A1652

Application: '99-'04 Ford Super Duty

V. Bumper Installation

- ❑ **Optional:** If installing winch and roller fairlead into bumper, do it at this time, following manufacturer's installation procedure.
- ❑ A) Install mounting brackets onto bumper as shown using provided bolt plates, washers, lock washers, and hex nuts. Tighten finger tight to allow for adjustment. Repeat for other side.

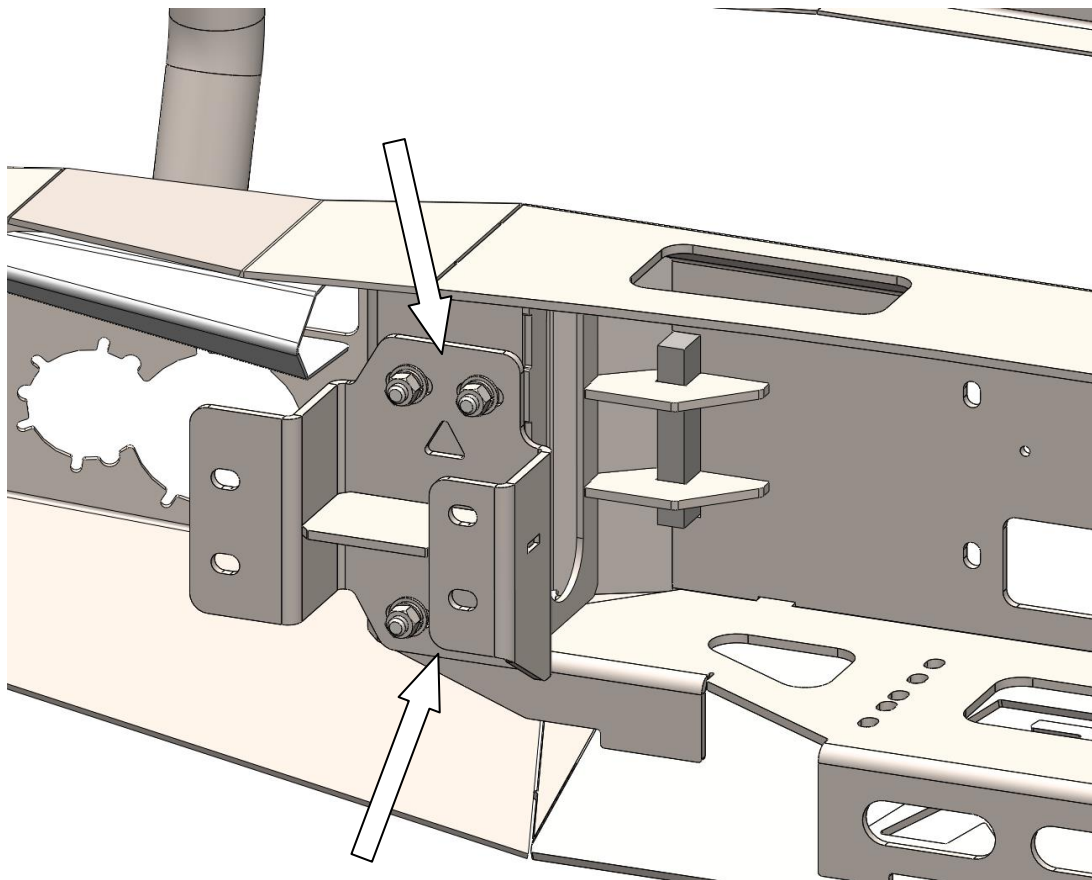


Figure 7





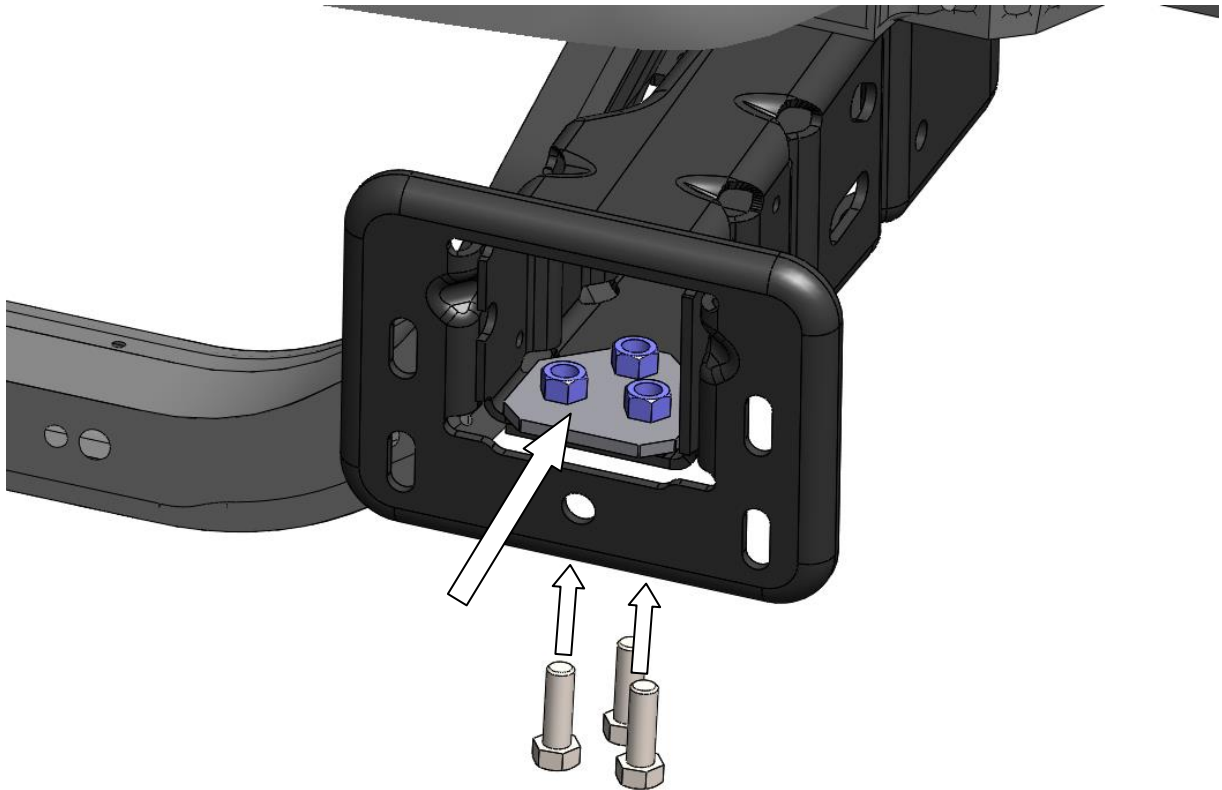
Installation Instructions

Ford Winch Bumper

Product Number: A1650-A1652

Application: '99-'04 Ford Super Duty

- ❑ B) For vehicles with front leaf springs, insert the provided nut plates into the frame rail ends. Then, install the provided 1-1/2" long bolts through the bottom of the leaf spring mounts, through the frame rails, and into the nut plates.



- ❑ C) With the aid of a lifting device or helpers, carefully lift bumper up to the vehicle mounting flanges, and insert provided fasteners through the holes in the brackets and frame rail flanges. Using provided bolts, washers, lock washers, and nuts, fasten the bumper brackets to the flange on vehicle frame rails. Tighten all fasteners to finger tight until final alignment is finished.



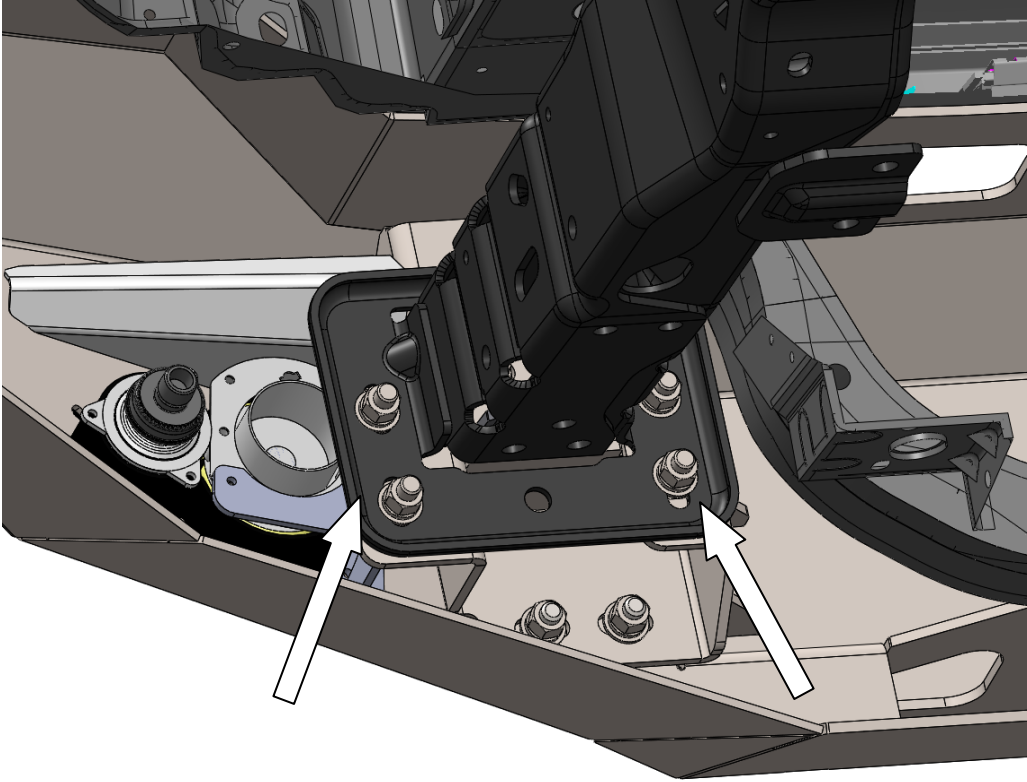


Installation Instructions

Ford Winch Bumper

Product Number: A1650-A1652

Application: '99-'04 Ford Super Duty



- ❑ C) Adjust the bumper to achieve good visual alignment.
- ❑ D) Tighten all fasteners; beginning with frame mounts. Then tighten all mount-to-bumper fasteners.
- ❑ E) Connect wiring harnesses to lights as shown in wiring diagram.
- ❑ F) Verify proper operation of lights. **Note:** Turn indicators should be dim during “running” condition and flash bright for turn.

Optional: Trim inner plastic fender with tin snips to match bumper profile.





Installation Instructions

Ford Winch Bumper

Product Number: A1650-A1652

Application: '99-'04 Ford Super Duty

VI. Wiring Diagram

Note: wire colors may vary

Driver Side Turn Indicator at Headlight

OEM (Running) Brown → White Fab Fours
OEM (Turn) Green/White → Red Fab Fours
OEM (Ground) Black → Green Fab Fours

Passenger Side Turn Indicator at Headlight

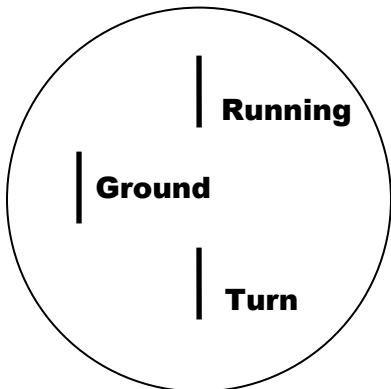
OEM (Running) Brown → White Fab Fours
OEM (Turn) Green → Red Fab Fours
OEM (Ground) Black → Green Fab Fours

Fog Lamp

OEM (Power) Orange/Grey → Red Fab Fours
OEM (Ground) Black → Green Fab Fours

Note: Tap into Fab Fours driver side fog lamp harness to supply passenger side

Hella Turn Indicator Connectors





Installation Instructions

Ford Winch Bumper

Product Number: A1650-A1652

Application: '99-'04 Ford Super Duty

VII. Maintenance/Care

- Periodically check and tighten all fasteners.
- Stripped, fractured, or bent bolts or nuts need to be replaced.

VIII. Contact Information

Fab Fours Inc.
1312 Camp Creek Rd
Lancaster, SC 29720

Phone (866)-385-1905
Fax (866)-574-1424
Email Support@fabfours.com



More than expected... Better than expected

