



# Installation Instructions

## FJ Cruiser Winch Bumper

Product Number: A1750-A1752

Application: '07 Toyota FJ Cruiser

# SAFETY

### Your safety and the safety of others is very important.

- In order to help you make informed decisions about safety, we have provided installation instructions and other information.
- These instructions alert you to potential hazards that could hurt you or others.
- Please do a job safety analysis (JSA) before each task to identify potential hazards for your situation and remove/protect against them.
- You must use your own good judgment, and take your time.

**Read and understand all safety precautions and instructions before installing this product.**

THIS PRODUCT IS FOR OFFROAD USE ONLY. ALL LIABILITY FOR INSTALLATION AND USE RESTS WITH THE OWNER.

**CARELESS INSTALLATION AND OPERATION CAN RESULT IN SERIOUS INJURY OR EQUIPMENT DAMAGE.**

## Injury hazard

### Failure to observe these instructions could lead to severe injury or death.

- Always** remove jewelry and wear eye protection.
- Always** use extreme caution when jacking up a vehicle for work. Set emergency brake and use tire blocks. Locate and use the vehicle manufacturers designated lifting points. Use jack stands.
- Always** use appropriate and adequate care in lifting components into place.
- Always** insure components will remain secure during installation and operation.
- Always** wear safety glasses when installing this kit. A drilling operation will cause flying metal chips. Flying chips can cause serious eye injury.
- Always** use extreme caution when drilling on a vehicle. Thoroughly inspect the area to be drilled (on both sides of material) prior to drilling, and relocate any objects that may be damaged.
- Always** use extreme caution when cutting and trimming during fitting.
- Always** tighten all nuts and bolts securely per installation instructions.
- Always** route electrical cables carefully. Avoid moving parts, components that become hot and rough or sharp edges.
- Always** insulate and protect all exposed wiring and electrical terminals.
- Always** perform regular inspections and maintenance on mounts and related hardware.



# Installation Instructions FJ Cruiser Winch Bumper

Product Number: A1750-A1752  
Application: '07 Toyota FJ Cruiser

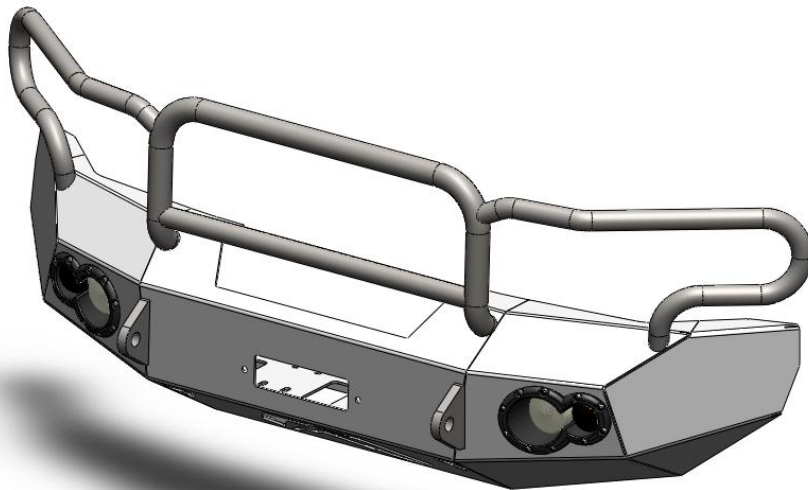
## I. Overview

Congratulations on your new purchase of the industries' best and most stylish Toyota FJ Cruiser Front Winch Bumper! This bumper has been **engineered** for strength while keeping the weight down. It can accept the Warn 9.5ti/si winch... and look cool doing it.

This product has also been **engineered** to allow alignment in three directions plus "castor" so you will end up with a very professional fit.

Your bumper was designed in 3-D from digitized data, CNC laser cut, fabricated, and powder coated... all in the U.S.A.

Enjoy the fit and finish of a quality FJ Front Winch Bumper from Fab Fours Inc!





# Installation Instructions FJ Cruiser Winch Bumper

Product Number: A1750-A1752  
Application: '07 Toyota FJ Cruiser

## II. Tools Required

- Regular Screwdriver
- Phillips Screwdriver
- Electric Hand Grinder
- Socket Wrench With Extension
- 10mm Socket
- 12mm Socket
- 13mm Socket
- 19mm Socket
- 3/4" Socket
- 3/4" Open End Wrench
- 7/16" Open End Wrench
- 3/8" Open End Wrench
- 1/8" Allen Wrench
- 5/32" Allen Wrench
- Hammer
- Tin Snips

## III. Vehicle Preparation

1. Open hood.
2. Remove grill by removing the two outer dart clips and two bolts shown below. Remove clips by prying middle section up and removing clip from hole.



Figure 1



## Installation Instructions FJ Cruiser Winch Bumper

Product Number: A1750-A1752  
Application: '07 Toyota FJ Cruiser

3. Remove grill from vehicle by pulling directly forward (plastic clips hold grill in place) and set aside.



Figure 2

4. Remove five dart clips across the top of the OEM bumper plastic using technique described above.

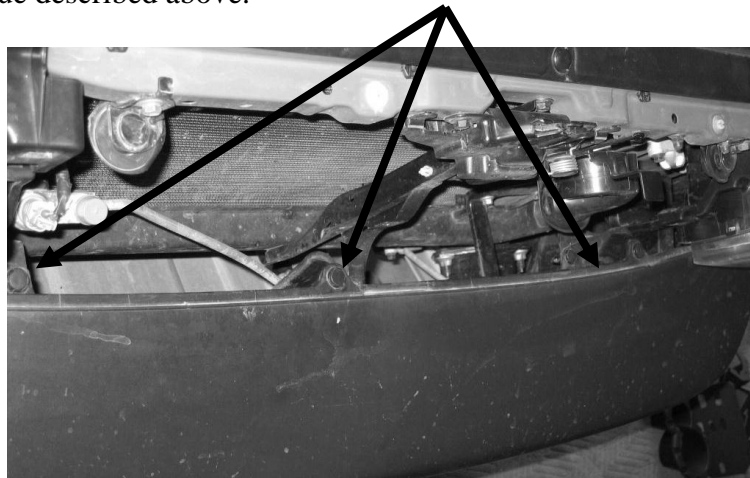


Figure 3



## Installation Instructions FJ Cruiser Winch Bumper

Product Number: A1750-A1752  
Application: '07 Toyota FJ Cruiser

5. Remove two screws in fenderwell using 10mm socket. Repeat for other side.

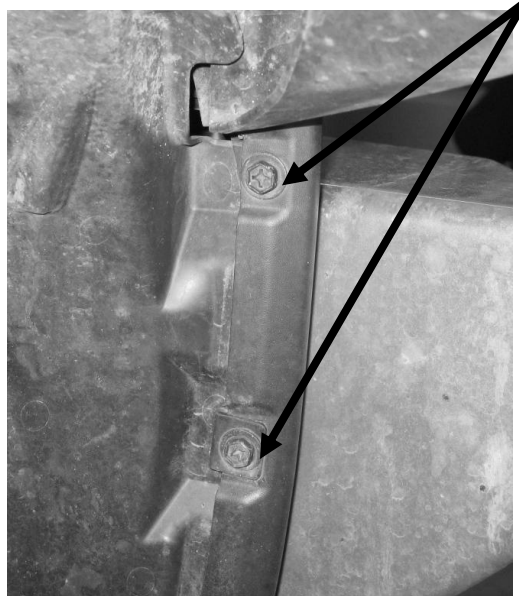


Figure 4

6. If applicable, drop aluminum OEM skid plate by removing six bolts using 12mm socket, skid plate will not be reused.
7. Remove two fasteners from lower bumper plastic mounting tabs as shown below using 10mm socket.



Figure 5



## Installation Instructions FJ Cruiser Winch Bumper

Product Number: A1750-A1752  
Application: '07 Toyota FJ Cruiser

8. Remove the lower OEM skid plate, along with aluminum skid plate front mounts. Retain all hardware as it will be reused later. Upper skid plate mounts will not be reused.



Figure 6

9. remove three 10mm screws on the lower outside edges of the stock bumper (holds the triangular plastic trim). Repeat for other side.



Figure 7



## Installation Instructions FJ Cruiser Winch Bumper

Product Number: A1750-A1752  
Application: '07 Toyota FJ Cruiser

10. Remove OEM bumper plastic by prying plastic off of edge bosses (see arrow) and pulling straight forward.



Figure 8

11. Remove OEM bumper/cross member by removing 4) 14mm nuts (repeat for other side) and pulling bumper off studs.

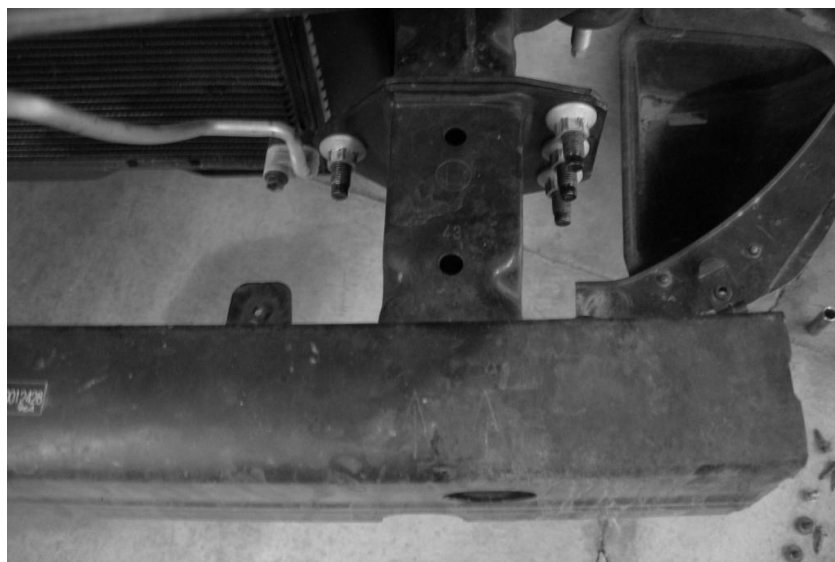


Figure 9



## Installation Instructions FJ Cruiser Winch Bumper

Product Number: A1750-A1752  
Application: '07 Toyota FJ Cruiser

12. Remove OEM front fascia mount by removing three bolts using 10mm socket, one at center of grill support and one on each side of vehicle.



Figure 10

13. Remove pyramidal plastic by removing 10mm screw, repeat for other side.



Figure 11





## Installation Instructions FJ Cruiser Winch Bumper

Product Number: A1750-A1752  
Application: '07 Toyota FJ Cruiser

14. Remove sway bar mount (notice aluminum spacer – not OEM), retain bolts for reinstallation. Let sway bar hang from tie rods.



Figure 12

15. Install the frame reinforcing bracket with the back end in between the frame and the sway bar mount and the front end reaching around the frame flange.

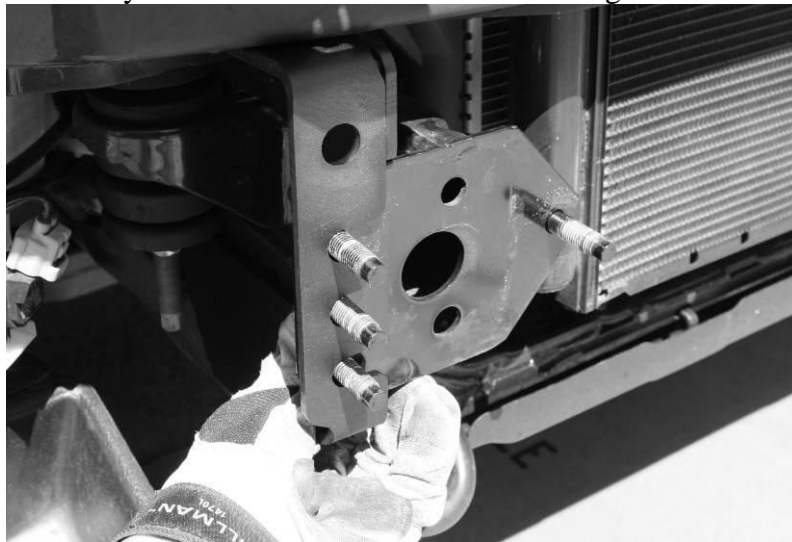


Figure 13

16. Reinstall OEM sway bar mount bolts loosely. Install supplied M12 and M8 screws into the remaining threaded holes on the frame. **NOTE: use a ½ flat washer as a spacer in between the bracket and the frame rail at the M8 fastener location.**



## Installation Instructions FJ Cruiser Winch Bumper

Product Number: A1750-A1752  
Application: '07 Toyota FJ Cruiser

17. Install turn signal into light pockets as shown using self-tapping screws as shown below.

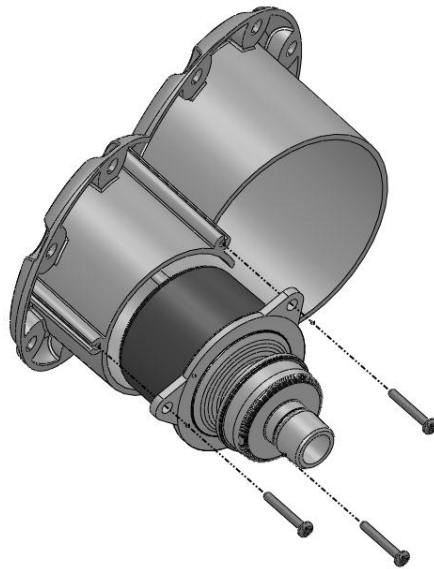


Figure 14

18. Install fog lamp into brackets (right and left) as shown using #8-32 bolts and nyloc nuts.

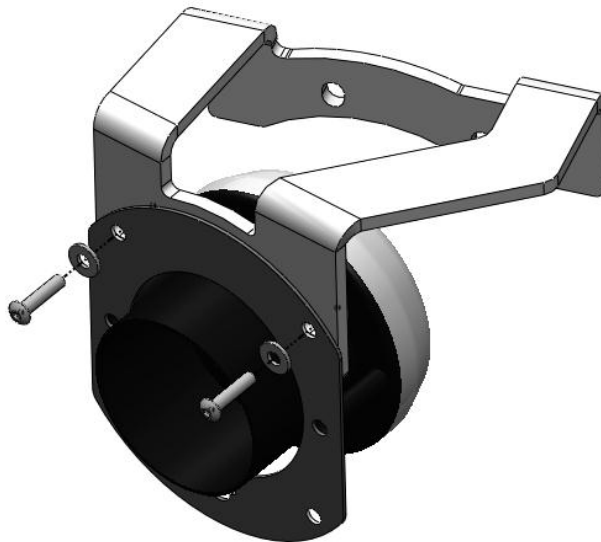


Figure 15



## Installation Instructions FJ Cruiser Winch Bumper

Product Number: A1750-A1752  
Application: '07 Toyota FJ Cruiser

19. Install light pocket into bumper through front face, align corresponding fog lamp/bracket from back side. Secure with 10 (each side) button head screws as shown. Longer screws and Nyloc nuts are used in holes with light insert and light bracket. Repeat for other side.

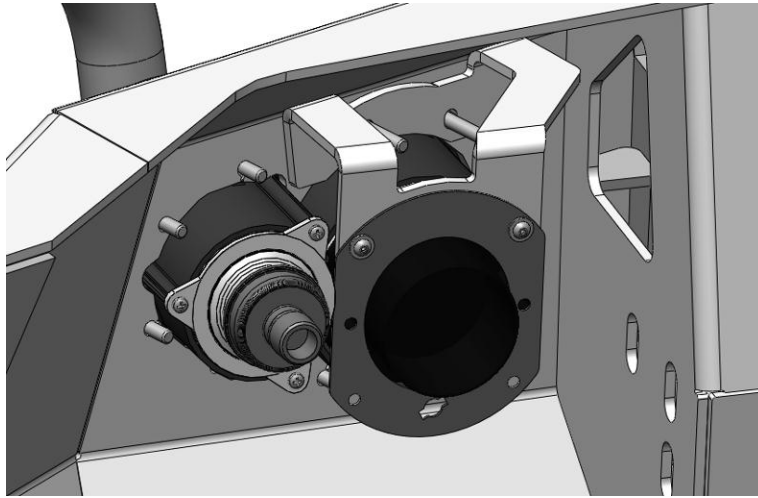


Figure 16

20. Install bumper mounts as shown (bolt strips from outside in). Slide the brackets to the top of the slots in the bumper. Snug the nuts, but do not tighten fully until final adjustments are made.

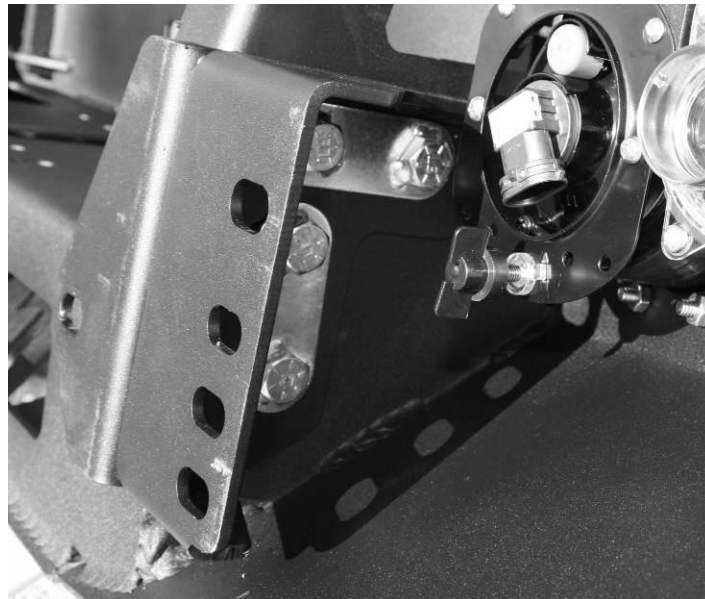


Figure 17



## Installation Instructions FJ Cruiser Winch Bumper

Product Number: A1750-A1752  
Application: '07 Toyota FJ Cruiser

21. Lift bumper onto OEM bumper mounting studs and install OEM nuts. Adjust the side to side alignment of the bumper and tighten the nuts fully.
22. Tighten intermediate mounting bolts fully, including sway bar bracket bolts.
23. Adjust the vertical and in-out alignment of the bumper and fully tighten the nuts on the bolt strips from the inside of the bumper. (If installing an integrated solenoid winch, verify there is enough clearance to the grill before final tightening)
24. Trim OEM Bumper Mounting tab from grill gusset bracket as shown. Be sure to smooth edge to remove any burrs. Touch up with black paint if desired.



Figure 18

25. If installing winch, do so now. Follow instructions provided with winch. Install fairlead onto front of bumper before tightening winch.
26. Reinstall lower OEM skid plate using original hardware.
27. Reinstall OEM grill in reverse order of removal.
28. **Optional:** trim OEM inner fender to match profile of Fab Fours bumper, secure with tie wraps as needed.



# Installation Instructions FJ Cruiser Winch Bumper

Product Number: A1750-A1752  
Application: '07 Toyota FJ Cruiser

## IV. Lights and wiring installation

### Turn Indicator

1. On each side, disconnect light connector and tap into the three turn indicator wires using supplied tap connectors (reference the wiring diagram).



Figure 19

2. Connect supplied turn indicator wiring harnesses to tap connectors following wiring diagram; repeat for other side.

### Headlight

3. **Optional:** Install Hella® light harness per installation instructions provided.
4. Tap into OEM headlight wires (low beam) at the headlight connector following wiring diagram - use two supplied tap connectors. Repeat for other side.
5. Connect supplied fog lamp wiring harness to tap connectors following wiring diagram. Repeat for other side.
6. Connect harnesses to fog lights.



# Installation Instructions FJ Cruiser Winch Bumper

Product Number: A1750-A1752  
Application: '07 Toyota FJ Cruiser

## V. Wiring Diagram

### Passenger Side Turn Indicator at Headlight

OEM (Running) Green → White Fab Fours  
OEM (Turn) Blue/White → Red Fab Fours  
OEM (Ground) White/Blk → Green Fab Fours

### Driver Side Turn Indicator at Headlight

OEM (Running) Green → White Fab Fours  
OEM (Turn) Blue/White → Red Fab Fours  
OEM (Ground) White/Blk → Green Fab Fours

### Driver Fog Lamp

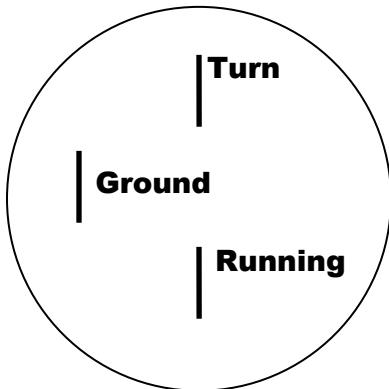
OEM (Power) Red/Yellow → Red Fab Fours  
OEM (Ground) Blue → Green Fab Fours

### Passenger Fog Lamp

OEM (Power) Blue/Red → Red Fab Fours  
OEM (Ground) Red/Wht → Green Fab Fours

**Note: Tap into Fab Fours driver side fog lamp harness to supply passenger side**

### Hella Turn Indicator Connectors





## Installation Instructions FJ Cruiser Winch Bumper

Product Number: A1750-A1752  
Application: '07 Toyota FJ Cruiser

### VI. Maintenance/Care

- Periodically check and tighten all fasteners.
- Stripped, fractured, or bent bolts or nuts need to be replaced.

### VII. Contact Information

Fab Fours Inc.  
1312 Camp Creek Rd  
Lancaster, SC 29720

Phone (866)-385-1905  
Fax (866)-574-1424  
Email [Support@fabfours.com](mailto:Support@fabfours.com)



More than expected... Better than expected