



Installation Instructions

Ford Winch Bumper

Product Number: A1950-A1951
Application: '08-Current Ford Super Duty

SAFETY

Your safety and the safety of others is very important.

- In order to help you make informed decisions about safety, we have provided installation instructions and other information.
- These instructions alert you to potential hazards that could hurt you or others.
- Please do a job safety analysis (JSA) before each task to identify potential hazards for your situation and remove/protect against them.
- You must use your own good judgment, and take your time.

Read and understand all safety precautions and instructions before installing this product.

THIS PRODUCT IS FOR OFFROAD USE ONLY. ALL LIABILITY FOR INSTALLATION AND USE RESTS WITH THE OWNER.

CARELESS INSTALLATION AND OPERATION CAN RESULT IN SERIOUS INJURY OR EQUIPMENT DAMAGE.

Injury hazard

Failure to observe these instructions could lead to severe injury or death.

- Always** remove jewelry and wear eye protection.
- Always** use extreme caution when jacking up a vehicle for work. Set emergency brake and use tire blocks. Locate and use the vehicle manufacturers designated lifting points. Use jack stands.
- Always** use appropriate and adequate care in lifting components into place.
- Always** insure components will remain secure during installation and operation.
- Always** wear safety glasses when installing this kit. A drilling operation will cause flying metal chips. Flying chips can cause serious eye injury.
- Always** use extreme caution when drilling on a vehicle. Thoroughly inspect the area to be drilled (on both sides of material) prior to drilling, and relocate any objects that may be damaged.
- Always** use extreme caution when cutting and trimming during fitting.
- Always** tighten all nuts and bolts securely per installation instructions.
- Always** route electrical cables carefully. Avoid moving parts, components that become hot and rough or sharp edges.
- Always** insulate and protect all exposed wiring and electrical terminals.
- Always** perform regular inspections and maintenance on mounts and related hardware.





Installation Instructions

Ford Winch Bumper

Product Number: A1950-A1951
Application: '08-Current Ford Super Duty

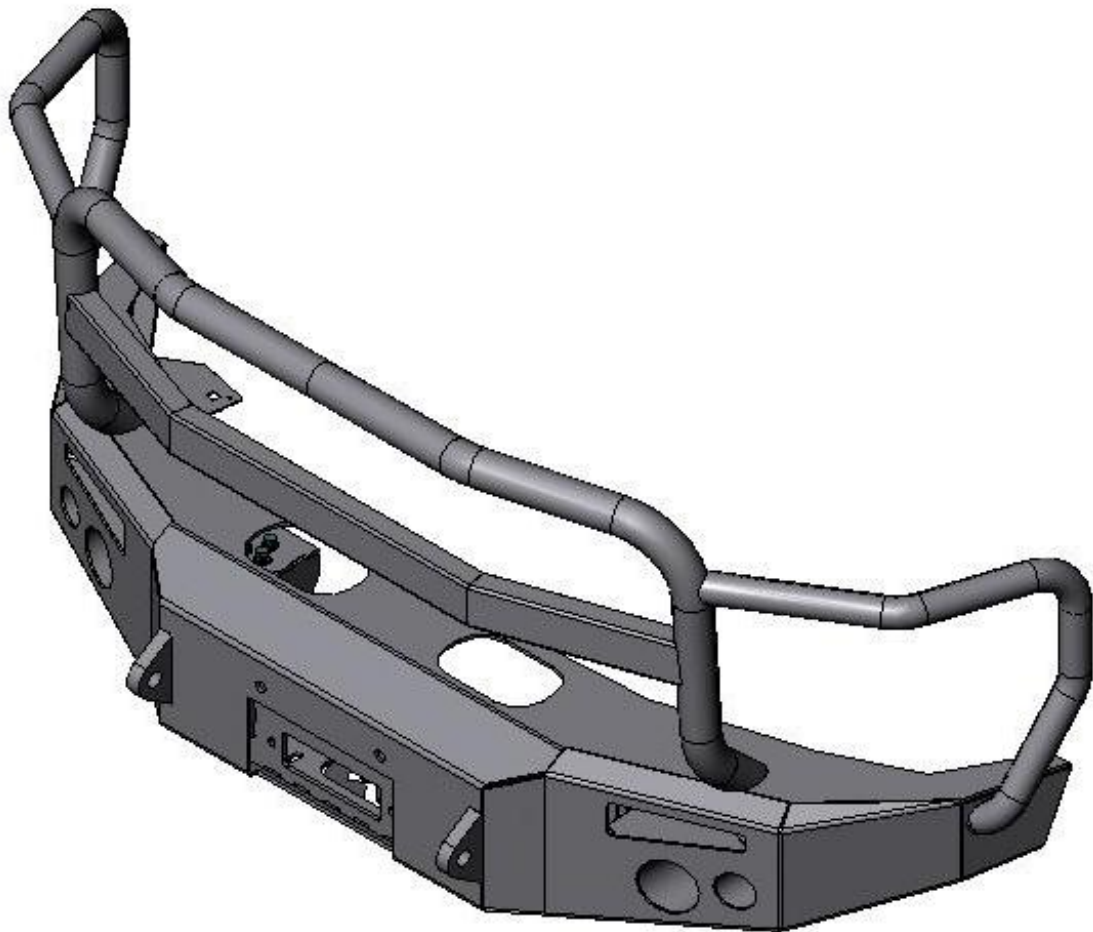
I. Overview

Congratulations on your purchase of the industries' best and most stylish Ford Winch Bumper! This bumper has been **engineered** for strength while keeping the weight down. It can accept the Warn 16.5 winch... and look cool doing it.

This product has also been **engineered** to allow alignment in three directions plus "castor" so you will end up with a very professional fit.

Your bumper was designed in 3-D from digitized data, CNC laser cut, fabricated, and powder coated... all in the U.S.A.

Enjoy the fit and finish of a quality Ford Winch Bumper from Fab Fours Inc!





Installation Instructions
Ford Winch Bumper
Product Number: A1950-A1951
Application: '08-Current Ford Super Duty

II. Parts List





Installation Instructions

Ford Winch Bumper

Product Number: A1950-A1951
Application: '08-Current Ford Super Duty

III. Tools Required

- Socket Wrench With Extension
- 5/32" Allen Wrench
- 1/8" Allen Wrench
- 18mm Socket
- 3/4" Socket
- 3/4" Open End Wrench
- 7/16" Open End Wrench
- 3/8" Open End Wrench
- 7/32" Socket
- Phillips Screwdriver

IV. Vehicle Preparation

- A) Disconnect factory fog lamp connectors, zip tie harness to frame.
- B) Loosen fasteners holding OEM bumper to frame.

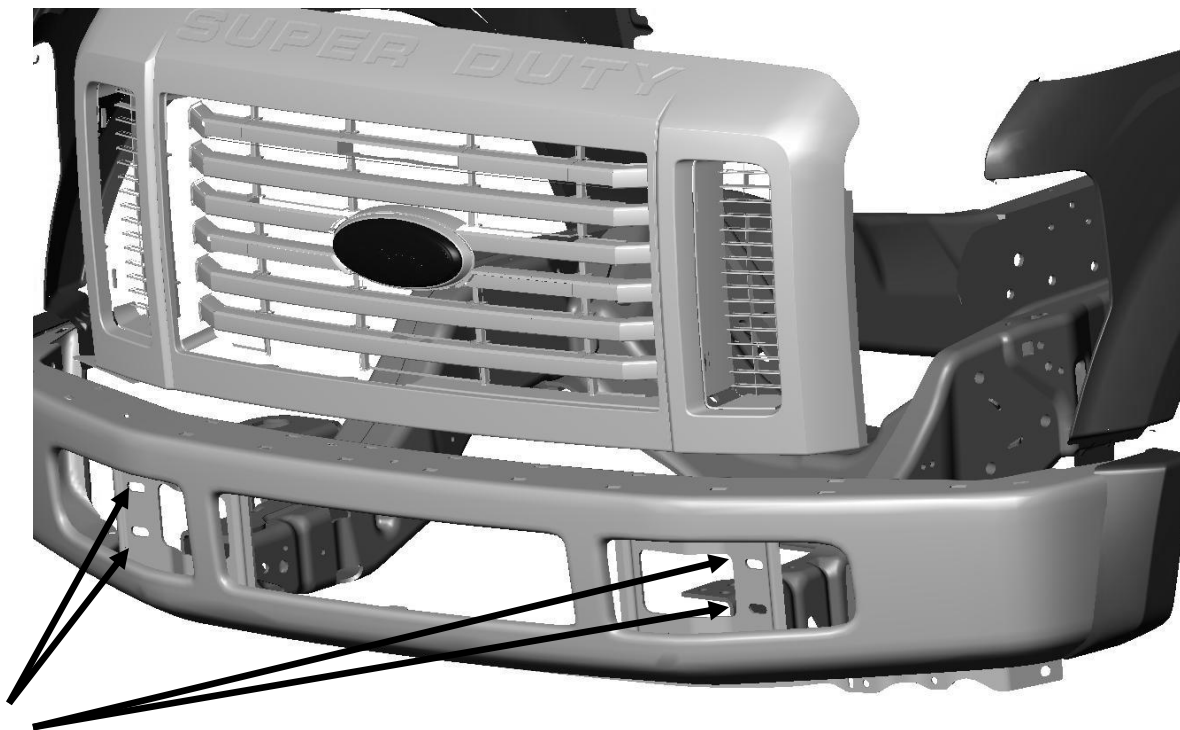


Figure 1





Installation Instructions

Ford Winch Bumper

Product Number: A1950-A1951
Application: '08-Current Ford Super Duty

- ❑ C) Remove fastener holding Hood Release Lever to OEM front bumper.



Figure 2

- ❑ D) Remove OEM bumper assembly and set aside.
- ❑ E) Remove OEM Tow Hooks and set aside.



Figure 3





Installation Instructions

Ford Winch Bumper

Product Number: A1950-A1951
Application: '08-Current Ford Super Duty

V. Lights and Wiring Installation

- ❑ A) Remove headlights following procedure in owners manual. On each side, tap into the three turn indicator wires using supplied tap connectors (reference the wiring diagram).
- ❑ B) Connect supplied turn indicator wiring harnesses to tap connectors following wiring diagram; repeat for other side.
- ❑ C) Replace headlights and grill in reverse order of removal.
- ❑ D) Tap into OEM fog light harness following wiring diagram using two supplied tap connectors.
- ❑ E) Connect supplied fog lamp wiring harness to tap connectors following wiring diagram.
- ❑ F) Run passenger side fog lamp supply wires across bottom of bumper and tap into Fab Fours driver side fog lamp wires.
- ❑ G) Install turn indicators into outside bumper light pockets using three self-tapping screws per side.

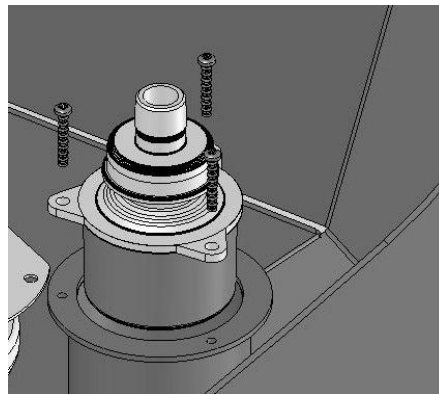


Figure 4





Installation Instructions

Ford Winch Bumper

Product Number: A1950-A1951
Application: '08-Current Ford Super Duty

- H) Install fog lamp brackets onto inner light pockets using two ¼" bolts and nuts per side and attach running light to bracket as shown using two #10-32 bolts, washers, and nuts per side. Verify proper alignment of lights (adjuster down) before fully tightening.

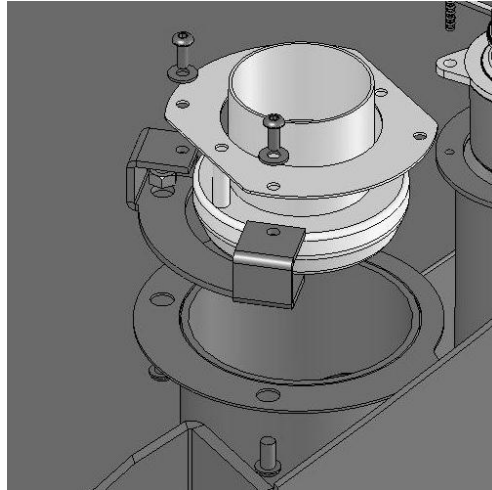


Figure 5

- I) Do not connect wiring harnesses to lights until bumper is installed.





Installation Instructions

Ford Winch Bumper

Product Number: A1950-A1951
Application: '08-Current Ford Super Duty

VI. Bumper Installation

- ❑ A) Install frame mount onto bumper assembly using three bolts as shown. Note: mounting bolts must be oriented as shown for installation. Do not fully tighten, repeat for other side.

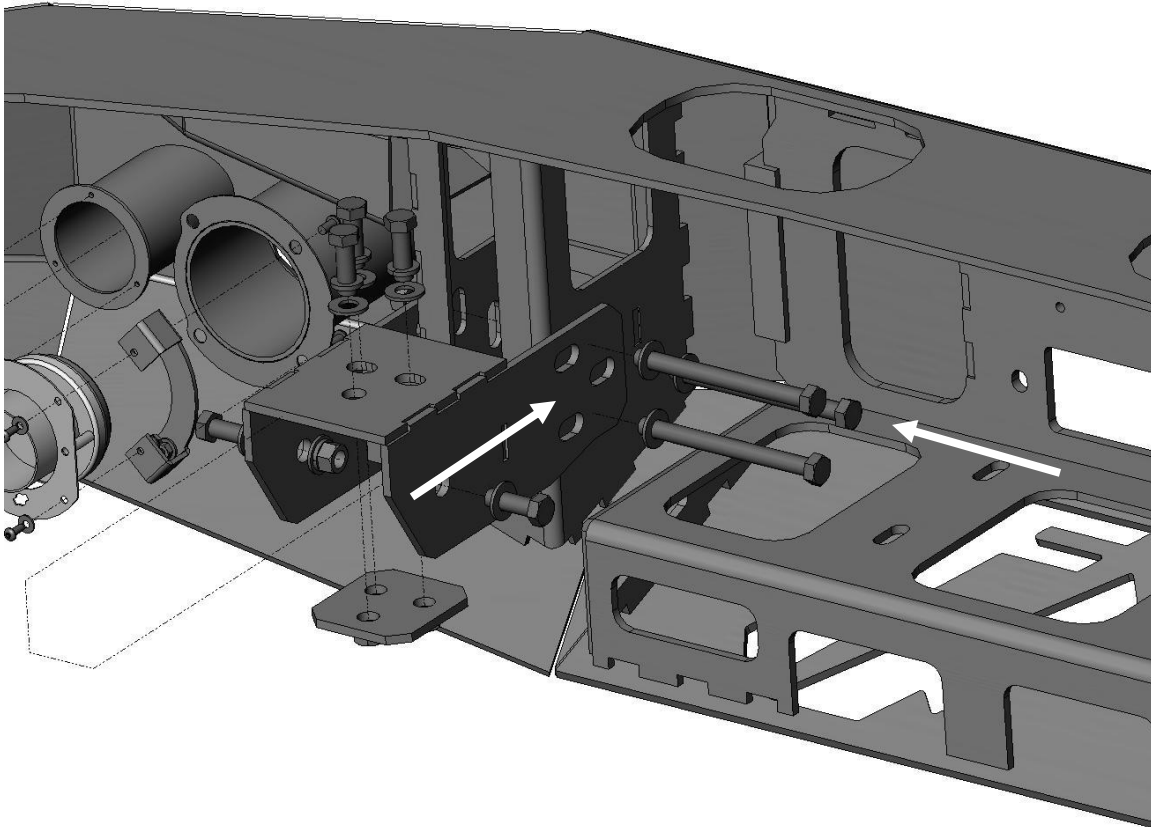


Figure 6





Installation Instructions

Ford Winch Bumper

Product Number: A1950-A1951
Application: '08-Current Ford Super Duty

- ❑ **Optional:** If installing winch and roller fairlead into bumper, do it at this time. Bottom bolts (not provided) go through fairlead, then into winch. Thread 7/16" socket head cap screws through holes in front bumper and into winch body.

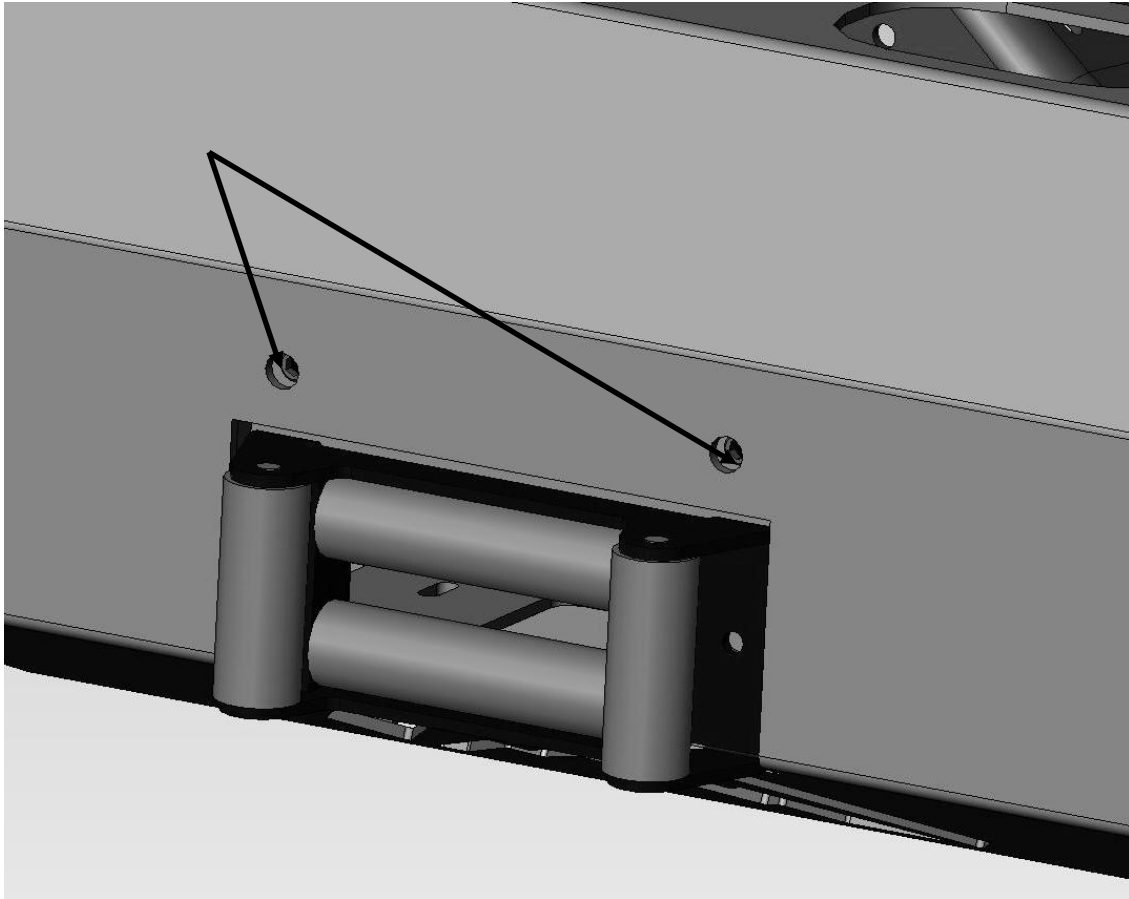


Figure 7





Installation Instructions

Ford Winch Bumper

Product Number: A1950-A1951
Application: '08-Current Ford Super Duty

- B) Lift bumper/mount assembly and align with frame. Insert nut plate into frame as shown. Insert three bolts (from top) through mount, frame, and into nut plate. Do not fully tighten. Repeat for other side.

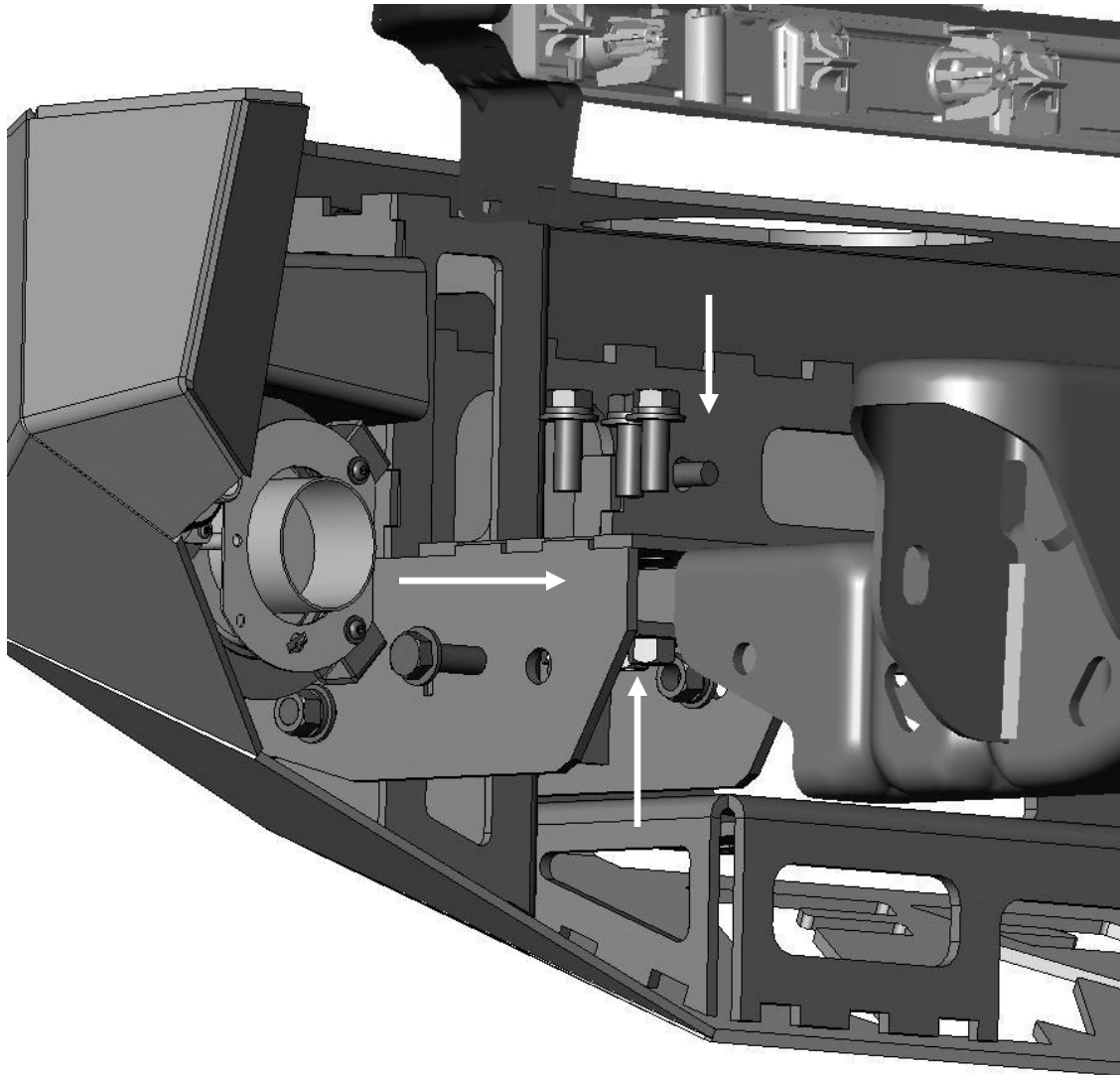


Figure 8





Installation Instructions

Ford Winch Bumper

Product Number: A1950-A1951
Application: '08-Current Ford Super Duty

- ❑ C) Install side mount bolts (two per mount) as shown. Secure with washer, lock washer, and nut (from inside of frame). Do not fully tighten. Repeat for other side.

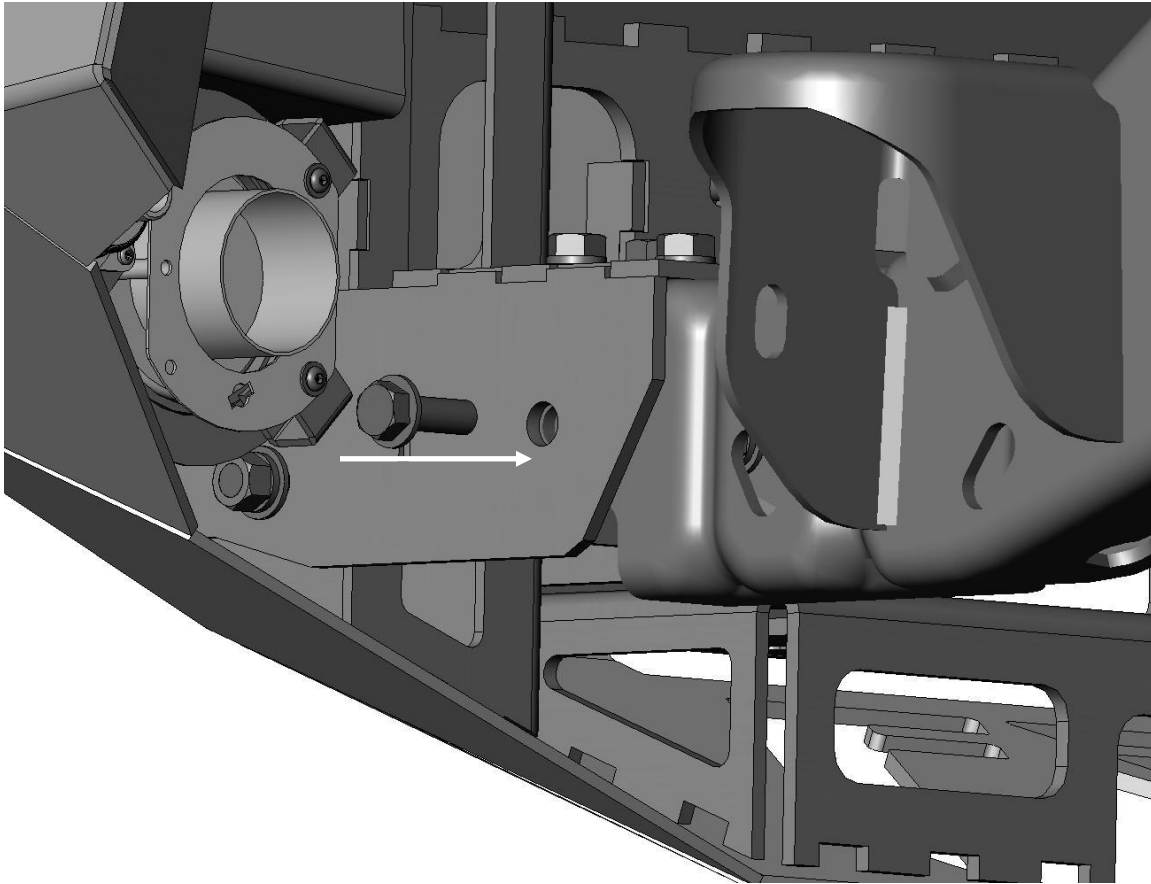


Figure 9

- ❑ C) Adjust the bumper to achieve good visual alignment as follows:
 1. Adjust “castor”, in/out, and vertical alignment with mounting bracket.
- ❑ F) Tighten all fasteners fully; beginning with frame mounts. Then tighten all mount-to-bumper fasteners.
- ❑ G) Connect wiring harnesses to lights as shown in wiring diagram.





Installation Instructions
Ford Winch Bumper
 Product Number: A1950-A1951
 Application: '08-Current Ford Super Duty

- ❑ **H)** Verify proper operation of lights. **Note:** Turn indicators should be dim during “running” condition and flash bright for turn.

VII. Wiring Diagram

Driver Side Turn Indicator at Headlight

OEM (Running) Brown →White Fab Fours
 OEM (Turn) Green/White→Red Fab Fours **UPDATE**
 OEM (Ground) Black→Green Fab Fours

Passenger Side Turn Indicator at Headlight

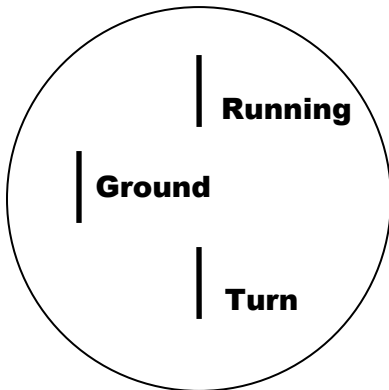
OEM (Running) Brown →White Fab Fours
 OEM (Turn) White/Blue→Red Fab Fours **UPDATE**
 OEM (Ground) Black →Green Fab Fours

Fog Lamp

OEM (Power) Orange/Grey →Red Fab Fours **UPDATE**
 OEM (Ground) Black →Green Fab Fours

Note: Tap into Fab Fours driver side fog lamp harness to supply passenger side

Hella Turn Indicator Connectors





Installation Instructions
Ford Winch Bumper
Product Number: A1950-A1951
Application: '08-Current Ford Super Duty

VIII. Maintenance/Care

- Periodically check and tighten all fasteners.
- Stripped, fractured, or bent bolts or nuts need to be replaced.

IX. Contact Information

Fab Fours Inc.
1312 Camp Creek Rd
Lancaster, SC 29720

Phone (866)-385-1905
Fax (866)-574-1424
Email Support@fabfours.com



More than expected... Better than expected

