



Installation Instructions

Chevy Winch Bumper

Product Number: A2750-A2752

Application: '11 Chevy 2500-3500 HD

SAFETY

Your safety and the safety of others is very important.

- In order to help you make informed decisions about safety, we have provided installation instructions and other information.
- These instructions alert you to potential hazards that could hurt you or others.
- Please do a job safety analysis (JSA) before each task to identify potential hazards for your situation and remove/protect against them.
- You must use your own good judgment, and take your time.

Read and understand all safety precautions and instructions before installing this product.

THIS PRODUCT IS FOR OFFROAD USE ONLY. ALL LIABILITY FOR INSTALLATION AND USE RESTS WITH THE OWNER.

CARELESS INSTALLATION AND OPERATION CAN RESULT IN SERIOUS INJURY OR EQUIPMENT DAMAGE.

Injury hazard

Failure to observe these instructions could lead to severe injury or death.

- Always** remove jewelry and wear eye protection.
- Always** use extreme caution when jacking up a vehicle for work. Set emergency brake and use tire blocks. Locate and use the vehicle manufacturers designated lifting points. Use jack stands.
- Always** use appropriate and adequate care in lifting components into place.
- Always** insure components will remain secure during installation and operation.
- Always** wear safety glasses when installing this kit. A drilling operation will cause flying metal chips. Flying chips can cause serious eye injury.
- Always** use extreme caution when drilling on a vehicle. Thoroughly inspect the area to be drilled (on both sides of material) prior to drilling, and relocate any objects that may be damaged.
- Always** use extreme caution when cutting and trimming during fitting.
- Always** tighten all nuts and bolts securely per installation instructions.
- Always** route electrical cables carefully. Avoid moving parts, components that become hot and rough or sharp edges.
- Always** insulate and protect all exposed wiring and electrical terminals.
- Always** perform regular inspections and maintenance on mounts and related hardware.



Installation Instructions

Chevy Winch Bumper

Product Number: A2750-A2752

Application: '11 Chevy 2500-3500 HD

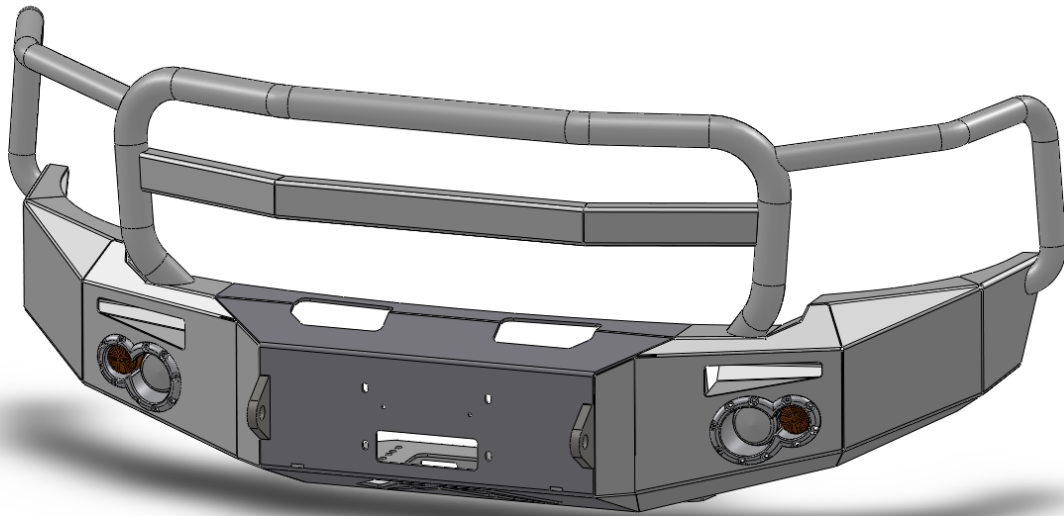
I. Overview

Congratulations on your purchase of the industries' best and most stylish Chevy Winch Bumper! This bumper has been **engineered** for strength while keeping the weight down. It can accept the Warn 16.5 winch... and look cool doing it.

This product has also been **engineered** to allow alignment in three directions plus "castor" so you will end up with a very professional fit.

Your bumper was designed in 3-D from digitized data, CNC laser cut, fabricated, and powder coated... all in the U.S.A.

Enjoy the fit and finish of a quality Chevy Winch Bumper from Fab Fours Inc!





Installation Instructions

Chevy Winch Bumper

Product Number: A2750-A2752

Application: '11 Chevy 2500-3500 HD

II. Tools Required

- Multi meter or circuit test light
- Socket Wrench With Extensions
- 5/32" Allen Wrench
- 1/8" Allen Wrench
- 10mm Socket
- 15mm Socket
- 18mm Socket
- 21mm Deep Socket
- 7/32" Socket
- 3/4" Socket
- 18mm Open End Wrench
- 3/4" Open End Wrench
- 7/16" Open End Wrench
- 3/8" Open End Wrench
- Phillips Screwdriver
- Hammer

III. Vehicle Preparation

1. Detach the splash mat from the body by removing the 3 plastic push clips from the center splash guard and outer cooling supports.

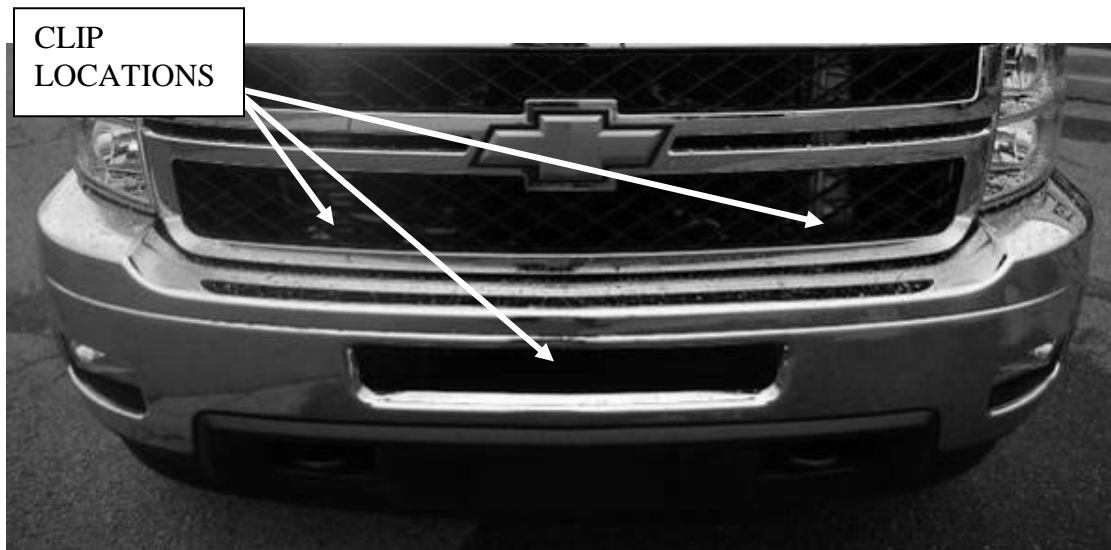


Figure 1 – Clip Locations

2. Remove the two screws per side connecting the plastic inner fender to the bumper. (10mm)



Installation Instructions

Chevy Winch Bumper

Product Number: A2750-A2752

Application: '11 Chevy 2500-3500 HD

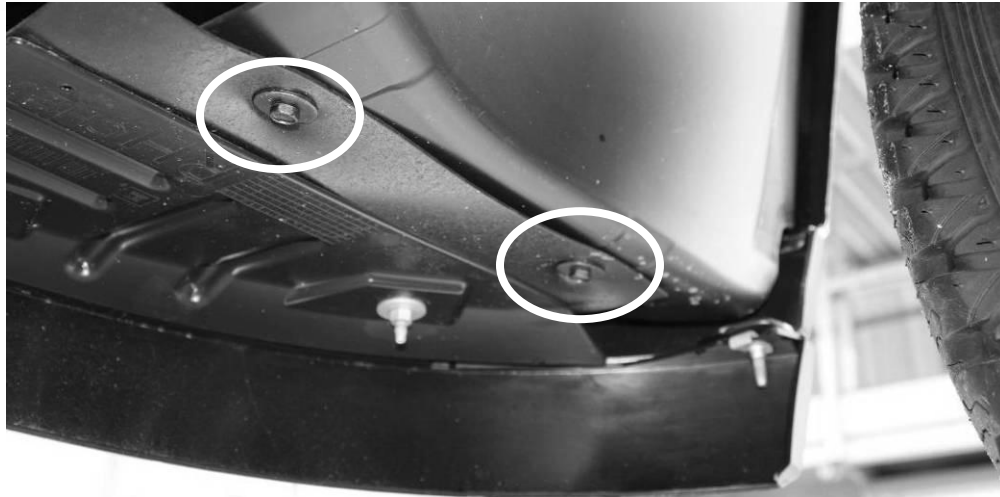


Figure 2 - Screw Locations

3. Disconnect the wiring harness from both fog lights.
4. Remove the two screws connecting the outer bumper support bar to the body mount bracket (15mm). Loosen the screw connecting the outer bumper support bar to the bumper (15mm), allowing it to rotate downward



Figure 3 – Outer Bumper Support Screws



Installation Instructions

Chevy Winch Bumper

Product Number: A2750-A2752

Application: '11 Chevy 2500-3500 HD

5. Remove the two fasteners per tow hook (18mm) and pull tow hook out from the front of the truck.
6. Remove the two main bumper bracket nuts per side. **DO NOT REMOVE THE BOLT STRIPS WITHOUT SUPPORTING THE BUMPER.**

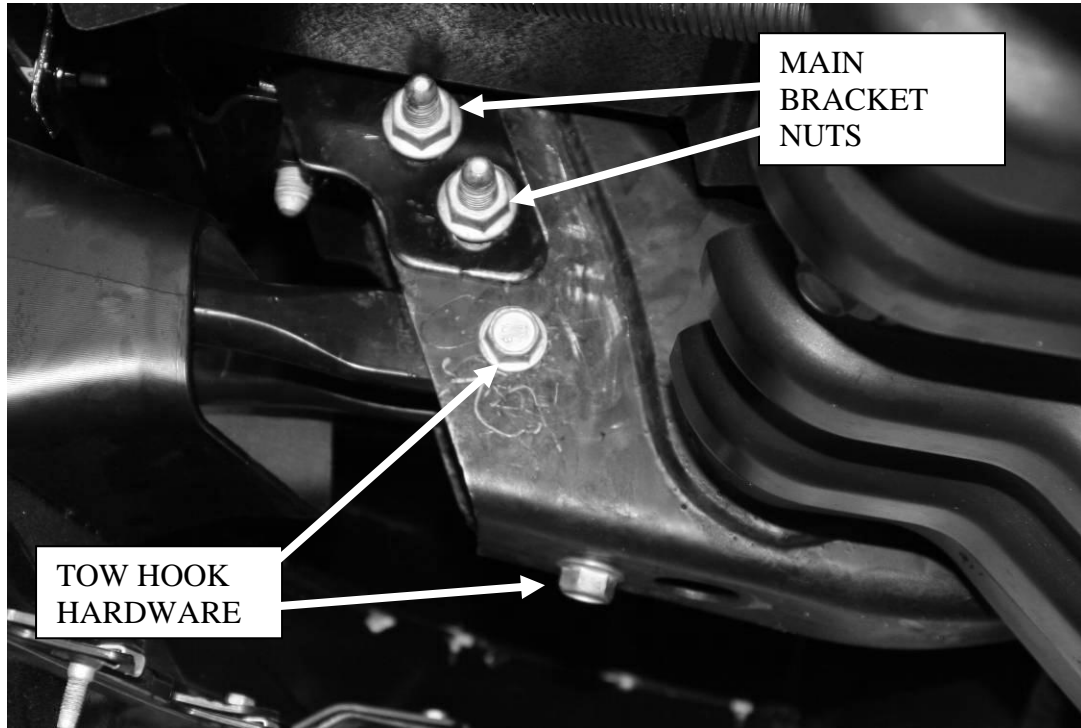


Figure 4 - Tow Hook and Main Bracket Hardware

7. With the weight of the bumper supported, remove the stud plates and pull the bumper forward away from the truck.



Installation Instructions

Chevy Winch Bumper

Product Number: A2750-A2752

Application: '11 Chevy 2500-3500 HD

IV. Lights and Wiring Installation

1. Remove headlights following procedure in owner's manual. On each side, tap into the three turn indicator wires using supplied tap connectors.
2. Connect supplied turn indicator wiring harnesses to factory wires using supplied tap connectors; See below for wire color guide on Fab Fours turn signal. Use a multi-meter or test light to determine the correct location for each wire
3. Replace headlights in reverse order of removal.
4. Tap into OEM fog light harness using two supplied tap connectors.
5. Connect supplied fog lamp wiring harness to tap connectors.
6. Run passenger side fog lamp supply wires across bottom of bumper and tap into Fab Fours driver side fog lamp wires.
7. Install turn indicators into the plastic light insert using three self-tapping screws as shown below:

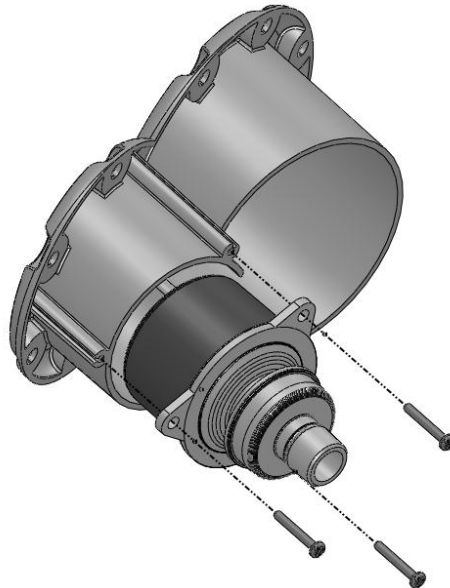


Figure 5 – Turn Signal Installation



Installation Instructions

Chevy Winch Bumper

Product Number: A2750-A2752

Application: '11 Chevy 2500-3500 HD

8. Install the light inserts with turn indicators into the cutout in the bumper. Use the $\frac{3}{4}$ " length $\frac{1}{4}$ " stainless steel button head, $\frac{1}{4}$ " washers and hex nuts to fasten the insert through the holes shown below:

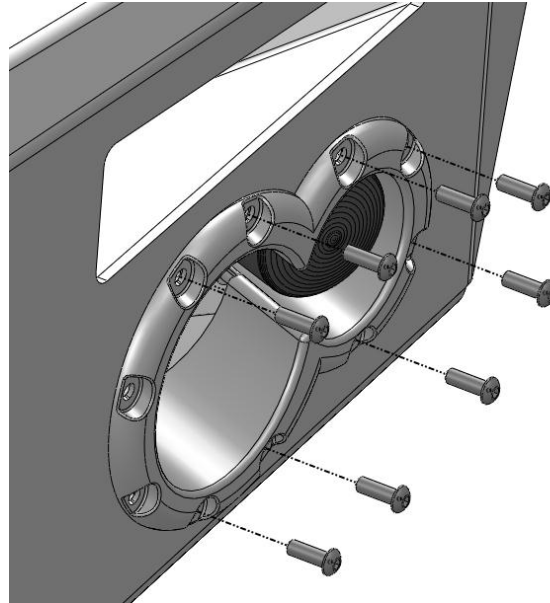


Figure 6 – Light Insert Installation

9. Install the Fab Fours fog lights onto the mounting brackets as shown below using the #8 button head screws, washers, and nylock hex nuts.

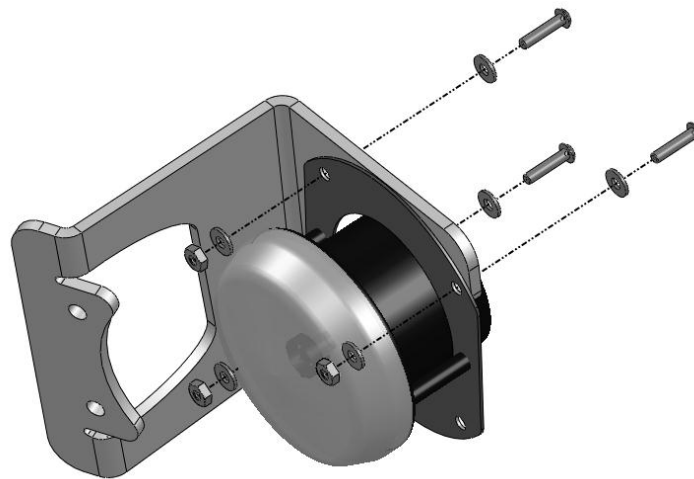


Figure 7 - Fog Light to Bracket Installation



Installation Instructions

Chevy Winch Bumper

Product Number: A2750-A2752

Application: '11 Chevy 2500-3500 HD

10. Install the fog light and bracket into the bumper using the remaining two holes available in the light insert. Use the 1-1/2" length 1/4" stainless steel button heads with 1/4" washers and nylock nuts:

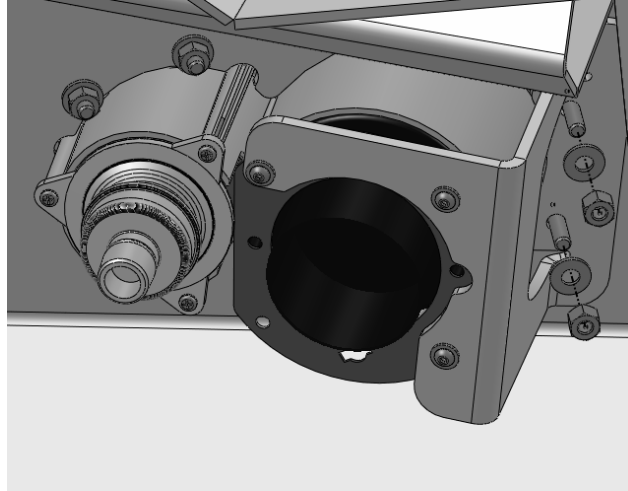
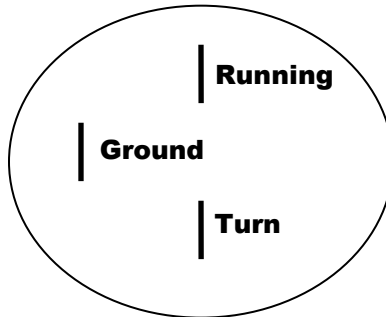


Figure 8 - Fog Light Installation

11. Repeat steps 7-10 for other side.

- Do not connect wiring harnesses to lights until bumper is installed.

Turn Indicator Connectors



WIRE COLORS:

WIRE

FAB FOURS COLOR

Running	—————→	White
Turn	—————→	Red
Ground	—————→	Green



Installation Instructions

Chevy Winch Bumper

Product Number: A2750-A2752

Application: '11 Chevy 2500-3500 HD

V. Bumper Installation

- **Optional:** If installing winch and roller fairlead into bumper, do it at this time. Follow the winch manufacturer's instructions for installation. If you are installing a winch with a pulling capacity of 12,000 lbs. or greater, the front face mounting holes must be used.

If not installing a winch, a license plate may be installed onto the front face of the bumper using the provided 1/4" hardware.

NOTE: IF INSTALLING A WARN 12,000lb+ WINCH, IT IS RECOMMENDED THAT THE ENGAGE/DISENGAGE HANDLE BE ROTATED FORWARD FOR CLEARANCE OF THE OEM PIPING

1. Install intermediate mount onto the frame rail using the OEM bumper stud plates and nuts, and 1/2" x 1.5 bolts, washers, lock washers and nuts provided in the hardware kit (labeled 86169-HW). The offset portion of the bracket should face the outside of the truck. Be sure stud plates are re installed in the factory direction. **DO NOT FULLY TIGHTEN**, repeat for other side.

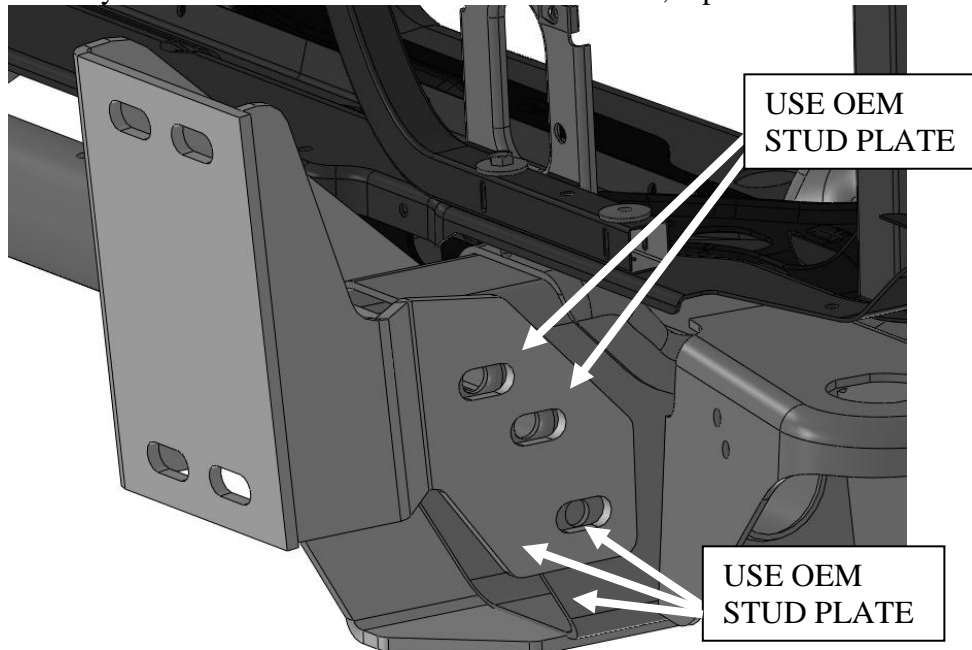


Figure 9 - Intermediate Bracket Installation (Driver Side)



Installation Instructions

Chevy Winch Bumper

Product Number: A2750-A2752

Application: '11 Chevy 2500-3500 HD

2. Insert the provided stud plate assemblies through the back of the bumper mount face as shown below.

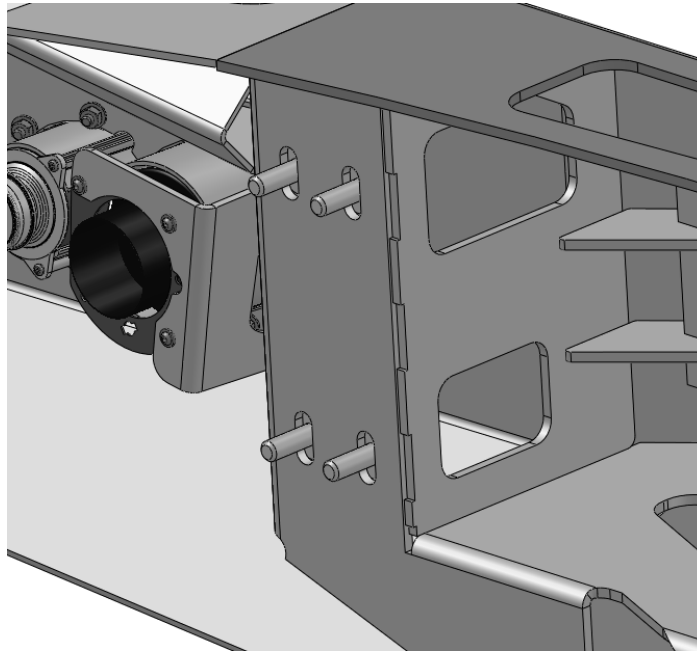


Figure 10 – Stud Plate Orientation

3. Lift the bumper and carefully inert the studs into the slots on the mounting brackets. With the bumper supported, install four nuts, washers, and lock washers per side onto the studs. **DO NOT FULLY TIGHTEN**

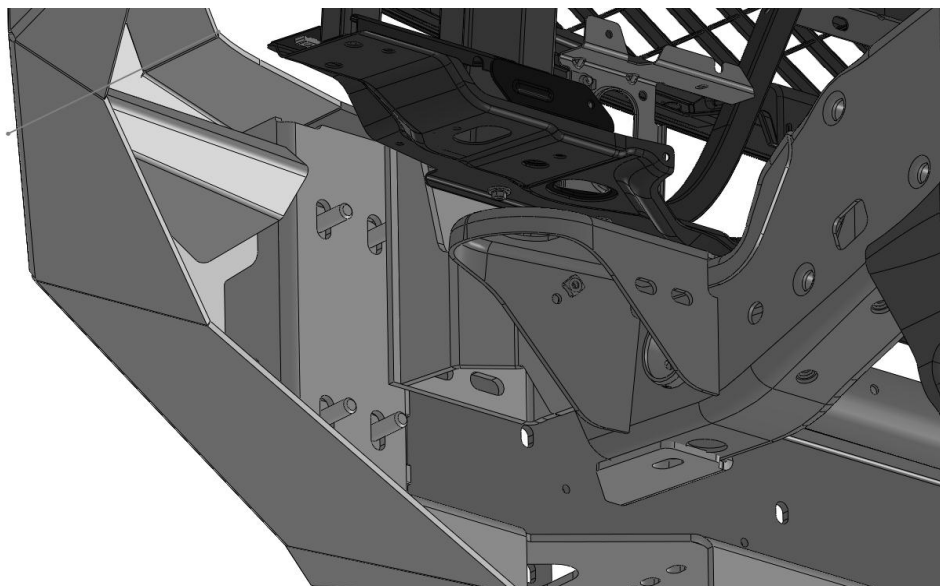


Figure 11 – Bumper Installation



Installation Instructions

Chevy Winch Bumper

Product Number: A2750-A2752

Application: '11 Chevy 2500-3500 HD

4. Adjust the bumper to achieve good visual alignment as follows:
 1. Adjust in/out bumper alignment with mounting bracket to frame hardware.
 2. Adjust up/down and left/right alignment with bumper to mounting bracket hardware
5. Tighten all fasteners fully; beginning with frame mounts. Then tighten all mount-to-bumper fasteners.
6. Connect wiring harnesses to lights as shown in wiring diagram.
7. Verify proper operation of lights. **Note:** Turn indicators should be dim during “running” condition and flash bright for turn.



Installation Instructions

Chevy Winch Bumper

Product Number: A2750-A2752

Application: '11 Chevy 2500-3500 HD

VI. Maintenance/Care

- Periodically check and tighten all fasteners.
- Stripped, fractured, or bent bolts or nuts need to be replaced.

VII. Contact Information

Fab Fours Inc.
1312 Camp Creek Rd.
Lancaster, SC 29720

Phone (866)-385-1905
Fax (866)-574-1424
Email Support@fabfours.com



More than expected... Better than expected