



Installation Instructions

2004+ Nissan Titan Front Winch Bumper

Product Number: H1751-H1752
Application: 2004-Current Nissan Titan

SAFETY

Your safety and the safety of others is very important.

- In order to help you make informed decisions about safety, we have provided installation instructions and other information.
- These instructions alert you to potential hazards that could hurt you or others.
- Please do a job safety analysis (JSA) before each task to identify potential hazards for your situation and remove/protect against them.
- You must use your own good judgment, and take your time.

Read and understand all safety precautions and instructions before installing this product.

THIS PRODUCT IS FOR OFFROAD USE ONLY. ALL LIABILITY FOR INSTALLATION AND USE RESTS WITH THE OWNER.

CARELESS INSTALLATION AND OPERATION CAN RESULT IN SERIOUS INJURY OR EQUIPMENT DAMAGE.

Injury hazard

Failure to observe these instructions could lead to severe injury or death.

- Always** remove jewelry and wear eye protection.
- Always** use extreme caution when jacking up a vehicle for work. Set emergency brake and use tire blocks. Locate and use the vehicle manufacturers designated lifting points. Use jack stands.
- Always** use appropriate and adequate care in lifting components into place.
- Always** insure components will remain secure during installation and operation.
- Always** wear safety glasses when installing this kit. A drilling operation will cause flying metal chips. Flying chips can cause serious eye injury.
- Always** use extreme caution when drilling on a vehicle. Thoroughly inspect the area to be drilled (on both sides of material) prior to drilling, and relocate any objects that may be damaged.
- Always** use extreme caution when cutting and trimming during fitting.
- Always** tighten all nuts and bolts securely per installation instructions.
- Always** route electrical cables carefully. Avoid moving parts, components that become hot and rough or sharp edges.
- Always** insulate and protect all exposed wiring and electrical terminals.
- Always** perform regular inspections and maintenance on mounts and related hardware.





Installation Instructions

2004+ Nissan Titan Front Winch Bumper

Product Number: H1751-H1752
Application: 2004-Current Nissan Titan

I. Overview

Congratulations on your purchase of the industries' best and most stylish Nissan Titan Winch Bumper! This bumper has been **engineered** for strength while keeping the weight down. It can accept the Warn M12000 winch... and look cool doing it.

This product has also been **engineered** to allow alignment in three directions plus "caster" so you will end up with a very professional fit.

Your bumper was designed in 3-D from digitized data, CNC laser cut, fabricated, and powder coated... all in the U.S.A.

Enjoy the fit and finish of a quality Nissan Titan Winch Bumper from Fab Fours Inc!





Installation Instructions

2004+ Nissan Titan Front Winch Bumper

Product Number: H1751-H1752
Application: 2004-Current Nissan Titan

II. Tools Required

- Standard and Metric Sockets, Wrench, and Extension
- 12mm ratcheting wrench.
- Phillips Screwdriver
- Floor Jack and wood block.

III. Vehicle Preparation

A. Disconnect the fog light harnesses from the fog lights and secure out of harm's way.

B. Open hood.

C. Using a 12mm socket remove bolts holding the support braces between the frame and the outside sections of the bumper.



D. Using a 14mm socket and extension remove the bolt located inside the tow hook area on either side.





Installation Instructions

2004+ Nissan Titan Front Winch Bumper
Product Number: H1751-H1752
Application: 2004-Current Nissan Titan



E. Using a 17mm socket remove the two bolts holding the bumper brackets to the outside of the frame on each side.



F. With the bumper loose and rotated forward and down a





Installation Instructions

2004+ Nissan Titan Front Winch Bumper

Product Number: H1751-H1752

Application: 2004-Current Nissan Titan

little use a 12mm ratcheting wrench to remove the two bolts per side holding the bumper support to the top of the bumper.



G. With someone holding the holding the OEM bumper in place remove each bumper support bracket.

H. Remove Bumper from truck.

I. Remove Tow Hooks using a 17mm socket and set aside.

J. Your Truck is now Ready for Installation of your New Fab Fours Bumper!





Installation Instructions

2004+ Nissan Titan Front Winch Bumper

Product Number: H1751-H1752
Application: 2004-Current Nissan Titan

IV. Lights and Wiring Installation

A. Turn Indicator Wiring

1. Unplug the factory headlight harness, one per side, located behind the grill and loosen the harness so you can access it below the grill. See Image Below.



2. With the Harness now accessible below the grill cut away some of the wire loom protecting the wire down as close to the frame as possible in a location easy to work with, be cautious not to damage the wire.
3. Complete Step 1 & 2 for the opposite side.
4. Separate the clear lens portion of the supplied turn signals from the grey housing with the wiring pigtail harness.





Installation Instructions

2004+ Nissan Titan Front Winch Bumper

Product Number: H1751-H1752

Application: 2004-Current Nissan Titan

5. Tap into the Factory Wiring harness using the color codes below.

a) **Driver Turn Signal is green with Black Tracer and should connect to the Red wire on the Fab Fours Supplied Harness.**

b) **Driver Running light is Red with a blue Tracer and should connect to the White wire on the Fab Fours Supplied Harness.**

c) **Driver and Passenger Side Ground wires are Black and should connect to the Green wire on the Fab Fours Supplied Harness.**

d) **Passenger Side Turn is Green with Yellow Tracer and should connect to the Red wire on the Fab Fours Supplied Harness.**

e) **Passenger Side Running Light is Red with a Blue Tracer and should connect to the White wire on the Fab Fours Supplied Harness.**

6. Secure the Grey Housing out of the way of bumper installation along the frame rails.

B. Install turn signal into light pockets as shown using self-tapping screws as shown below.





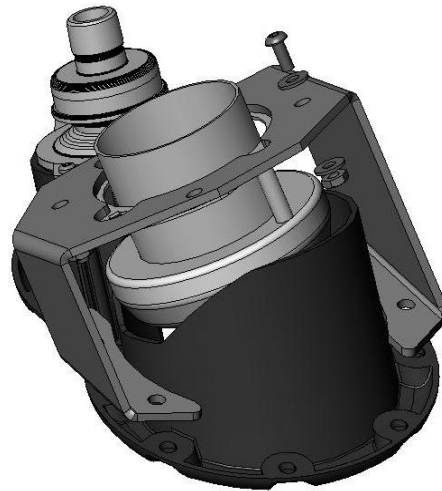
Installation Instructions

2004+ Nissan Titan Front Winch Bumper

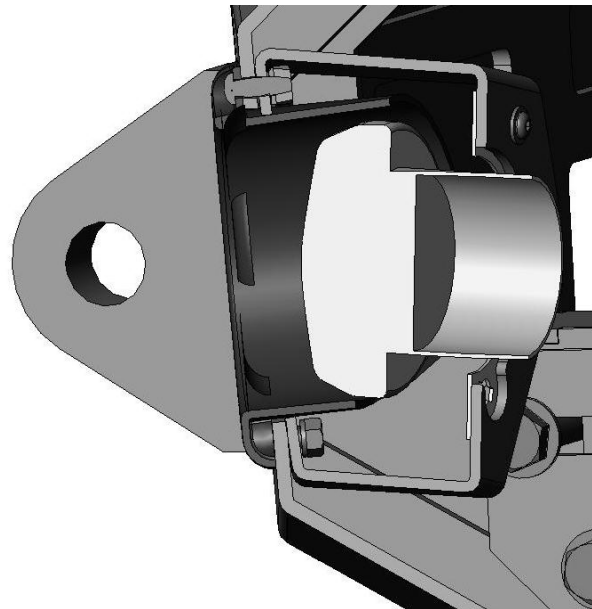
Product Number: H1751-H1752

Application: 2004-Current Nissan Titan

C. Install fog lamp into brackets as shown using #10-32 bolts and nuts. Be sure to align large cutout in light bracket with adjuster screw on light assembly, with the large cutout on the light insert.



D. Install light pocket into bumper through front face, align corresponding fog lamp/bracket from back side. Secure with 10 (each side) button head screws as shown. Verify that light alignment adjusters are on bottom of light assembly. Repeat for other side.





Installation Instructions

2004+ Nissan Titan Front Winch Bumper

Product Number: H1751-H1752
Application: 2004-Current Nissan Titan

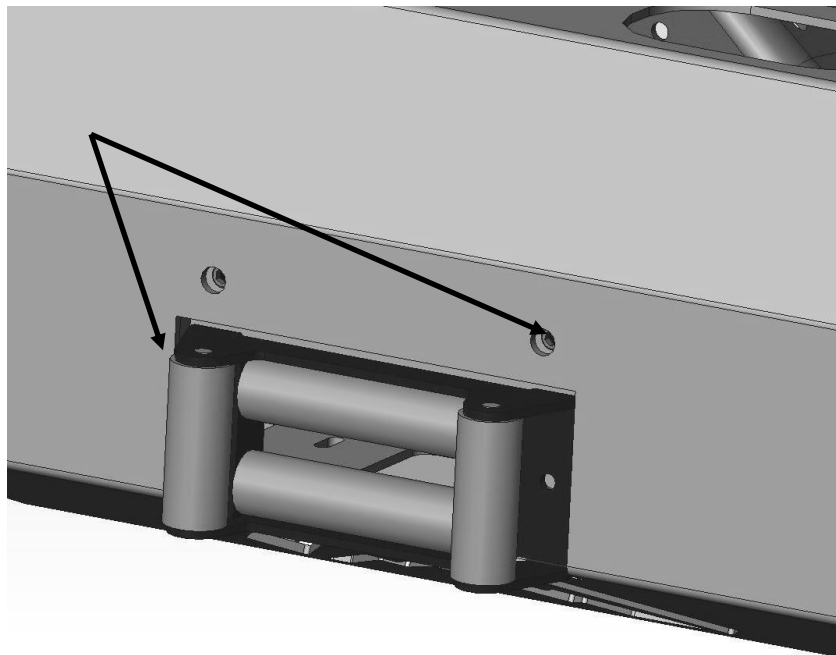
V. Bumper Installation

NOTE: The Following Installation steps apply to the installation of the Bumper to the vehicle. **PLEASE READ THE ENTIRE MANUAL BEFORE ATEMPTING INSTALLATION!** Ignoring these steps will increase your probability of scratching the vehicle during product Installation!

A. Remove the Bumper from the shipping carton. Lay all items out on a blanket to prevent damage to the powder coating.

B. OPTIONAL: If installing winch and roller fairlead (neither provided) into bumper, do it at this time. Bottom bolts (not provided) go through fairlead, then into winch. Thread 7/16" cap screws through hole in front bumper and into winch body. Do not Tighten The winch into Place.

C. NOTE: Winch should be bolted to **FRONT FACE** of the bumper in four places, and can be bolted to winch tray if so desired with two additional fasteners, If a HD series winch. All upright style winches can be bolted to the bottom of the winch tray.





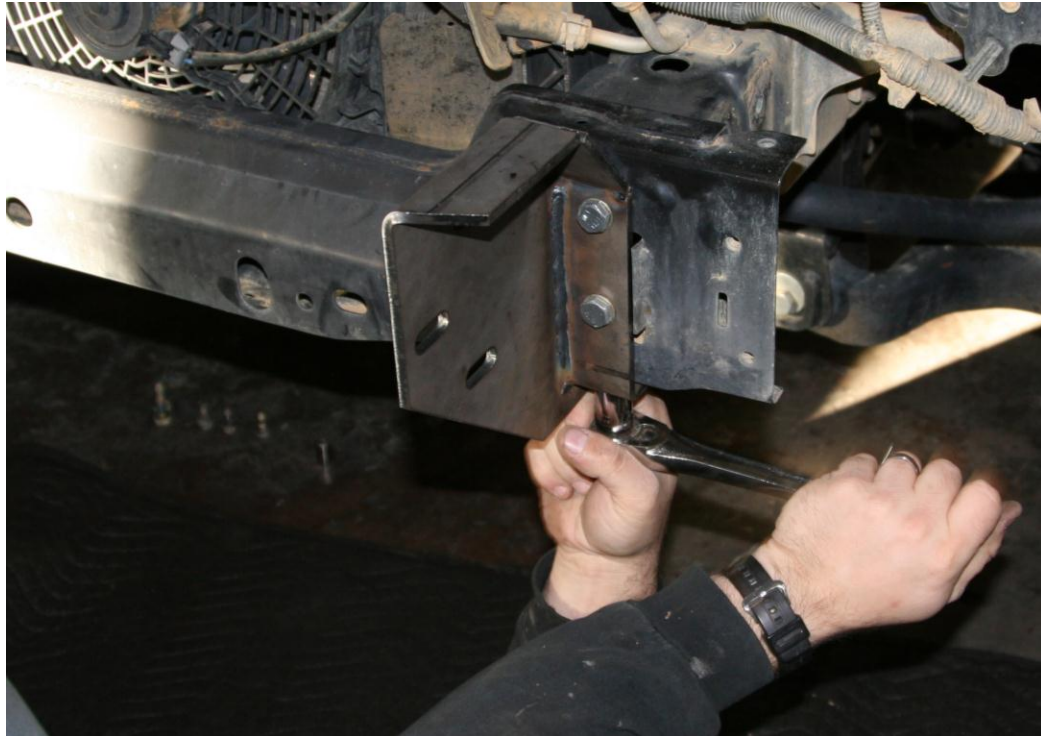
Installation Instructions

2004+ Nissan Titan Front Winch Bumper

Product Number: H1751-H1752

Application: 2004-Current Nissan Titan

D. Install Frame mounts using supplied M10x1.25 Bolts and washers on the end of the frame and OEM Tow Hook Hardware on the bottom of the Frame. The Flange on the top of the Bracket should be on the outside. Do not Fully Tighten. See Image Below



E. With mounts in Place on each side Use the help of a couple of friends to lift it into place. While in place use the supplied 7/16" Bolts, washers, lock washers, and nuts to hold in place. Do not Fully Tighten.

F. Adjust the bumper to achieve good visual alignment as follows:

- 1. Adjust for side to side with mounting bracket bolts at the frame.**
- 2. Adjust in/out and up/down with the mounting bracket bolts at the bumper.**





Installation Instructions

2004+ Nissan Titan Front Winch Bumper
Product Number: H1751-H1752
Application: 2004-Current Nissan Titan

***G. Tighten all fasteners; beginning with frame mounts.
Then tighten all mount-to-bumper fasteners.***

1. **NOTE:** This might require unbolting the winch and moving it around inside the bumper to gain better access at the bolts for tightening.

H. Trim inner-fender liners to match bumper if desired.

I. Install the Grey Turn indicator housing into the lens already installed into the bumper. Secure any remaining wiring out of harms way.

J. Verify proper operation of lights. Note: Turn indicators should be dim during "running" condition and flash bright for turn.





Installation Instructions

2004+ Nissan Titan Front Winch Bumper

Product Number: H1751-H1752
Application: 2004-Current Nissan Titan

VI. Maintenance/Care

- Periodically check and tighten all fasteners.
- Stripped, fractured, or bent bolts or nuts need to be replaced.

VII. Contact Information

Fab Fours Inc.
1312 Camp Creek Rd
Lancaster, SC 29720

Phone (866)-385-1905
Fax (970)-385-1914
Email Support@fabfours.com



More than expected... Better than expected

