



Installation Instructions

Suburban Winch Bumper

Product Number: H2240-H2242
Application: '07-'12 Chevy Suburban 1500

SAFETY

Your safety and the safety of others is very important.

- In order to help you make informed decisions about safety, we have provided installation instructions and other information.
- These instructions alert you to potential hazards that could hurt you or others.
- Please do a job safety analysis (JSA) before each task to identify potential hazards for your situation and remove/protect against them.
- You must use your own good judgment, and take your time.

Read and understand all safety precautions and instructions before installing this product.

THIS PRODUCT IS FOR OFFROAD USE ONLY. ALL LIABILITY FOR INSTALLATION AND USE RESTS WITH THE OWNER.

CARELESS INSTALLATION AND OPERATION CAN RESULT IN SERIOUS INJURY OR EQUIPMENT DAMAGE.

Injury hazard

Failure to observe these instructions could lead to severe injury or death.

- Always** remove jewelry and wear eye protection.
- Always** use extreme caution when jacking up a vehicle for work. Set emergency brake and use tire blocks. Locate and use the vehicle manufacturers designated lifting points. Use jack stands.
- Always** use appropriate and adequate care in lifting components into place.
- Always** insure components will remain secure during installation and operation.
- Always** wear safety glasses when installing this kit. A drilling operation will cause flying metal chips. Flying chips can cause serious eye injury.
- Always** use extreme caution when drilling on a vehicle. Thoroughly inspect the area to be drilled (on both sides of material) prior to drilling, and relocate any objects that may be damaged.
- Always** use extreme caution when cutting and trimming during fitting.
- Always** tighten all nuts and bolts securely per installation instructions.
- Always** route electrical cables carefully. Avoid moving parts, components that become hot and rough or sharp edges.
- Always** insulate and protect all exposed wiring and electrical terminals.
- Always** perform regular inspections and maintenance on mounts and related hardware.



Installation Instructions

Suburban Winch Bumper

Product Number: H2240-H2242
Application: '07-'12 Chevy Suburban 1500

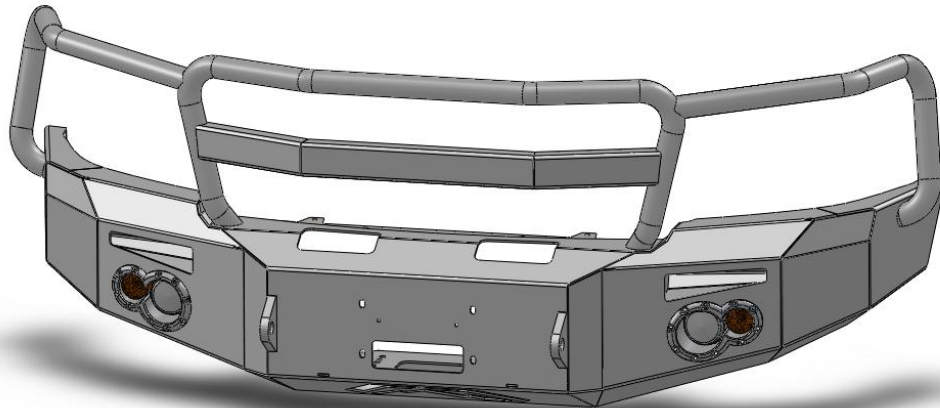
I. Overview

Congratulations on your purchase of the industries' best and most stylish Chevy Suburban Winch Bumper! This bumper has been **engineered** for strength while keeping the weight down. It can accept the Warn 12K winch... and look cool doing it.

This product has also been **engineered** to allow alignment in three directions so you will end up with a very professional fit.

Your bumper was designed in 3-D, fabricated, and powder coated... all in the U.S.A.

Enjoy the fit and finish of a quality Chevy Suburban 1500 Winch Bumper from Fab Fours Inc!





Installation Instructions









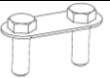



Suburban Winch Bumper

Product Number: H2240-H2242
Application: '07-'12 Chevy Suburban 1500

II. Tools Required

- | | |
|--|---|
| <ul style="list-style-type: none"> <input type="checkbox"/> Multi meter or circuit test light <input type="checkbox"/> Socket Wrench With Extensions <input type="checkbox"/> 5/32" Allen Wrench <input type="checkbox"/> 1/8" Allen Wrench <input type="checkbox"/> 3/4" Socket <input type="checkbox"/> 7/32" Socket <input type="checkbox"/> 7mm Socket <input type="checkbox"/> Needle Nose Pliers | <ul style="list-style-type: none"> <input type="checkbox"/> 10mm Socket <input type="checkbox"/> 19mm Socket <input type="checkbox"/> 22mm Deep Socket <input type="checkbox"/> 19mm Open End Wrench <input type="checkbox"/> 3/4" Open End Wrench <input type="checkbox"/> 3/8" Open End Wrench <input type="checkbox"/> Phillips Screwdriver <input type="checkbox"/> #3 Square driver <input type="checkbox"/> Drill with 3/8" bit <input type="checkbox"/> Air saw or Rotary tool |
|--|---|

III. Package Contents

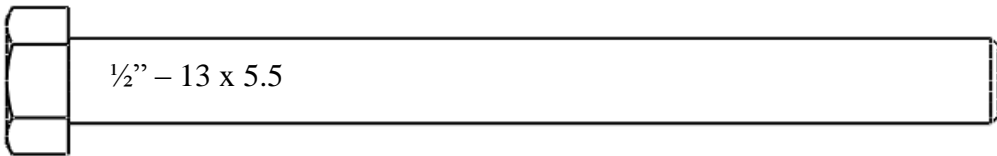
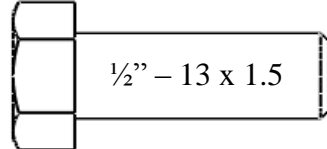

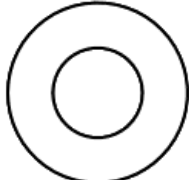


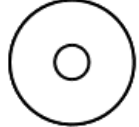
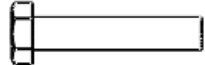
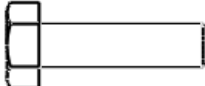
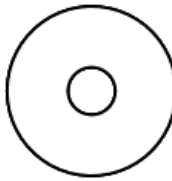

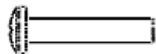
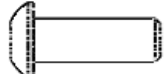
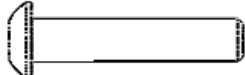




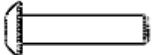
	QTY	DESCRIPTION	FAB FOURS PART NUMBER
	x 1	Chevy Suburban 1500 Front Bumper	H224X-B
	x 1	Suburban 1500 Driver Mounting Bracket	20244
	x 1	Suburban 1500 Passenger Mounting Bracket	20245
	x 1	Grille Remounting Bracket	20354
	x 1	Driver Fog Light Mounting Bracket	20318-08
	x 1	Passenger Fog Light Mounting Bracket	20318-09
	x 2	Fab Fours Fog Light	61349
	x 2	Fab Fours Running light, Turn indicator	61350
	x 4	Stud Plate	20296
	x 1	HDLA Hardware Kit	HDLA-HW
	x 1	H225X Hardware Kit	H225X-HW
	x 1	H225X Instruction Manual	H225X-IM



Installation Instructions

Suburban Winch Bumper

Product Number: H2240-H2242
 Application: '07-'12 Chevy Suburban 1500

- 2 x  1/2" - 13 x 5.5
- 4 x  1/2" - 13 x 1.5
- 14 x  1/2" - 13
- 20 x  1/2"
- 14 x  1/2"
- 2 x  #10-32
- 4 x  #10
- 2 x  #10-32 x 1.0
- 6 x  1/4" - 20 x 0.75
- 12 x  1/4"
- 6 x  1/4" - 20
- 6 x  #6 Thread forming Screw
- 16 x  1/4" - 20 x .75 Stainless
- 4 x  1/4" - 20 x 1.25 Stainless
- 20 x  1/4"
- 20 x  1/4"-20
- 6 x  #8-32
- 12 x  #8
- 6 x  #8" - 32 x .75



Installation Instructions

Suburban Winch Bumper

Product Number: H2240-H2242

Application: '07-'12 Chevy Suburban 1500

Vehicle Preparation

1. Remove two (2) plastic push clips with a small screwdriver or plastic rivet removal tool, and two (2) screw fasteners with a 7mm socket and ratchet from the front of each wheel well as shown below:

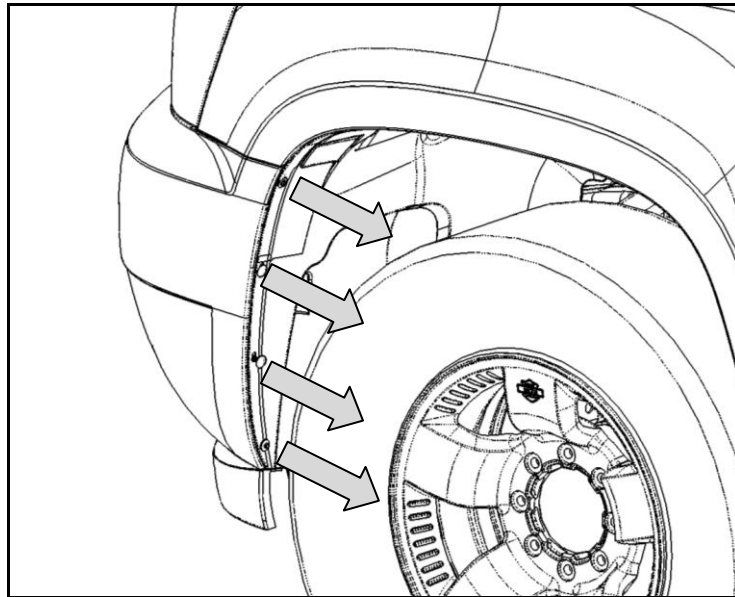


Figure 1 - WHEEL WELL FASTENER LOCATIONS

2. Remove the two screw fasteners attaching the plastic bumper cover to the truck from underneath with a 10mm socket. Repeat for other side. See image below for location:

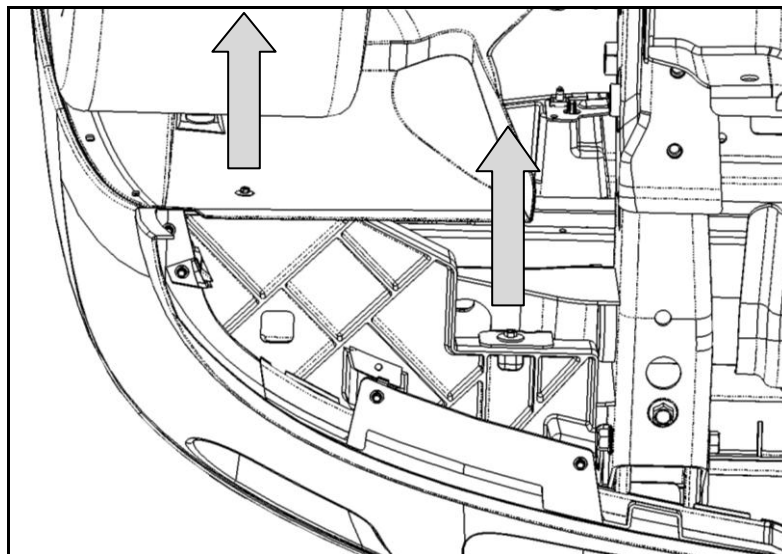


Figure 2 – LOWER FASTENER LOCATION – VIEW FROM BELOW



Installation Instructions

Suburban Winch Bumper

Product Number: H2240-H2242

Application: '07-'12 Chevy Suburban 1500

3. Open the hood and remove the six (6) fasteners attaching the bumper and grille to the radiator core support with a 10mm socket :

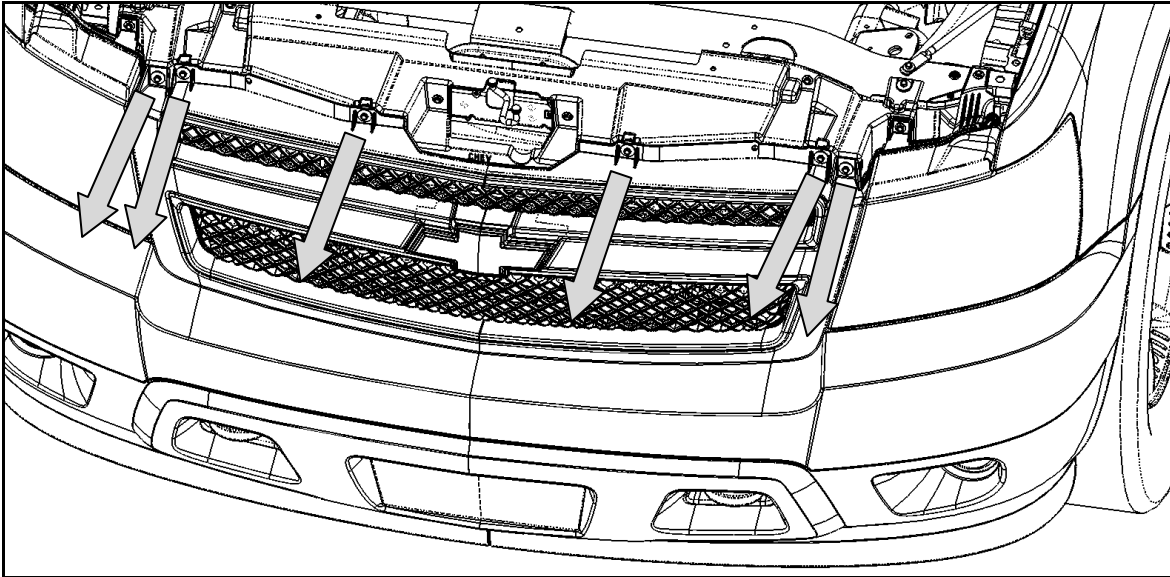


Figure 3 - GRILLE FASTENER REMOVAL

4. Reaching behind the bumper cover at the outer corner, firmly pull the cover outward to release it from the fastening clips. Repeat for other side

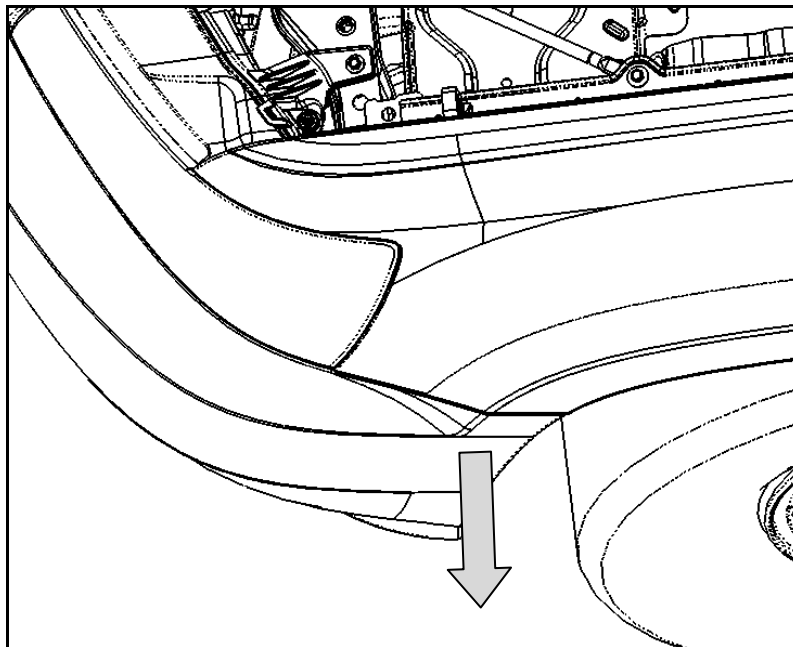


Figure 4 - CORNER CLIP RELEASE



Installation Instructions

Suburban Winch Bumper

Product Number: H2240-H2242

Application: '07-'12 Chevy Suburban 1500

5. Pull forward on the bumper cover to remove it from the truck.

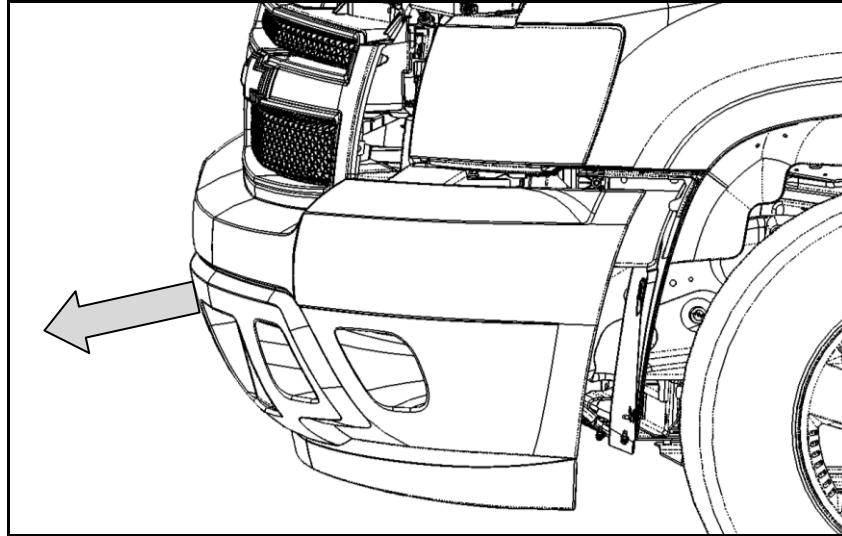


Figure 5 – BUMPER COVER REMOVAL

6. If your vehicle is equipped with fog lights, the wiring harness must be disconnected from both lights before the bumper cover can be set aside.
7. Set the bumper cover aside. This part will later be modified to re-fit the grille with your new Fab Fours heavy duty bumper.
8. Remove the bumper cover clipping brackets from the bottom of the fenders with a 10mm socket:

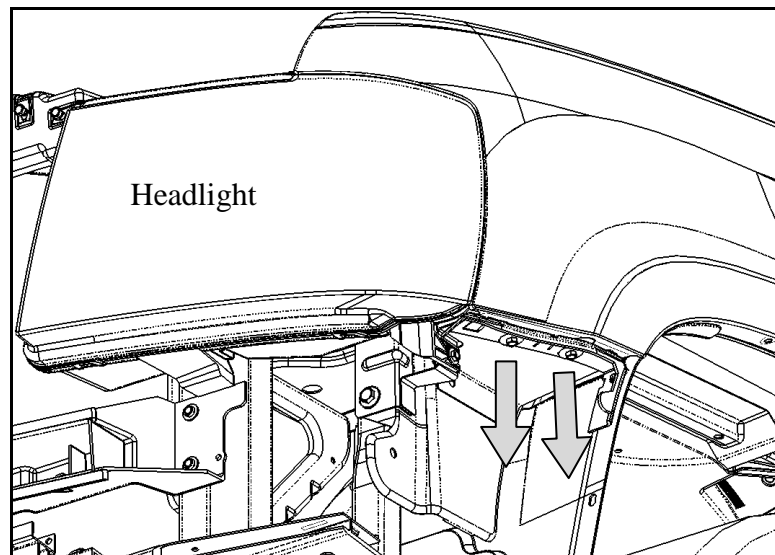


Figure 6 - CLIPPING BRACKET REMOVAL



Installation Instructions

Suburban Winch Bumper

Product Number: H2240-H2242

Application: '07-'12 Chevy Suburban 1500

9. With a 22mm socket and breaker bar, loosen the two main push bar mounting screws. Pull the push bar forward away from the truck:

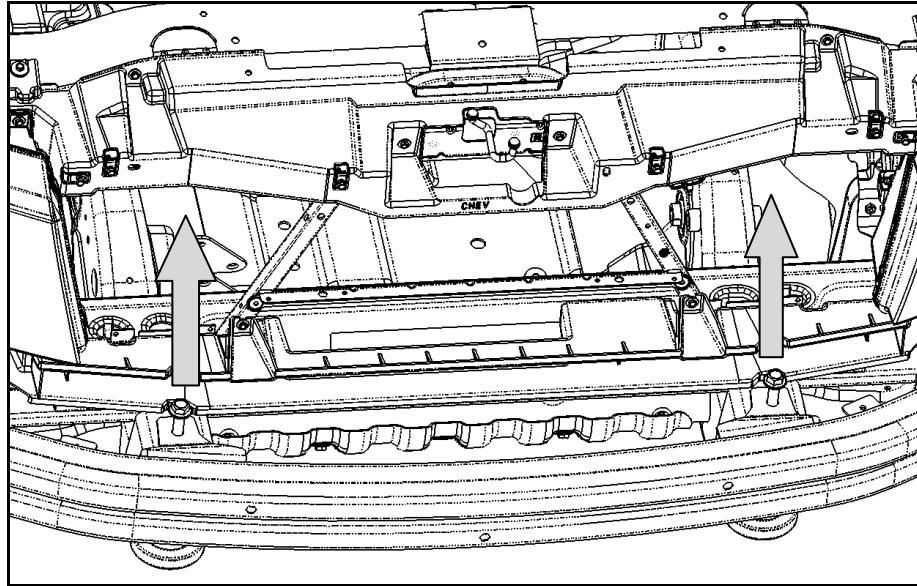


Figure 7 - PUSH BAR MOUNTING SCREWS

10. Use a ratchet, 19mm socket, and 19mm wrench to remove the tow hooks from inside the frame ends:

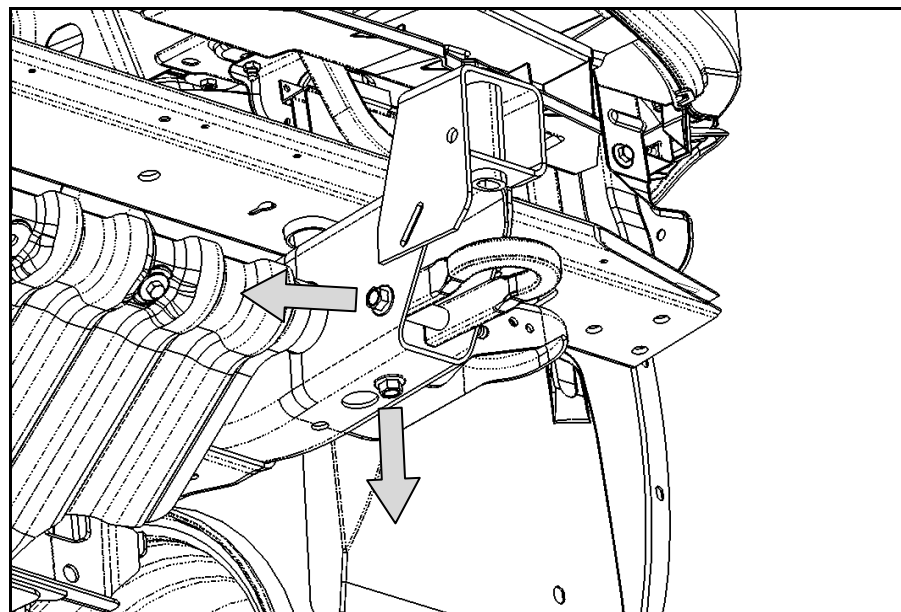


Figure 8 - TOW HOOK REMOVAL



Installation Instructions

Suburban Winch Bumper

Product Number: H2240-H2242

Application: '07-'12 Chevy Suburban 1500

11. Use a ratchet and 10mm socket to remove the headlight to access the turn indicator wiring; Remove the two top fasteners and loosen the outer fastener. Repeat for both sides.

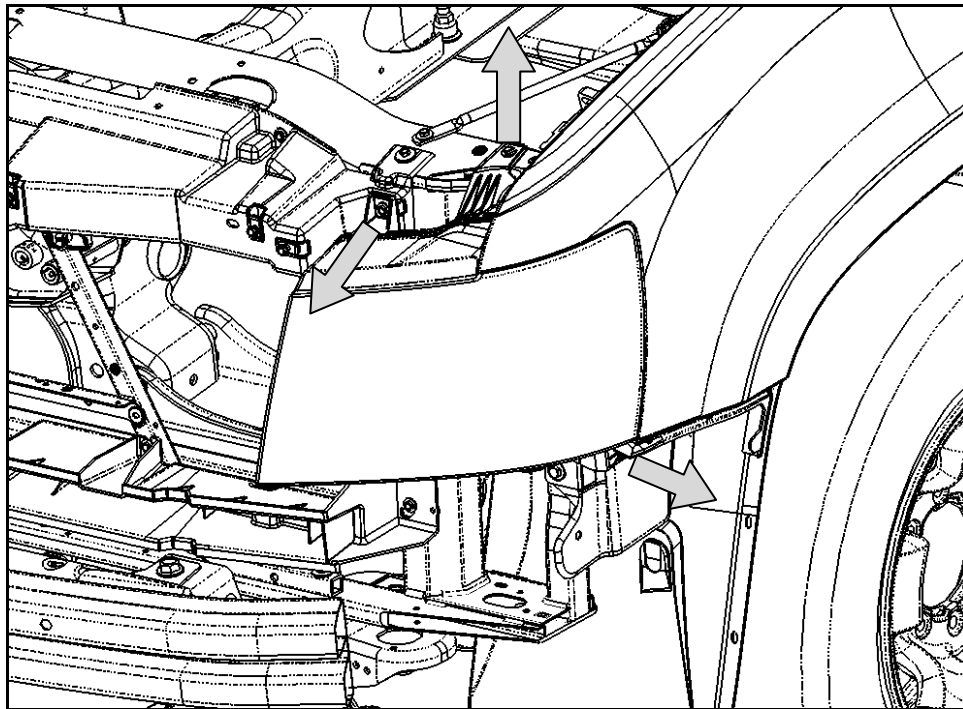


Figure 9 – HEADLIGHT REMOVAL

12. The disassembly of the vehicle is now complete. Proceed to the Grille Modification section of this instruction manual to prepare the OEM grille to fit with your Fab Fours bumper.



Installation Instructions

Suburban Winch Bumper

Product Number: H2240-H2242
Application: '07-'12 Chevy Suburban 1500

IV. Grille Modification

NOTE: Reinstalling the OEM grille section with your Fab Fours bumper requires you to cut the bumper cover and grille surround into separate pieces. READ THIS ENTIRE SECTION CAREFULLY BEFORE PROCEEDING. Failing to do so may affect the quality of the final installation of your bumper.

1. Remove the Fasteners holding the grille inserts onto the bumper cover. Two metal clips, one on each end, need to be pried off of the mounting tabs with a small screwdriver. Be sure to wear safety glasses when removing these spring clips. The two hex nuts retaining the “bowtie” emblem also need to be removed.

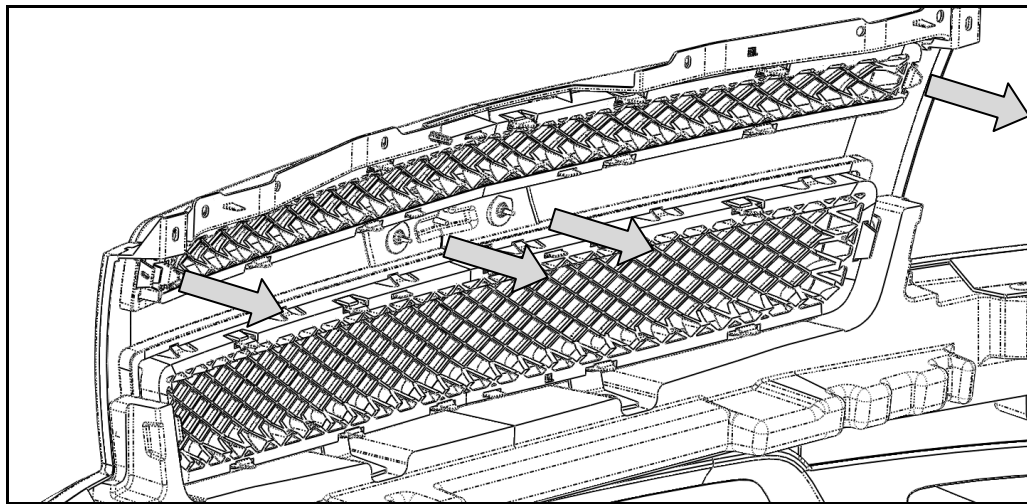


Figure 10 – GRILLE FASTENER REMOVAL

2. Remove the grille inserts from the bumper. The top insert must be removed first. Starting at one end press the plastic tabs inward toward the grille panel to allow them to be pulled out of the bumper

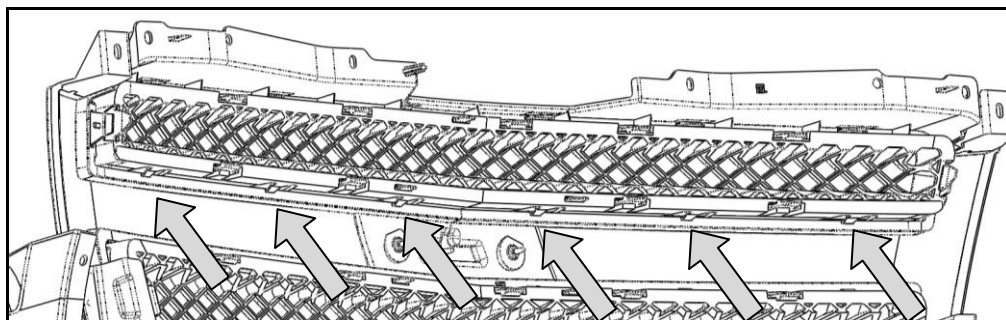


Figure 11 - GRILLE PANEL TAB LOCATIONS



Installation Instructions

Suburban Winch Bumper

Product Number: H2240-H2242

Application: '07-'12 Chevy Suburban 1500

3. Remove the lower panel of the grille insert in the same manner as the top panel.
4. Remove the foam core support from the bumper cover by unscrewing the six (6) self-tapping plastic screws with a #3 square drive bit.

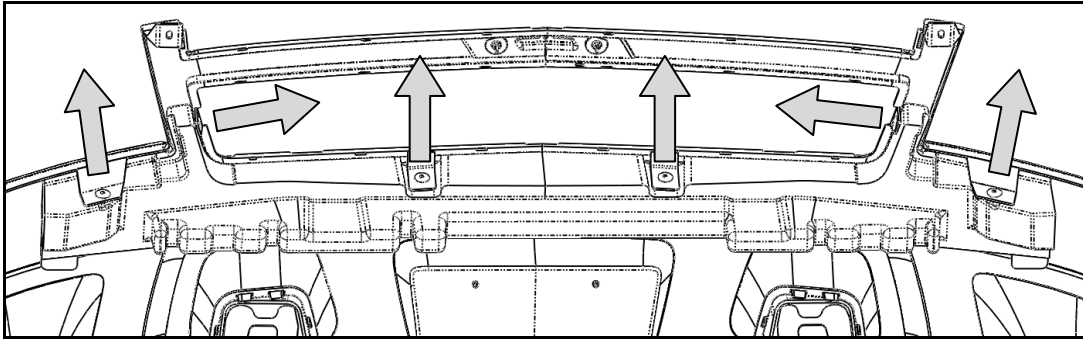


Figure 12 - FOAM FASTENER REMOVAL

5. Attach the Fab Fours provided grille mounting bracket to two center foam mounting holes as shown below. Use the 1/4" hardware with nyloc nuts and fender washers

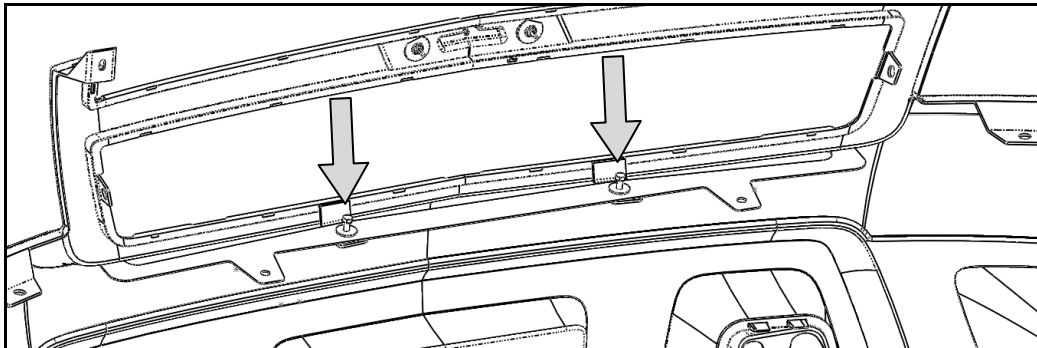


Figure 13 - BRACKET ATTACHMENT - VIEW FROM REAR, ABOVE

6. Drill through the bumper face at the outer mounting holes with a 3/8" drill bit to allow the remaining 1/4" hardware to be fitted:

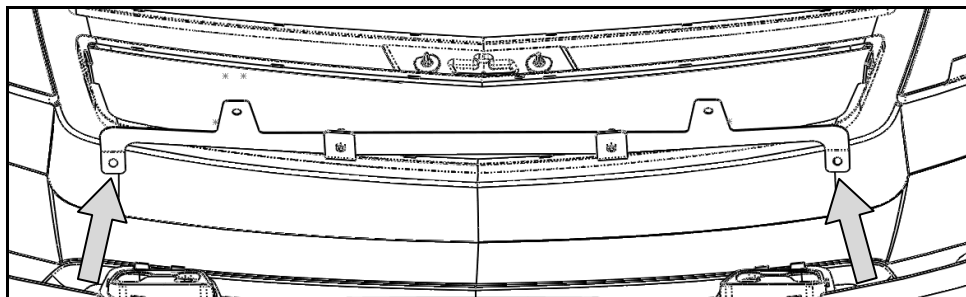


Figure 14 - DRILLING LOCATIONS - VIEW FROM REAR, BELOW



Installation Instructions

Suburban Winch Bumper

Product Number: H2240-H2242

Application: '07-'12 Chevy Suburban 1500

7. Fasten the grille bracket at the drilled holes at the outside of the bracket with $\frac{1}{4}$ " screws, fender washers, and nyloc nuts.
8. With a body saw or rotary tool, cut the bumper section off of the grille, trimming around the mounting tabs at the bottom corner (See Bold line on image below) . Be very careful when trimming not to damage the paint on the grille. The bumper section will not be reused.

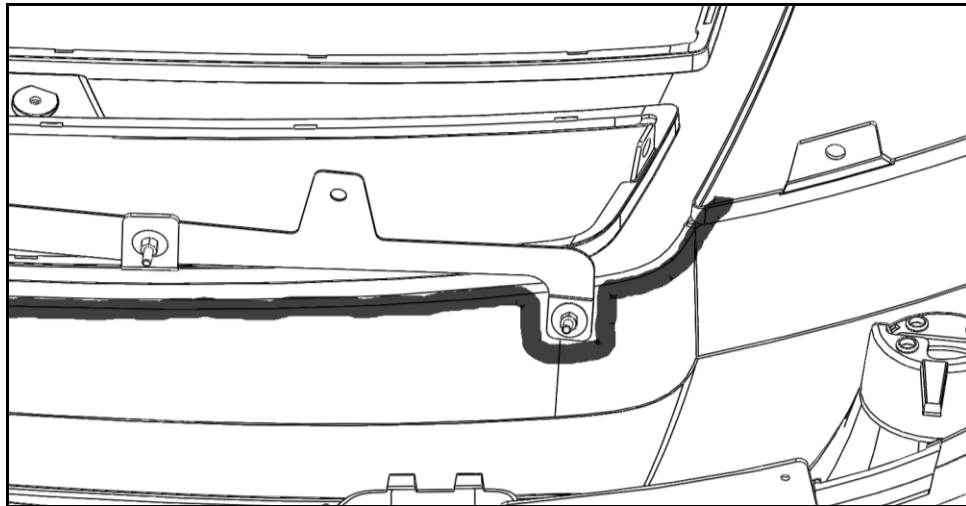


Figure 15 - TRIM LINE -VIEW FROM REAR, BELOW

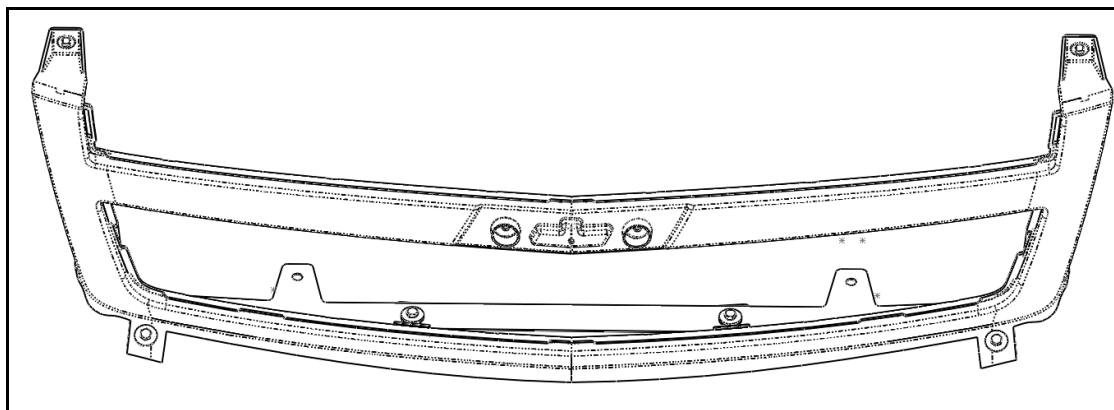


Figure 16 - TRIMMED GRILLE

9. The grille surround is now ready for the installation process with your new Fab Fours bumper. Do not reattach the grille inserts to the surround at this time. Proceed to the Lights and Wiring section to complete the electrical installation of your Fab Fours bumper components



Installation Instructions

Suburban Winch Bumper

Product Number: H2240-H2242

Application: '07-'12 Chevy Suburban 1500

V. Lights and Wiring Installation

1. With the headlights removed, tap into the turn indicator wiring with the supplied tap connectors.
2. The turn indicator wiring harness may be installed at this time. To do so, remove the wiring harness and bulb socket from the lens housing. See below for wire color guide.

WIRE COLORS:

	<u>WIRE</u>	<u>OEM COLOR</u>	<u>FAB FOURS COLOR</u>
TURN SIGNALS	Running	Brown	→ White
	Turn	White/Blue (Pass)	→ Red
	Ground	Black	→ Green
FOG LIGHT	Power	Purple	→ Red
	Ground	Black	→ Green

3. Tuck the Fab Fours provided wiring and bulb out of the way until the installation of the Fab Fours bumper is complete.
4. Replace headlights in reverse order of removal. Be sure to rout newly installed Fab Fours wiring away from sharp edges down to the bumper area.
5. Tap into OEM fog light harnesses on each side of the vehicle using two supplied tap connectors.
6. Connect the supplied fog lamp wiring harnesses to tap connectors following wire color guide above.
7. Tuck OEM fog light harness and Fab Fours supplied wiring out of the way until completion of the bumper installation.



Installation Instructions

Suburban Winch Bumper

Product Number: H2240-H2242

Application: '07-'12 Chevy Suburban 1500

8. Install turn indicators into the plastic light insert using three self-tapping screws as shown below:

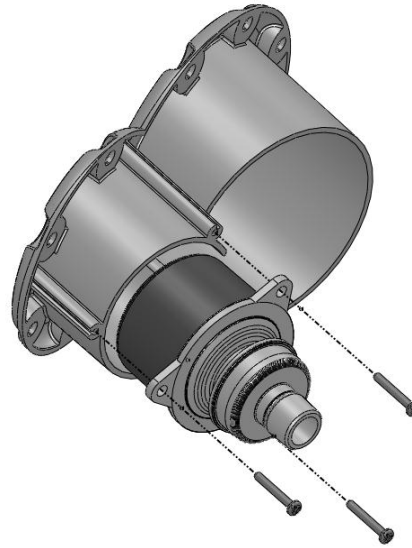


Figure 17 – Turn Signal Installation

9. Install the light inserts with turn indicators into the cutout in the bumper. Use the $\frac{3}{4}$ " length $\frac{1}{4}$ " stainless steel button head, $\frac{1}{4}$ " washers and hex nuts to fasten the insert through the holes shown below. Do not use the two holes closest to the center of the bumper at this time. Use washers only on the nut side (inside the bumper). Use needle nose pliers to tighten nuts with limited access.

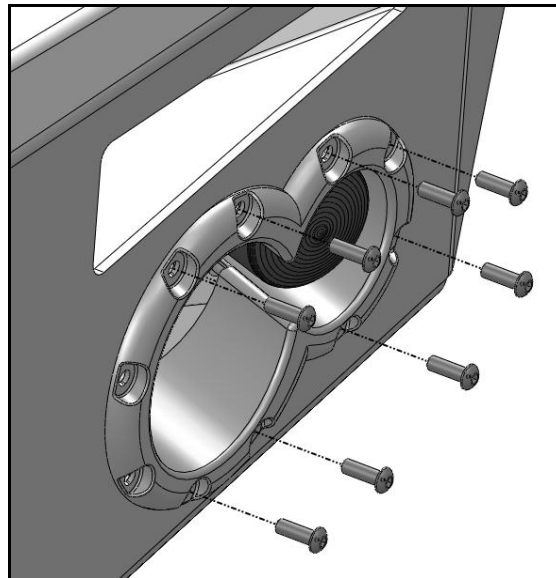


Figure 18 – Light Insert Installation



Installation Instructions

Suburban Winch Bumper

Product Number: H2240-H2242
Application: '07-'12 Chevy Suburban 1500

10. Install the Fab Fours fog lights onto the mounting brackets as shown below using the #8 button head screws, washers, and nylock hex nuts.

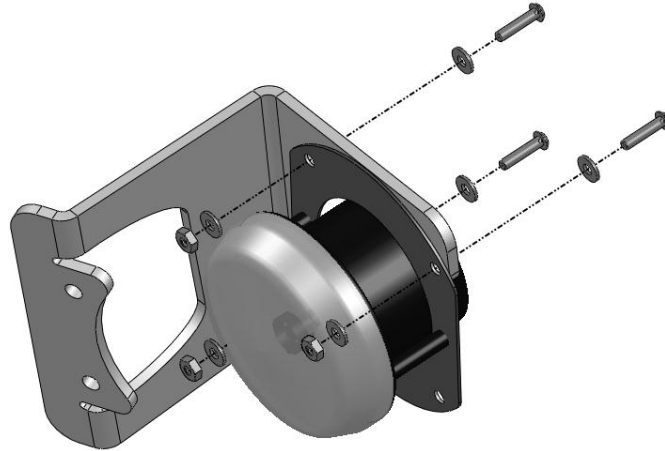


Figure 19 - Fog Light to Bracket Installation

11. Install the fog light and bracket into the bumper using the remaining two holes available in the light insert. Use the 1-1/2" length 1/4" stainless steel button heads with 1/4" washers and nylock nuts:

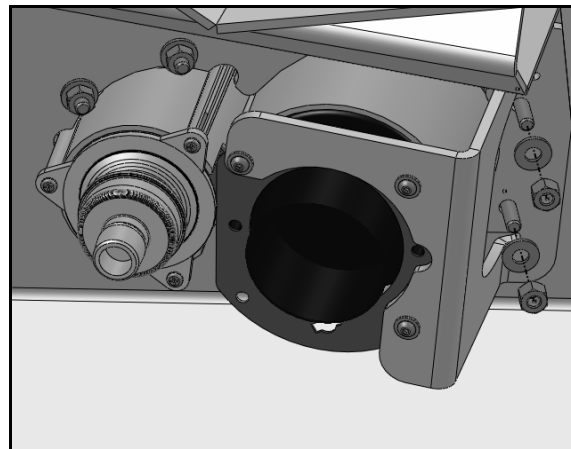


Figure 20 - Fog Light Installation

12. Repeat steps 7-10 for other side.

❑ Do not connect wiring harnesses to lights until bumper is installed.



Installation Instructions

Suburban Winch Bumper

Product Number: H2240-H2242

Application: '07-'12 Chevy Suburban 1500

VI. Bumper Installation

- **Optional:** If installing winch and roller fairlead into bumper, do it at this time. Follow the winch manufacturer's instructions for installation. If you are installing a winch with a pulling capacity of 12,000 lbs., the front face mounting holes must be used.

If not installing a winch, a license plate may be installed onto the front face of the bumper (Hardware not included).

1. Install intermediate mount onto the frame rail using bolts, washers, lock washers and nuts provided in the hardware kit. Use the 5.5" bolts in the OEM push bar mounting location (shown in the top view) and the 1.5" bolts in the tow hook mounting holes (Shown in bottom view). The offset portion of the bracket should face the outside of the truck. **DO NOT FULLY TIGHTEN**, repeat for other side.

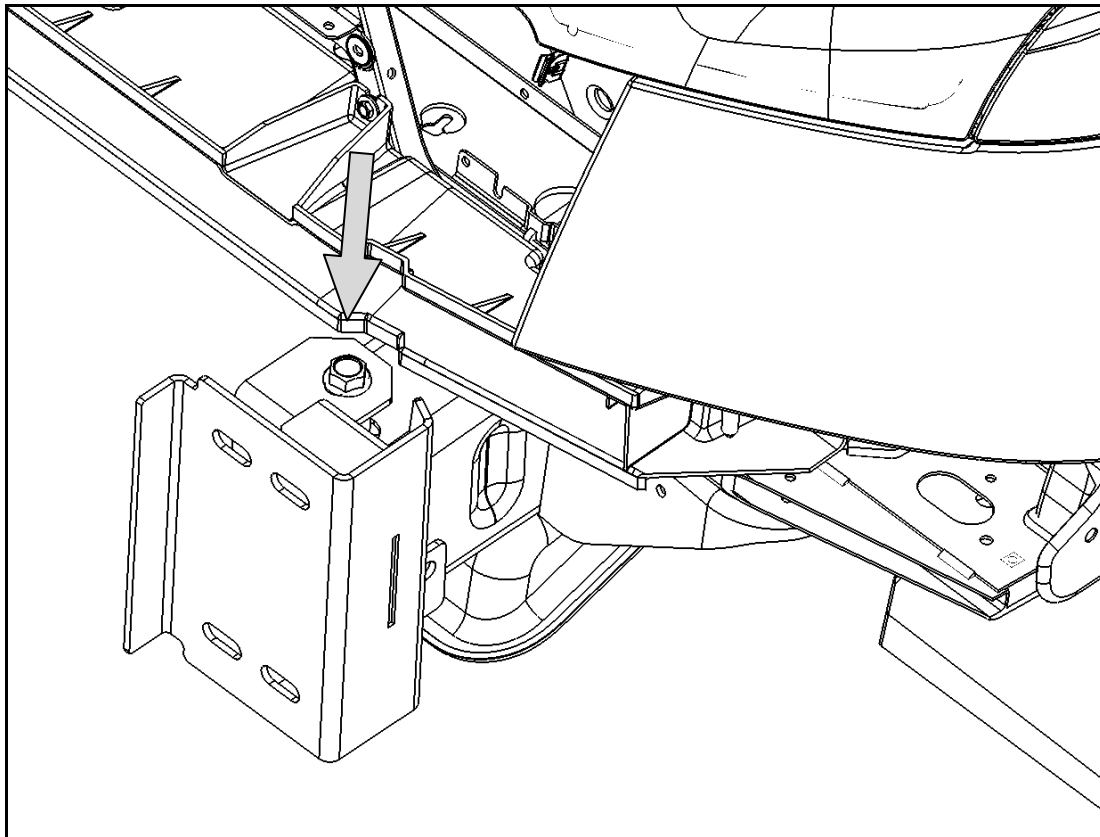


Figure 21 – INTERMEDIATE BRACKET INSTALLATION – TOP VIEW



Installation Instructions

Suburban Winch Bumper

Product Number: H2240-H2242

Application: '07-'12 Chevy Suburban 1500

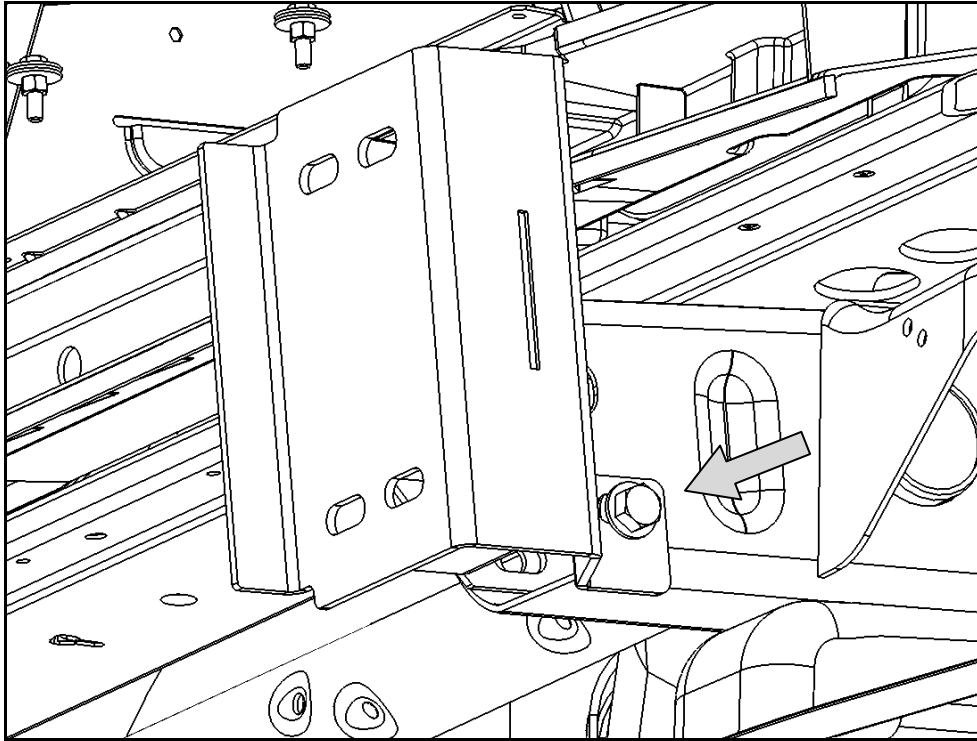


Figure 22 - INTERMEDIATE BRACKET INSTALLATION - BOTTOM VIEW

2. Refit the modified grille surround to the bumper, locating the Fab Fours provided grille mounting bracket onto the top of the foam core support shell housing. Reattach it at the top corners with the OEM screws and align the outside edges with the surface of the headlight. Drill through the support shell with a 3/8" bit to mount the lower mounting bracket as shown below. Attach with provided 1/4" bolts, fender washers, and nyloc nuts.

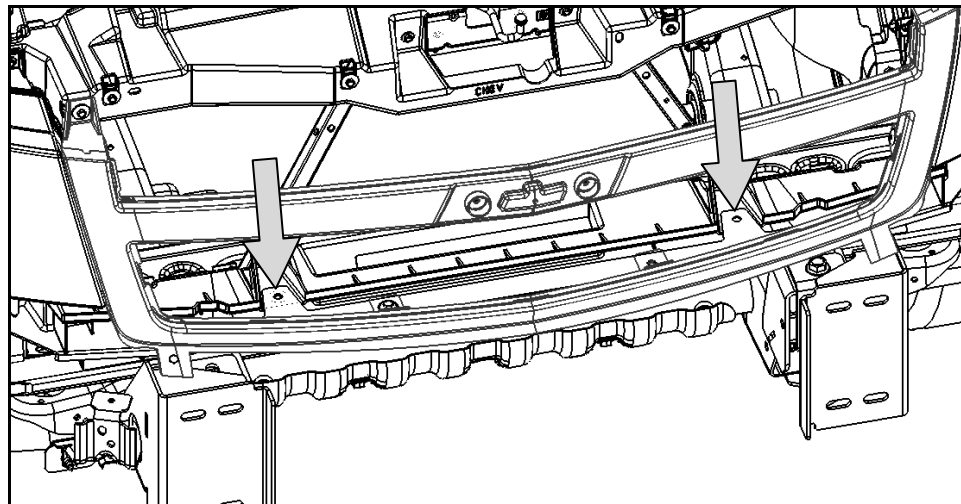


Figure 23 - DRILLING LOCATIONS



Installation Instructions

Suburban Winch Bumper

Product Number: H2240-H2242

Application: '07-'12 Chevy Suburban 1500

3. Insert the studs into the slots on the mounting brackets from the back side as shown below:

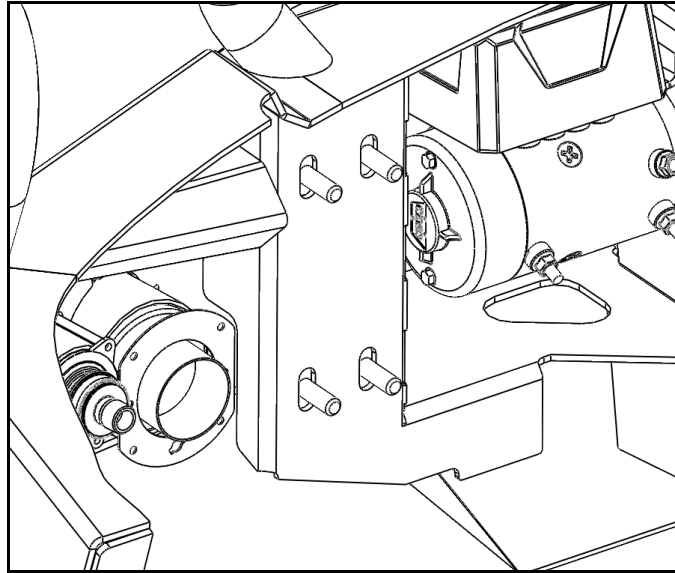


Figure 24 – STUD PLATE ORIENTATION

4. With the help of others or a lifting device, lift and align the bumper mounts with the frame mounts. With the bumper fully supported, install four nuts, washers, and lock washers per side onto the studs from underneath the vehicle. **DO NOT FULLY TIGHTEN**

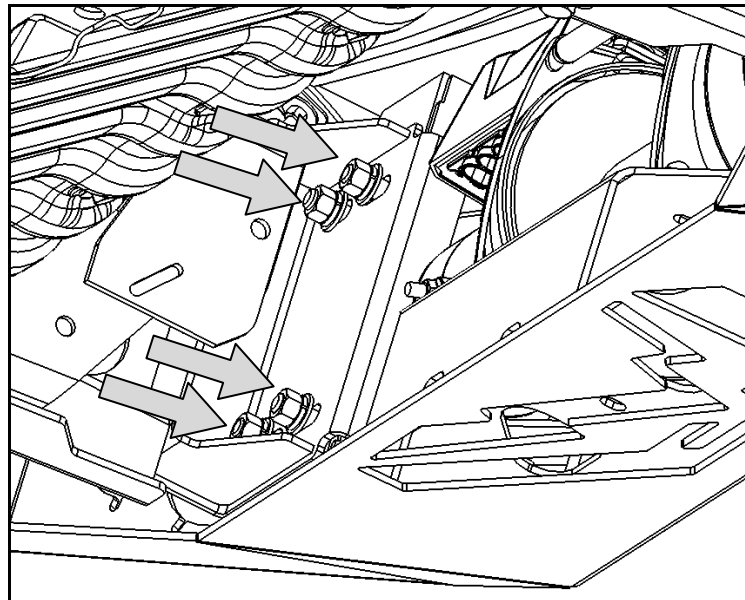


Figure 25 – BUMPER ATTACHMENT – VIEW FROM BOTTOM



Installation Instructions

Suburban Winch Bumper

Product Number: H2240-H2242
Application: '07-'12 Chevy Suburban 1500

5. Adjust the bumper to achieve good visual alignment as follows:
 1. Adjust in/out bumper alignment with mounting bracket to frame hardware.
 2. Adjust up/down and left/right alignment with bumper to mounting bracket hardware

NOTE: Fab Fours recommends a **MINIMUM** gap of 3/8” at the outer fenders and headlights to prevent paint damage in normal operation.

6. Tighten all fasteners fully; beginning with frame mounts. Then tighten all mount-to-bumper fasteners.
7. **OPTIONAL:** Trim the inner fender liners to match the higher clearance of your Fab Fours bumper. This can be done with a body saw, rotary tool, or sharp utility knife (New blade strongly recommended). **USE CAUTION WHEN PERFORMING ANY CUTTING OPERATION TO PREVENT VEHICLE DAMAGE OR PERSONAL INJURY.**
8. **OPTIONAL:** Hardware and mounting provisions are provided to reattach the inner fender liner to you Fab Fours bumper if desired. It is recommended that vehicles that perform in severe duty environments or spend a significant amount of time off-highway that the inner fender liner **NOT** be attached to the Fab Fours bumper, as it may cause damage to the inner fender liner mounting due to chassis flex.
9. Connect wiring harnesses to lights as shown in wiring diagram.
10. Verify proper operation of lights. **Note:** Turn indicators should be dim during “running” condition and flash bright for turn.



Installation Instructions
Suburban Winch Bumper
Product Number: H2240-H2242
Application: '07-'12 Chevy Suburban 1500

VII. Maintenance/Care

- Periodically check and tighten all fasteners.
- Stripped, fractured, or bent bolts or nuts need to be replaced.
- Keep all surfaces free of dirt, road grime, and standing water to ensure finish longevity.

VIII. Contact Information

Fab Fours Inc.
1312 Camp Creek Rd.
Lancaster, SC 29720

Phone (866)-385-1905
Fax (866)-574-1424
Email Support@fabfours.com

IX. Your Vehicle on our Website!

- Send high resolution images to sales@fabfours.com*



More than expected... Better than expected