



Installation Instructions

2009+ Ram 1500 Front Winch Bumper

Product Number: H2451, H2452, H2450

Application: 2009+ Ram 1500 Trucks

SAFETY

Your safety and the safety of others is very important.

- In order to help you make informed decisions about safety, we have provided installation instructions and other information.
- These instructions alert you to potential hazards that could hurt you or others.
- Please do a job safety analysis (JSA) before each task to identify potential hazards for your situation and remove/protect against them.
- You must use your own good judgment, and take your time.

Read and understand all safety precautions and instructions before installing this product.

THIS PRODUCT IS FOR OFFROAD USE ONLY. ALL LIABILITY FOR INSTALLATION AND USE RESTS WITH THE OWNER.

CARELESS INSTALLATION AND OPERATION CAN RESULT IN SERIOUS INJURY OR EQUIPMENT DAMAGE.

Injury hazard

Failure to observe these instructions could lead to severe injury or death.

- Always** remove jewelry and wear eye protection.
- Always** use extreme caution when jacking up a vehicle for work. Set emergency brake and use tire blocks. Locate and use the vehicle manufacturers designated lifting points. Use jack stands.
- Always** use appropriate and adequate care in lifting components into place.
- Always** insure components will remain secure during installation and operation.
- Always** wear safety glasses when installing this kit. A drilling operation will cause flying metal chips. Flying chips can cause serious eye injury.
- Always** use extreme caution when drilling on a vehicle. Thoroughly inspect the area to be drilled (on both sides of material) prior to drilling, and relocate any objects that may be damaged.
- Always** use extreme caution when cutting and trimming during fitting.
- Always** tighten all nuts and bolts securely per installation instructions.
- Always** route electrical cables carefully. Avoid moving parts, components that become hot and rough or sharp edges.
- Always** insulate and protect all exposed wiring and electrical terminals.
- Always** perform regular inspections and maintenance on mounts and related hardware.





Installation Instructions

2009+ Ram 1500 Front Winch Bumper

Product Number: H2451, H2452, H2450

Application: 2009+ Ram 1500 Trucks

I. Overview

Congratulations on your new purchase of the industries' best and most stylish bumper available for the new 2009+ Ram 1500 Trucks! This Bumper has been **engineered** for strength while keeping the weight down.

Your bumper was designed in 3-D from digitized data, CNC laser cut, fabricated, and powder coated... all in the U.S.A.

Enjoy the fit and finish of a quality Front Bumper from Fab Fours Inc.





Installation Instructions

2009+ Ram 1500 Front Winch Bumper

Product Number: H2451, H2452, H2450

Application: 2009+ Ram 1500 Trucks

II. Tools Required

- 8,10 , 18mm,3/4” Wrenches
- 18mm ,3/4” Socket
- Socket wrench and short extension
- Test Light
- Assorted General Tools

III. Vehicle Preparation

A. Disconnect the Fog Light harness on the driver side of the OEM bumper.

B. Using an 8mm wrench remove the 2 small bolts from each fender well opening holding the Painted Plastic Bumper Fascia on.

C. Push Inner Fender towards the tire to gain access to the upper side bolts holding the Plastic Bumper Fascia to the fender. Remove the bolt using a 10mm socket. See Image Below.





Installation Instructions

2009+ Ram 1500 Front Winch Bumper

Product Number: H2451, H2452, H2450

Application: 2009+ Ram 1500 Trucks

D. Pop the Plastic Bumper Fascia off the truck by starting at the fender and pulling it towards yourself.

E. Remove the nuts from the backside of the Frame Mounting Flange using a 18mm socket. Remove the OEM bumper

F. Remove the 4(2 per Side) 10mm bolts from the plastic lower grill support. See Image Below.



G. Remove the 4 10mm bolts holding the grill into place, and remove the grill





Installation Instructions

2009+ Ram 1500 Front Winch Bumper

Product Number: H2451, H2452, H2450

Application: 2009+ Ram 1500 Trucks

H. Remove the Plastic support under the headlights using a 10mm socket.

I. Remove the Center Plastic support from the bottom of the OEM Grill.

J. Re-install the OEM Grill.

K. Remove the OEM Tow Hooks. Do Not Lose the Hardware!

L. Your Truck is now ready for the installation of your New Fab Fours Bumper!

IV. Lights and Wiring Installation

A. Unplug the OEM turn signal harness from the back side of the Headlight to gain access to the wiring. See Image Below.





Installation Instructions

2009+ Ram 1500 Front Winch Bumper

Product Number: H2451, H2452, H2450

Application: 2009+ Ram 1500 Trucks

B. On each side, tap into the three turn indicator wires using supplied tap connectors. Use a test light to verify the wires to tap into.

Driver Side Turn Indicator at Headlight

OEM (Running) Middle Wire → White Fab Fours
OEM (Turn) Opposite to the Black Wire → Red Fab Fours
OEM (Ground) Black Wire → Green Fab Fours

Passenger Side Turn Indicator at Headlight

OEM (Running) Middle Wire → White Fab Fours
OEM (Turn) Opposite to the Black Wire → Red Fab Fours
OEM (Ground) Black Wire → Green Fab Fours

Fog Lamp

OEM (Power) → Red Fab Fours
OEM (Ground) → Green Fab Fours

C. Connect supplied turn indicator wiring harnesses to tap connectors following wiring tested in step above.

D. Replace OEM plug back into the headlight.

E. Tap into OEM fog light harness on the driverside using two supplied tap connectors. Verify with a Test Light.

Fog Lamp

OEM (Power) → Red Fab Fours
OEM (Ground) → Green Fab Fours





Installation Instructions

2009+ Ram 1500 Front Winch Bumper

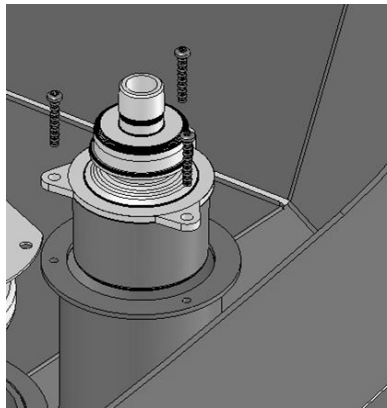
Product Number: H2451, H2452, H2450

Application: 2009+ Ram 1500 Trucks

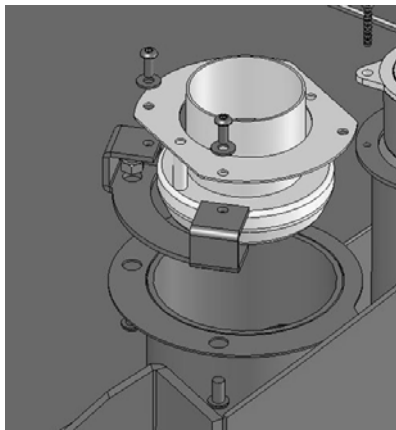
F. Connect supplied fog lamp wiring harness to tap connectors following wiring diagram.

G. Run passenger side fog lamp supply wires across bottom of bumper (After Bumper is Installed) and tap into Fab Fours driver side fog lamp wires.

H. Install turn indicators into outside bumper light pockets using three self-tapping screws per side. Note: verify that "TOP" lettering on turn indicator is facing top of bumper.



I. Install fog lamp brackets onto inner light pockets using two bolts and nuts per side and attach running light to bracket as shown using two bolts, washers, and nuts per side. Verify that light adjustment screw is facing downward before tightening fully.





Installation Instructions

2009+ Ram 1500 Front Winch Bumper

Product Number: H2451, H2452, H2450

Application: 2009+ Ram 1500 Trucks

V. Winch Bumper Installation

NOTE: The Following Installation steps apply to the installation of the Bumper to the vehicle. **PLEASE READ THE ENTIRE MANUAL BEFORE ATTEMPTING INSTALLATION!** Ignoring these steps will increase your probability of scratching the vehicle during product Installation!

A. Remove the Bumper from the shipping carton. Lay all items out on a blanket to prevent damage to the powder coating.

B. Install the edge trim to the inside edge on each side as shown below.



C. OPTIONAL: If installing winch and roller fairlead (neither provided) into bumper, do it at this time. Bottom bolts (not provided) go through fairlead, then into winch. Thread 7/16" cap screws through hole in front bumper and into winch body.





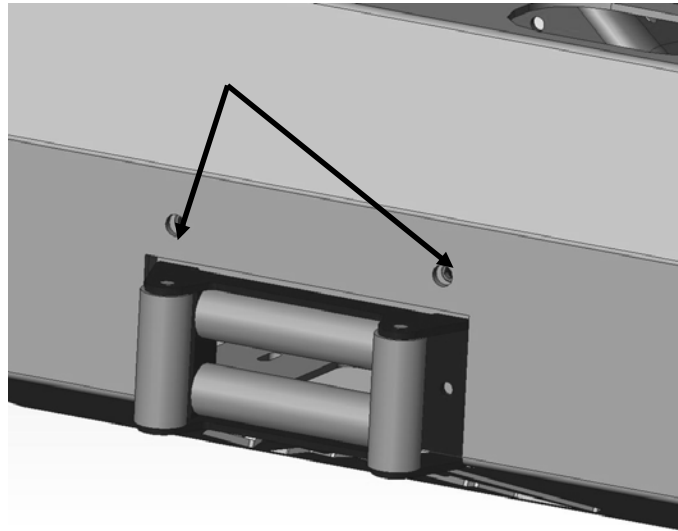
Installation Instructions

2009+ Ram 1500 Front Winch Bumper

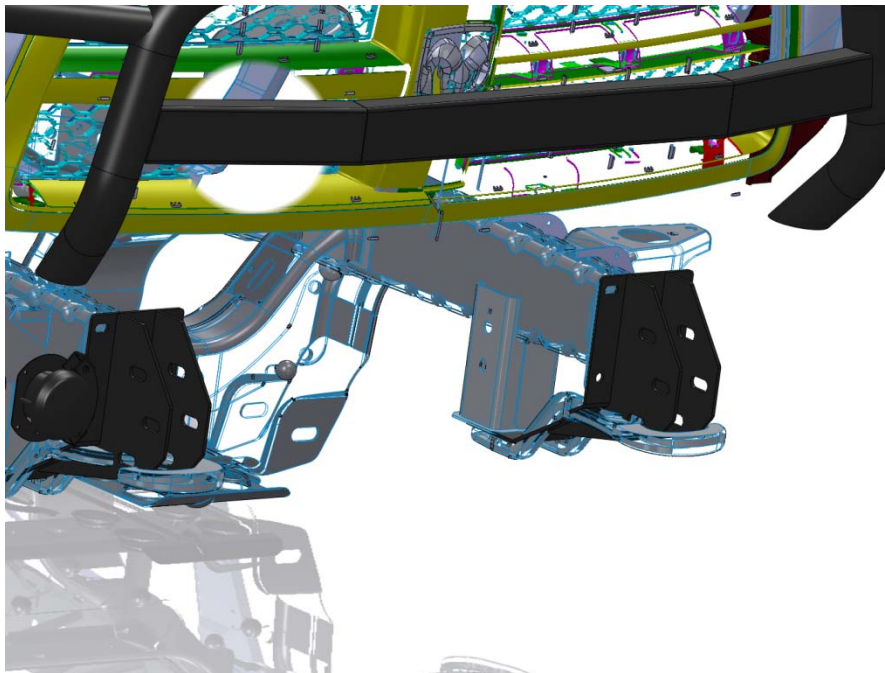
Product Number: H2451, H2452, H2450

Application: 2009+ Ram 1500 Trucks

D. NOTE: Winch should be bolted to FRONT FACE of the bumper in four places, and can be bolted to winch tray if so desired with two additional fasteners.



E. Install the Frame mounts to the frame using the supplied 7/16" hardware as shown below using a lock washer and two washers per bolt and nut. Do not Fully Tighten.





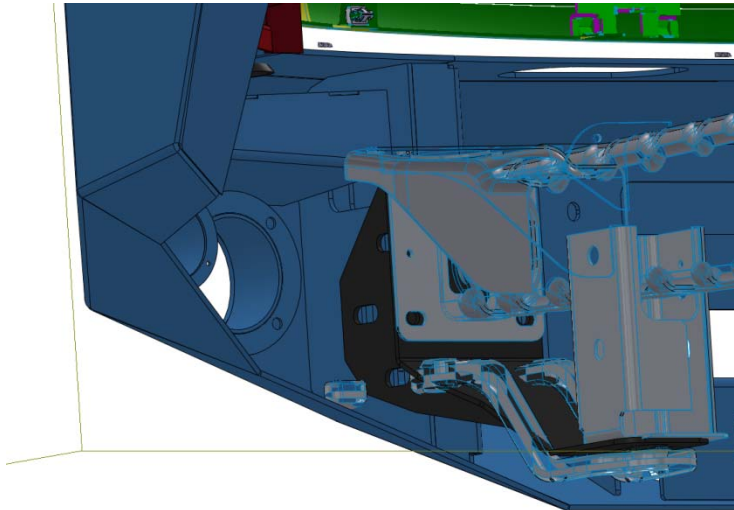
Installation Instructions

2009+ Ram 1500 Front Winch Bumper

Product Number: H2451, H2452, H2450

Application: 2009+ Ram 1500 Trucks

F. With the help of friends carefully lift the bumper into place lining up the mount towers into the previously installed frame mounts. Use the supplied ½" hardware as shown below. Do Not Fully Tighten



G. Using either the help of friends or a wood block on a floor jack under the bumper, locate the bumper to a .5" gap below the grill and headlights. Also align the bumper to the fenders from the side. Fully Tighten All bolts.

H. Optional: Trim Plastic Inner Fenders to match the bumper lines.





Installation Instructions

2009+ Ram 1500 Front Winch Bumper

Product Number: H2451, H2452, H2450

Application: 2009+ Ram 1500 Trucks

VI. Maintenance/Care

- Periodically check and tighten all nuts.
- Stripped, fractured, or bent bolts or nuts need to be replaced.
- Periodically grease the tire carrier pivot.
- Periodically check the tension of the latch hook..

VII. Contact Information

Fab Fours Inc.
10424 Rodney St.
Pineville, NC 28134

Phone (866)-385-1905
Fax (970)-385-1914
Email Support@fabfours.com



More than

Better than expected

expected...

