



Installation Instructions

Dodge Ram(Gen 2) Rear Bumper

Product Number: W1650

Application: '94-2002 Dodge Ram (Gen2) Heavy Duty 2500/3500

SAFETY

Your safety and the safety of others is very important.

- In order to help you make informed decisions about safety, we have provided installation instructions and other information.
- These instructions alert you to potential hazards that could hurt you or others.
- Please do a job safety analysis (JSA) before each task to identify potential hazards for your situation and remove/protect against them.
- You must use your own good judgment, and take your time.

Read and understand all safety precautions and instructions before installing this product.

THIS PRODUCT IS FOR OFFROAD USE ONLY. ALL LIABILITY FOR INSTALLATION AND USE RESTS WITH THE OWNER.

CARELESS INSTALLATION AND OPERATION CAN RESULT IN SERIOUS INJURY OR EQUIPMENT DAMAGE.

Injury hazard

Failure to observe these instructions could lead to severe injury or death.

- Always** remove jewelry and wear eye protection.
- Always** use extreme caution when jacking up a vehicle for work. Set emergency brake and use tire blocks. Locate and use the vehicle manufacturers designated lifting points. Use jack stands.
- Always** use appropriate and adequate care in lifting components into place.
- Always** insure components will remain secure during installation and operation.
- Always** wear safety glasses when installing this kit. A drilling operation will cause flying metal chips. Flying chips can cause serious eye injury.
- Always** use extreme caution when drilling on a vehicle. Thoroughly inspect the area to be drilled (on both sides of material) prior to drilling, and relocate any objects that may be damaged.
- Always** use extreme caution when cutting and trimming during fitting.
- Always** tighten all nuts and bolts securely per installation instructions.
- Always** route electrical cables carefully. Avoid moving parts, components that become hot and rough or sharp edges.
- Always** insulate and protect all exposed wiring and electrical terminals.
- Always** perform regular inspections and maintenance on mounts and related hardware.





Installation Instructions

Dodge Ram(Gen 2) Rear Bumper

Product Number: W1650

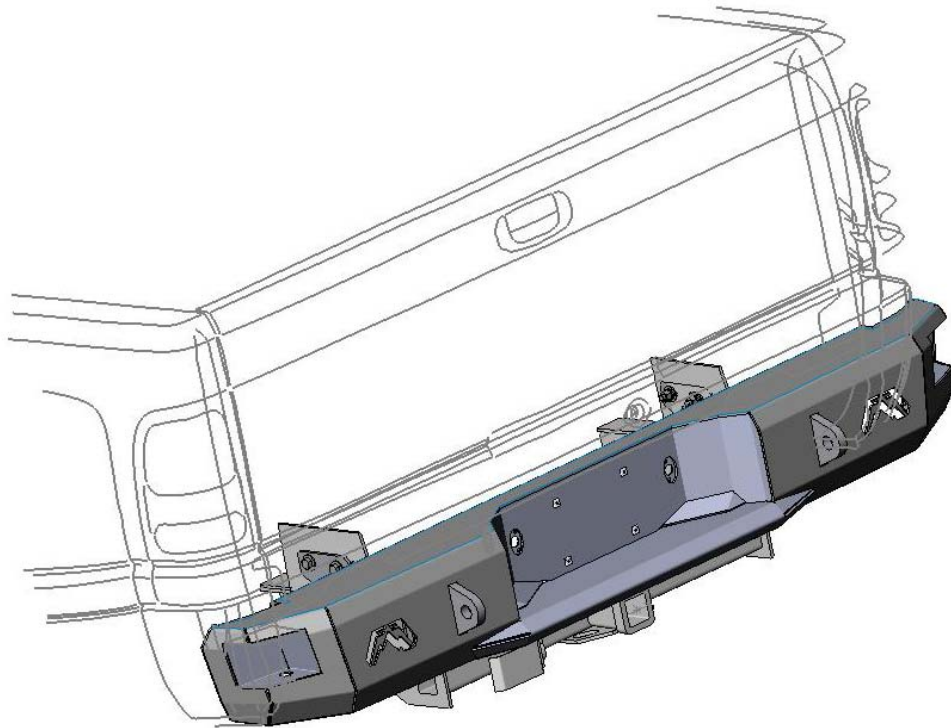
Application: '94-2002 Dodge Ram (Gen2) Heavy Duty 2500/3500

I. Overview

Congratulations on your new purchase of the industries' best and most stylish Rear Bumper available for the Gen 2 Dodge Ram 2500/3500's! This Bumper has been **engineered** for strength while keeping the weight down.

Your Rear Bumper designed in 3-D from digitized data, CNC laser cut, fabricated, and powder coated... all in the U.S.A.

Enjoy the fit and finish of a quality Gen 2 Dodge Ram Rear Bumper from Fab Fours Inc.





Installation Instructions

Dodge Ram(Gen 2) Rear Bumper

Product Number: W1650

Application: '94-2002 Dodge Ram (Gen2) Heavy Duty 2500/3500

II. Tools Required

- Socket Wrench with Extension
- Breaker Bar
- 3/4" & 18mm Sockets
- Flat and Phillips Head Screw Drivers
- 3/4" Box End Wrench
- T20 Torx Bit
- Floor Jack and wood block.

III. Removal of Stock Bumper

A. Using a 18mm socket loosen the three nuts per side holding the factory bumper brackets to the frame. Do Not Fully Remove bumper until it is supported.

B. With Bumper supported by others remove the fasteners completely and remove bumper by lowering and pulling out towards the back of the truck.

C. Using A #T20 Torx bit remove the screws holding the license plate lights to the plastic license plate support. Disconnect the wiring for the lights from the factory harness.

D. Remove the license plate.

E. Using a Phillips Head screw driver remove the 3 sheet metal screws holding the plastic license plate support from the truck.

F. Your Truck is Now Ready for the Installation of Your New Fab Fours Bumper!





Installation Instructions Dodge Ram(Gen 2) Rear Bumper

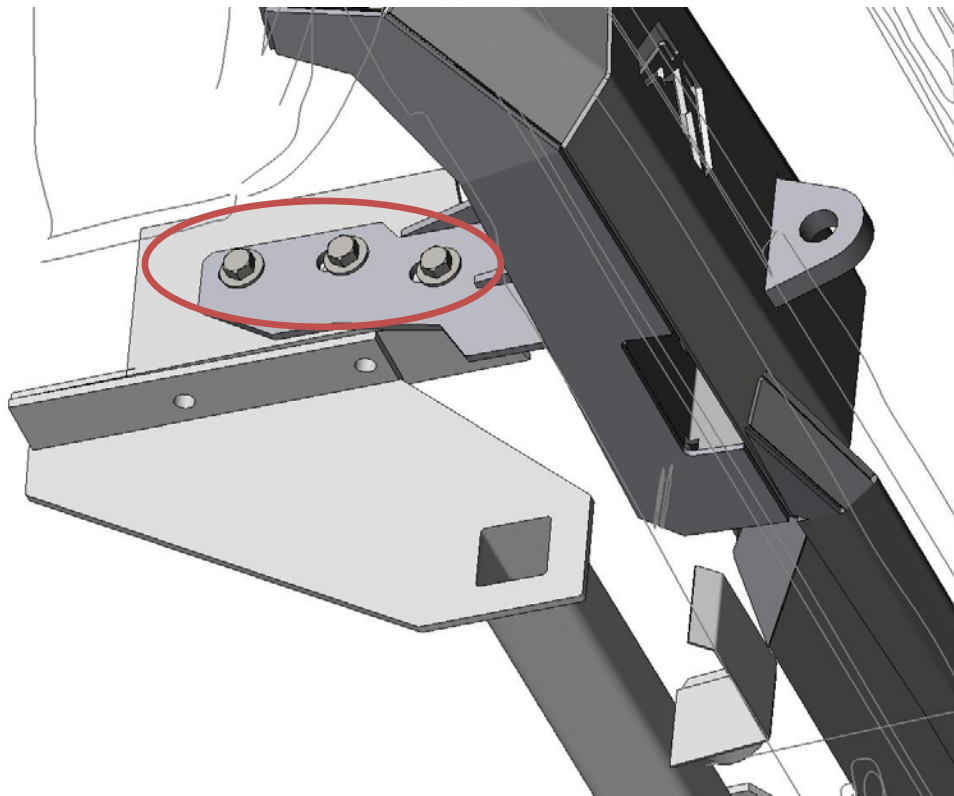
Product Number: W1650

Application: '94-2002 Dodge Ram (Gen2) Heavy Duty 2500/3500

IV. Rear Bumper Installation

NOTE: The Following Installation steps apply to the installation of the Front Winch Bumper. **PLEASE READ THE ENTIRE MANUAL BEFORE ATEMPTING INSTALLATION!** Ignoring these steps will increase your probability of scratching the vehicle during product Installation!

A. Using the supplied $\frac{1}{2}$ " Hardware install the supplied Bumper Mounting brackets to the frame as shown in the picture below, using flat washers on the bolt and nut side in addition to the lock washer on the nut side. Do Not Fully Tighten!



B. With the help of a couple friends and/or a floor jack raise the Fab Fours Rear Bumper up into place against the mounts.

C. With the bumper held into place insert the supplied $\frac{1}{2}$ "



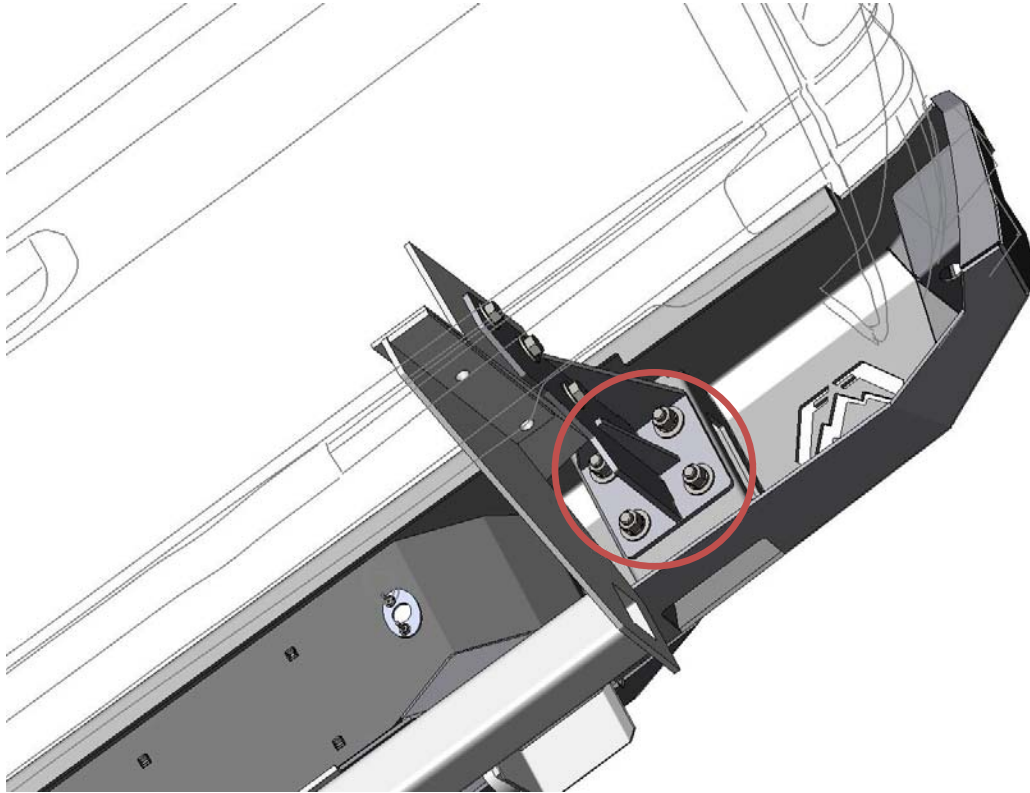


Installation Instructions Dodge Ram (Gen 2) Rear Bumper

Product Number: W1650

Application: '94-2002 Dodge Ram (Gen2) Heavy Duty 2500/3500

fasteners through the bumper and into the bumper brackets placing the nuts on the front side of the frame mount. Do Not Fully Tighten. See Image Below.



D. Align the bumper side to side and top to bottom to ensure a perfect fit to the truck. Allow for a 0.5" clearance to all painted surfaces if possible to allow for frame flex.

E. Check that the tailgate does not interfere with the bumper by opening it very carefully and lowering it into place. If tailgate is too close to the bumper, adjust bumper lower.

F. Fully tighten all fasteners between bumper and brackets and brackets and frame.

G. Install OEM license plate lights using supplied black machine screws and install light and plug back into the factory harness.





Installation Instructions Dodge Ram(Gen 2) Rear Bumper

Product Number: W1650

Application: '94-2002 Dodge Ram (Gen2) Heavy Duty 2500/3500

H. Install supplied license plate plastic nut inserts and license plate.

I. Enjoy your New Rear Replacement Bumper from Fab Fours!

V. Maintenance/Care

- Periodically check and tighten all fasteners.
- Stripped, fractured, or bent bolts or nuts need to be replaced.
- After washing of the vehicle make sure to fully dry all surfaces

VI. Contact Information

Fab Fours Inc.
10424 Rodney St.
Charlotte, NC 28134

Phone (866)-385-1905
Fax (866)-574-1424
Email Support@fabfours.com



More than expected... Better than expected

