

AIR CONTROL ACCESSORY KIT

INSTALLATION INSTRUCTIONS

Congratulations on your purchase of a new Firestone Air Control Accessory Kit. This kit was designed to provide in cab control of your Firestone air helper springs. This kit will be an asset to your vehicle, meeting most all of your air supply needs.

Please take a few minutes to read through the instructions, identify the components, and learn how to properly install your Air Control Accessory Kit.

NOTE:

The Air Control Accessory kit was designed to be used with the WR1-760-2047 Air Compressor Accessory Kit or other compressed air source mounted on the vehicle.

The Air Control Accessory kit can be used with all Firestone air helper springs products. If you are installing a Firestone suspension system do not install the air line tubing into the air springs as stated in the suspension system instruction manual. If you are adding the Air Control Accessory kit to an existing Firestone suspension system you will need to deflate the air springs and remove the air line tubing.

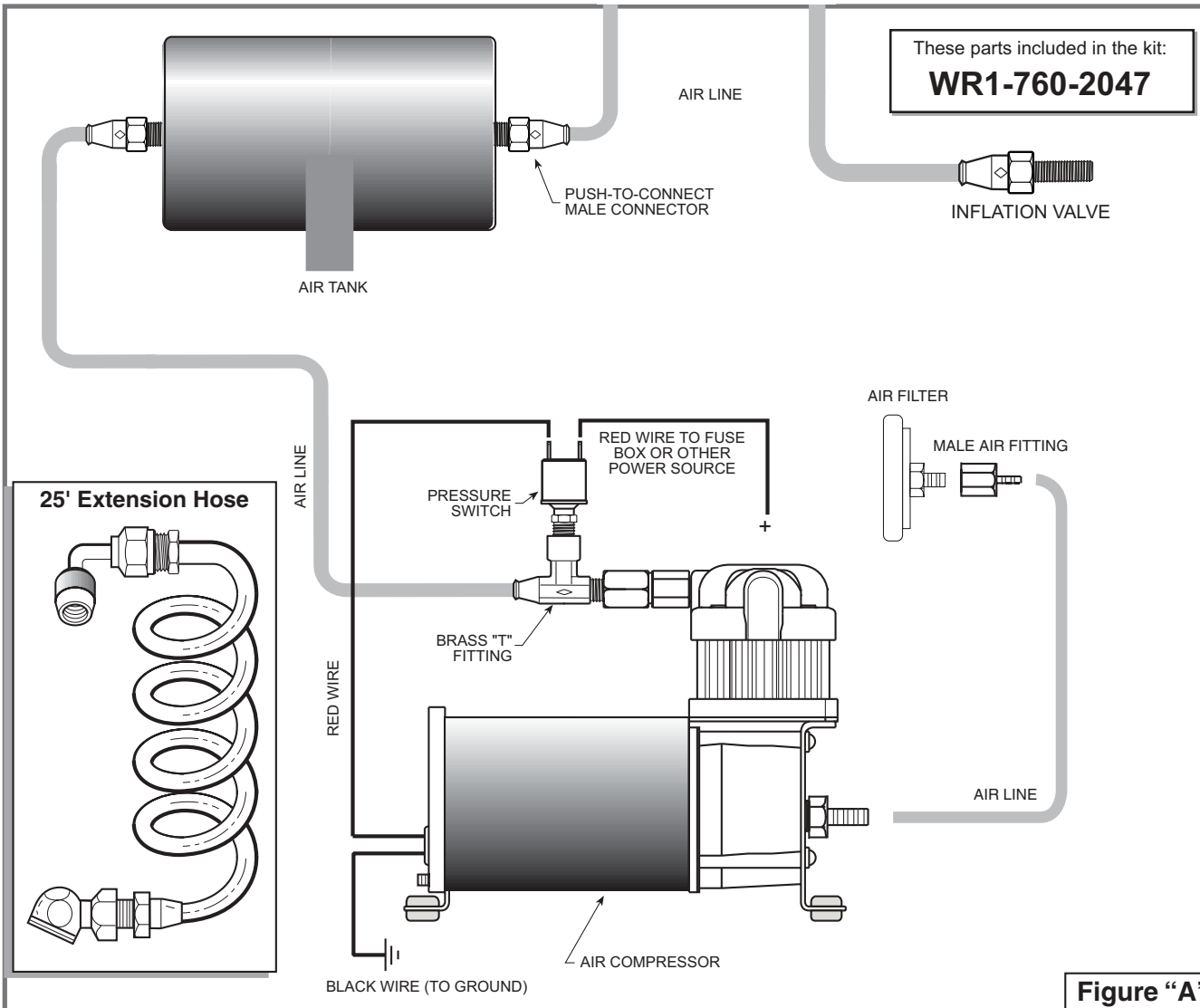
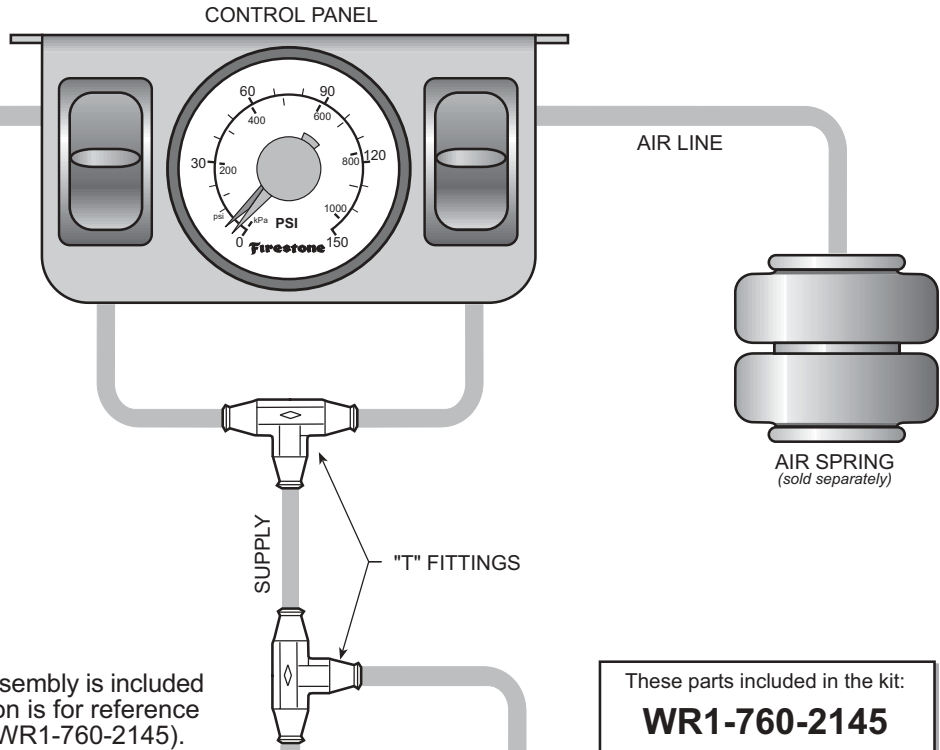
PARTS LIST

DUAL AIR CONTROL PANEL		1
30 FT. AIR LINE TUBING	9008	2
15 FT. 18 GAGE WIRE		1
10/32" X 1" MACHINE SCREW		2
10/32" LOCK NUT		2
"T" FITTING		2
#10 FLAT WASHER		4
NYLON TIES		6

TOOLS REQUIRED

3/16" DRILL BIT
3/8" DRILL BIT
DRILL
PLIERS
PHILLIPS SCREW DRIVER
SHARP KNIFE

Figure A



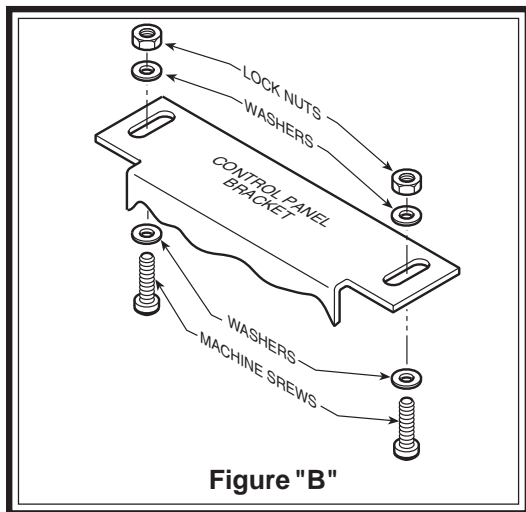


Figure "B"

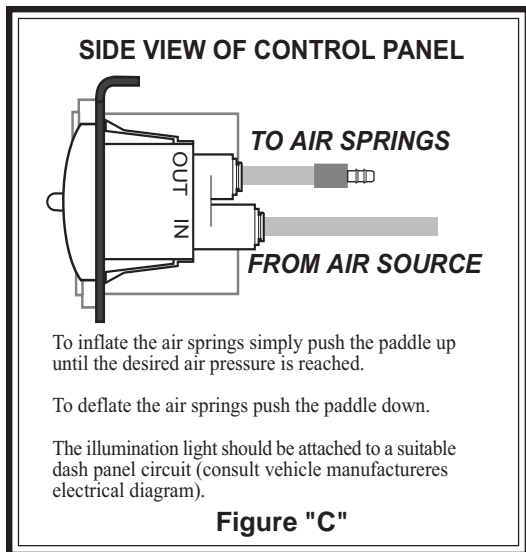


Figure "C"

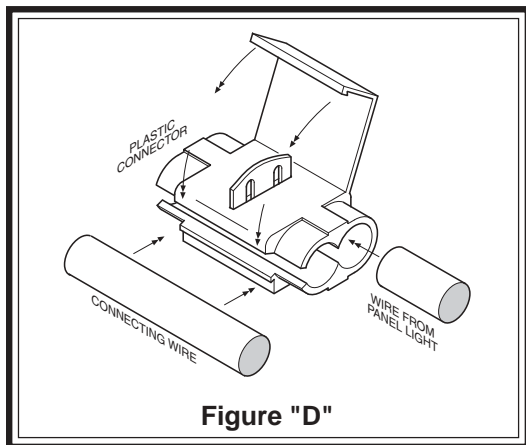


Figure "D"

NOTE ON CONNECTING THE AIR LINE TUBING

Cut the air line tubing as squarely as possible. To connect the air line tubing to the fittings push the tubing into the fittings as far as possible. If for any reason the tubing must be removed the collar of the fitting can be pushed toward the body of the fitting and the tubing can be removed. Make sure the air helper springs are deflated. To reassemble make sure the tubing is cut squarely and push back into the fitting.

STEP 1 LOCATING A MOUNTING AREA

Select a mounting surface under the dash of your vehicle or other protected location. Mark a 3/16" diameter hole at each of the mounting points use the dual air control panel as a template for marking the holes. Drill two 3/16" diameter holes at each of the marked areas refer to *Figure "B"*. **Do not attach the panel at this time.**

STEP 2 PREPARING THE DUAL AIR CONTROL PANEL

Cut two pieces of air line tubing 3 1/2" in length make sure the cut is as square as possible. Insert one of the 3 1/2" pieces of air line tubing into the lower hole marked "IN" of the paddle switch as shown in *Figure "C"*. Install the second piece of 3 1/2" air line tubing into the other paddle switch in the same location. Next attach one "T" fitting to both of the 3 1/2" pieces of air line tubing as to connect the two pieces see *Figure "A"*.

STEP 3 CHECK FOR AIR IN THE SYSTEM

If there is no air pressure in the air tank and/or the air springs please proceed with step 4. If the air tank has compressed air in it then the compressed air must be evacuated from the tank. If the air springs have been filled with compressed air they to must be evacuated of compressed air. This is done by turning off the ignition switch or by disconnecting the positive terminal on the battery. Then take the valve core out of the external inflation valve(s) or use a tire gauge to remove the compressed air from the tank and/or the air spring.

STEP 4 ROUTING THE AIR LINE TUBING TO THE AIR SOURCE

Route the air line tubing from the "T" fitting on the air control panel to the air source as shown in *Figure "A"* and *"C"*. A hole may need to be drilled in the fire wall to enable the air line to pass through the fire wall to the air source. Remember that three pieces of air line will pass through the hole in the fire wall. Make sure the air line tubing is protected from sharp edges. If the dual air control system is being installed in conjunction with the air compressor accessory kit (WR1-760-2047) install the air line into

one of the push-to-connect fittings on the air tank. **Do not fold or kink the air line tubing.** The air control panel and air source should now be connected.

STEP 5 INSTALLING THE MANUAL INFLATION VALVE

The "T" fitting used for routing air line tubing to the inflation valve must be placed between the air source and the air control panel. **Do not place the inflation valve between the air control panel and the air springs.** Install the "T" fitting by cutting the air line tubing between the air source and air control panel. Insert the two ends of the air line tubing into the "T" fitting as shown in *Figure "A"*. Next route the air line tubing from the "T" fitting to the inflation valve and install.

STEP 6 ROUTE THE AIR LINE TUBING TO THE AIR SPRINGS

Before attaching the air line tubing to the air control panel soak the ends of the air line tubing in warm water for about 5 minutes. This will allow the air line to become malleable thus allowing the air line to slide over the barbed fittings. Do not use pliers to work the air line onto the barbed fittings. Once the air line tubing has soaked in the warm water slide the air line onto the barbed fitting making sure the air line tubing completely covers the barbed end of the fitting refer to *Figure "C"*. Route the air line tubing from the left side of the air control panel to the left side air spring being careful not to fold or kink the air line tubing. Cut the air line tubing as squarely as possible and insert the air line tubing into the push-to-connect fitting on the air spring. Next, route the air line from the right side of the control panel to the right side air spring. Cut the air line tubing as squarely as possible and insert the air line tubing into the push-to-connect fitting on the air spring. Use the nylon ties included in the kit to secure the air line to the vehicle.

Note: Avoid sharp edges, exhaust systems and other areas that may cause damage to the air line tubing.

STEP 7 ATTACHING THE AIR CONTROL PANEL TO THE DASH

Place the air control panel on the dash where the holes were drilled in step 2. Using the machine screws and nuts provided in the kit attach the air control panel to the dash or other appropriate surface see *Figure "B"*.

STEP 8 WIRING THE AIR CONTROL PANEL FOR ILLUMINATION

There are two wires one red and one black attached to the gauge on the back of the air control panel. Connect the red wire to a suitable fused dash panel circuit for illumination. Consult the vehicle manufacturers electrical diagram. The black wire is to be connected to a suitable ground source.

Included in the kit are plastic connectors to assist in wire connection. To use the connectors simply insert the red wire into one hole in the plastic connector and slip the connecting wire into the other hole see *Figure "D"*. Once the wires are in place close the top of the plastic connector. The connector will pierce the wire insulation and make a connection with the wire. Pliers can be used to assist in closing the top of the connector. Care should be taken not to crush the connector.

NOTE: Should additional wire be necessary, use 18 gage multistrand wire.

YOU ARE NOW READY TO TEST THE SYSTEM

With the Ride-Rite air compressor accessory kit, air control accessory kit and Firestone suspension products installed you are ready to test the system.

Turn on the ignition. The air compressor will run for a short time to build up pressure in the tank. Once this air pressure reaches approximately 120 psi the compressor will shut off. Each of the air line tubing connections can be inspected with a soap and water solution applied to the fittings where the air line enters the fitting. If a leak is detected the air line may not be pushed all the way in or cut squarely.

NOTE: The air control accessory kit is designed to monitor the air pressure in the air springs not the air tank pressure. If you are reading pressure at start up, the air line tubing connections may be reversed. Please review these connections.

SYSTEM OPERATION

When the vehicle is loaded, the rear of the vehicle may drop several inches. The air control accessory kit allows the air springs to be inflated from inside the vehicle. Push the paddle up to inflate the air springs and push the paddle down to deflate the air springs. The left paddle controls the left side air spring while the right side paddle controls the right side air spring. This air accessory item provides front-to-rear as well as side-to-side leveling.

If the air compressor fails to operate for any reason air can be introduced into the system by using the external inflation valve installed with the air compressor accessory kit. This is accomplished by attaching an air supply line to the external inflation valve and operating the dual air controls normally.

