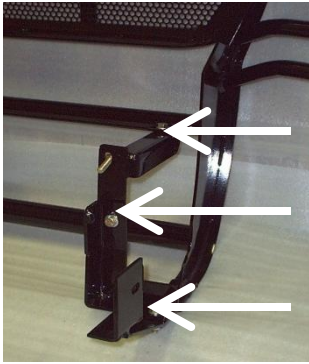


2004-2008 Ford F-150, Grille Guard Installation Instructions. Part # 200-50-6004, XGG Part # 700-50-6004



Quantity	Description
6	1/2 inch x 1-1/2 inch flat w washers
2	pre-punched steel plates
12	1/2 inch x 1 inch flat w washers
10	1/2 inch Hex nuts
10	1/2 inch lock Washer
2	1/2 inch X 6 inch bolts
8	1/2 inch X 1-3/4 inch bolts
50	Total Pieces

Frontier Truck Gear © 2007



Upper support bracket

Frame Horn Bracket

Side Body Mount Bracket

Step 1: Pull out plastic pegs that hold rubber flap on the bottom, but do not remove rubber. Remove plastic punched grate from bumper opening on both sides (if installed).

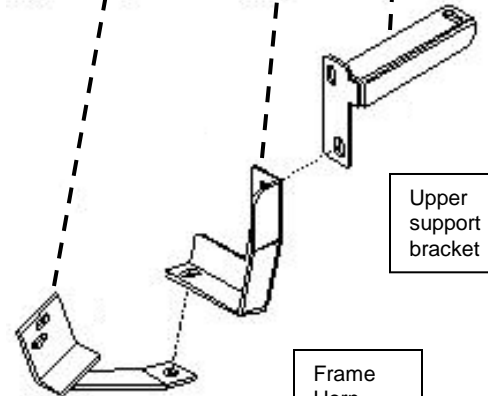
Step 2: Insert upper support bracket into bumper opening and bolt to the front side of the factory frame plate (using 1/2" x 1 3/4" bolts) NOTE: On upper bolt use the 1/4" X 2" X 2" steel pre-punched plates as washers. **How to determine driver and passenger side?** The triangle gussets will face each other toward the center of the bumper. The clean side of the angle on the arm will show on the outside.

Step 3: Attach frame horn bracket using the bottom bolt installed in step 2. This is the same bolt that holds the upper support bracket to the frame plate. The angle in the bracket should face the inner side of truck.

Step 4: Position Grille Guard on truck by attaching it to upper GG brackets with supplied bolts. Place Grille Guard tab on top of upper support bracket. Align bottom foot of Grille Guard with pre-punched hole of frame horn bracket installed in step 3. (**IMPORTANT:** check alignment and position of Grille and snug bolts to prevent shifting later. Hint: check alignment by measuring the distance between the loop and the body and the position of the loop to the truck head lights).

Step 5: Attach side body mount bracket along outside of frame by sliding it up into body mount shackle. Put long bolt, that is supplied, through the entire frame rail and into bracket.

Step 6: When Grille is aligned, attach bottom foot of Grille to the pre-punched holes of the brackets installed in step 5. Tighten all bolts. Reattach rubber flap for proper air flow to condenser.



Upper support bracket

Frame Horn Bracket

Side Body Mount Bracket