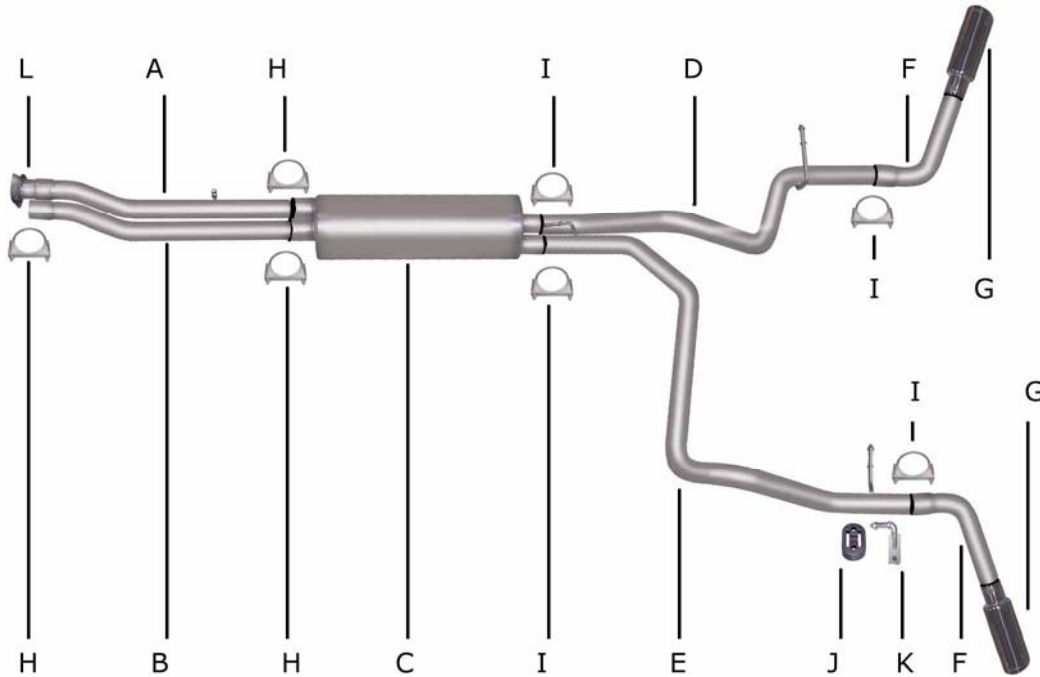




PERFORMANCE EXHAUST SYSTEMS

INSTRUCTION MANUAL
CAT-BACK DUAL EXTREME EXHAUST
02-06 CADILLAC ESCALADE EXT/ESV
6.0L, AWD, 4 DOOR
PART # 5564



ITEM	PART #	QTY.	DESCRIPTION
A	700508	1	2.5" PASS SIDE HEADPIPE W/GP-105 FLANGE
B	700509	1	2.5" DRIVERS SIDE HEADPIPE
C	788701	1	SUPERFLOW MUFFLER
D	700647	1	2 ¼" DRIVER SIDE TAILPIPE W/ HANGER
E	700648	1	2 ¼" PASS SIDE TAILPIPE W/ HANGER
F	700565	2	2 ¼" EXIT PIPE
G	500395	2	3 ½" STAINLESS TIPS
H	5757	3	2 ½" CLAMPS
I	5756	4	2 ¼" CLAMPS
J	4241	1	REAR TAILPIPE HANGER
K	4240	1	RUBBER GROMMET
L	BO-1028	1	BOLT KIT FOR HEADPIPE

*Thank you for purchasing our GIBSON EXHAUST SYSTEM for your vehicle.
If you need further assistance, please do not hesitate to call our Technical Department
at (800) 528-3044, Monday through Friday, 8:00 am to 5:00 pm 0506*

EXHAUST INSTALLATION #5564

WHEN INSTALLING THIS EXHAUST SYSTEM MAKE SURE TO USE ALL THE PROPER SAFETY PRECAUTIONS. USE JACK STANDS WHEN UNDER TRUCK, SET PARKING BRAKE, BLOCK TIRES AND USE SAFETY GLASSES.

DO NOT WORK WITH HOT PIPES!

SUGGESTED TOOLS:

15MM SOCKET, 9/16" SOCKETS, 1/2" SOCKET, 1/2" WRENCH, JACKSTAND, HACKSAW, WD-40

LAY OUT THE EXHAUST AND COMPARE PART NUMBERS WITH THE DRAWING.



TO REMOVE STOCK EXHAUST CUT YOUR STOCK TAILPIPE OFF, REMOVE HANGERS FROM RUBBER GROMMETS, USE WD-40 TO HELP WITH REMOVAL. NOW UN-BOLT YOUR FACTORY EXHAUST AT THE FLANGES LOCATED JUST AFTER YOUR Y-PIPE.



INSTALL PASSENGER SIDE TAILPIPE # E INTO MUFFLER 1-1/2" TO 2" . INSERT WELDED HANGER INTO RUBBER GROMMET. USE CLAMP #I TO SECURE PIPE TO MUFFLER. DO NOT TIGHTEN.



BOLT PASSENGER SIDE HEADPIPE # A ONTO FACTORY DOME USING HARDWARE KIT # L. DO NOT TIGHTEN. INSERT HANGER INTO RUBBER GROMMET, NEXT SLIP DRIVER SIDE HEADPIPE # B ONTO FACTORY PIPE USE CLAMP # H TO SECURE. DO NOT TIGHTEN



INSTALL DRIVERS SIDE OVERAXLE TAILPIPE # D INTO MUFFLER 1-1/2" TO 2". ATTACH TO MUFFLER OUTLET USING CLAMP #I INSERT WELDED HANGERS INTO RUBBER GROMMETS. DO NOT TIGHTEN.



NEXT INSTALL MUFFLER #C. SLIDE IT ONTO HEADPIPE 1-1/2" TO 2". ATTACH TO HEADPIPES WITH CLAMP # H. INLET SHOULD GO TOWARDS THE MOTOR. INLET OF MUFFLER IS LOOKING INTO THE LOUVERS. DO NOT TIGHTEN. OUTLETS WILL BE ON THE BOTTOM.



INSTALL EXIT PIPES #F ONTO TAILPIPE. ROTATE EXIT PIPE AND TAILPIPE TO GET THE BEST FIT FOR YOUR VEHICLE WITH PROPER CLEARANCES. USE CLAMP #I TO SECURE TOGETHER. DO NOT TIGHTEN.



NEXT INSTALL DRIVER SIDE TAILPIPE HANGER # J ON TO REAR OF FRAME. YOU WILL REMOVE THE FACTORY AIR PUMP BRACKET AND INSTALL OUR BRACKET IN BETWEEN PUMP AND FRAME. INSTALL GROMMET #K ONTO REAR TAILPIPE HANGER



INSTALL YOUR STAINLESS STEEL TIPS. TO CLEAN TIPS USE ANY STAINLESS OR ALUMINUM CLEANER AND A SCOTCH BRITE PAD. NOW GO BACK AND TIGHTEN ALL NUTS, BOLTS AND CLAMPS STARTING FROM THE FRONT AND WORKING BACK.

MAKE SURE YOU HAVE A MINIMUM OF A 1" CLEARANCE ON ALL PIPES FROM BRAKE & FUEL LINES. TIRES. SHOCKS. ETC...