

Hellwig PRODUCTS.com

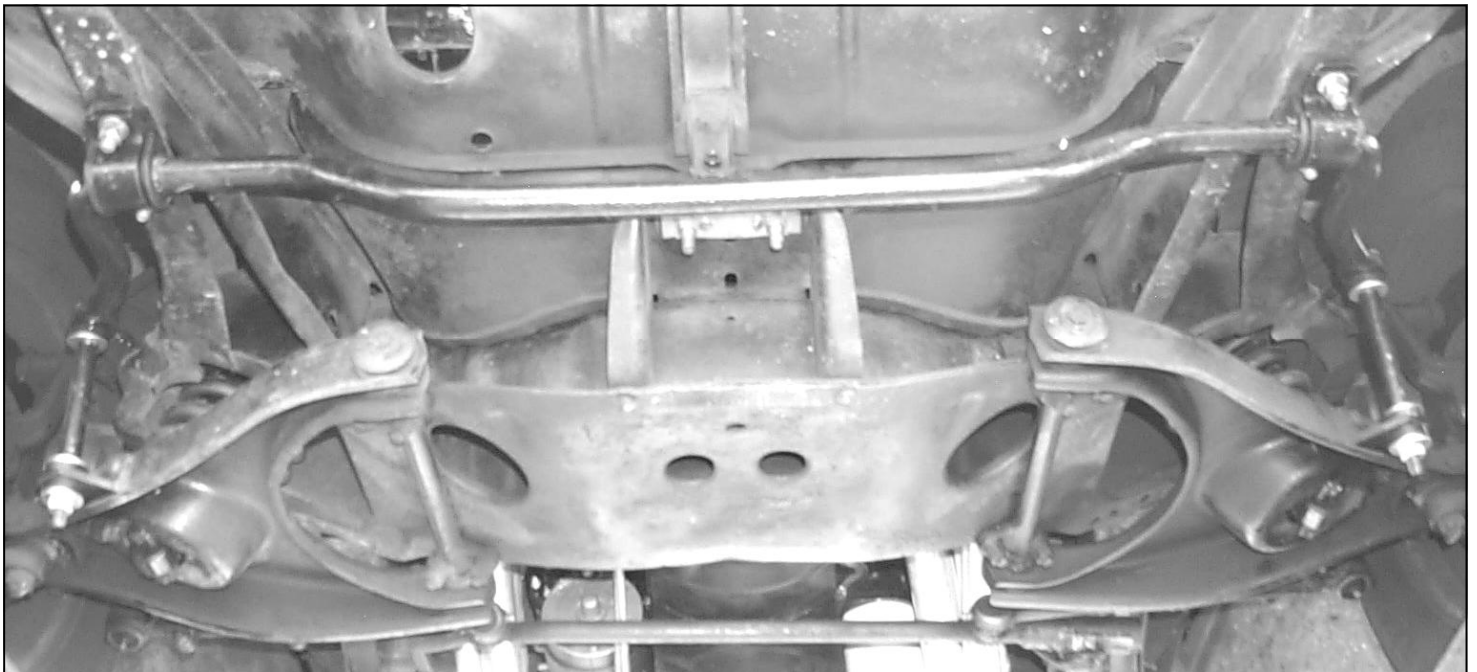
559-734-7451 800-367-5480 FAX 559-734-7460

INSTALLATION INSTRUCTIONS

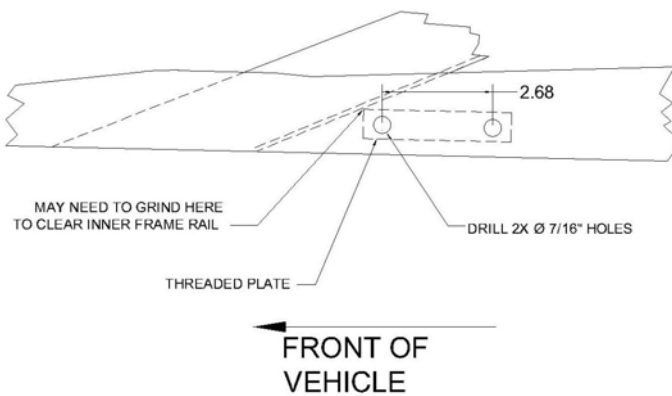
Front Stabilizer Bar

1955-1957 Chevrolet Full Size

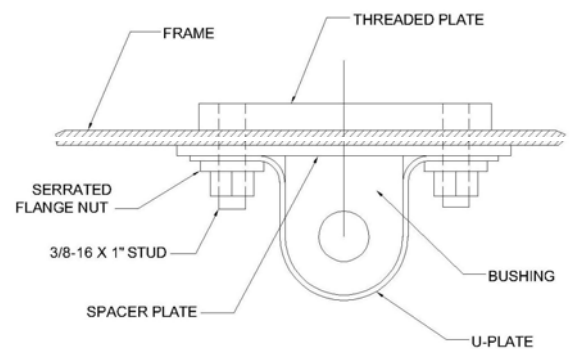
Thank you for purchasing a quality Hellwig Product.



FRAME DRILLING DETAIL



BUSHING ATTACHMENT

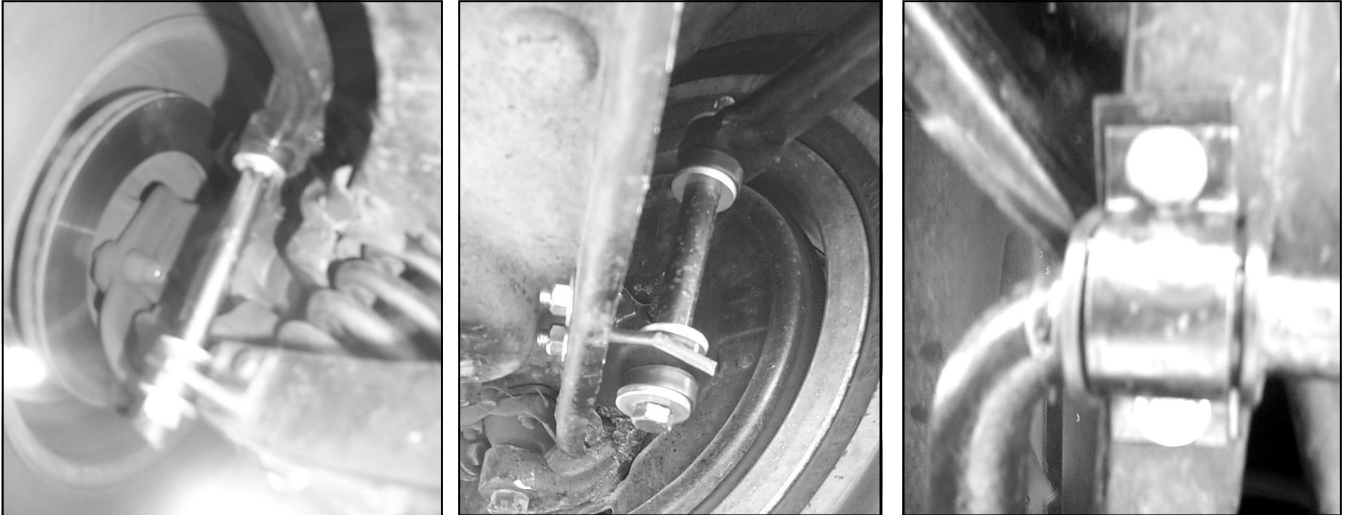


5721(R-5721)

01/15/07

Hellwig PRODUCTS.com

559-734-7451 800-367-5480 FAX 559-734-7460



TORQUE TABLE

Bolt Size 3/8"— 35 ft lbs * Bolt Size 7/16"— 45 ft lbs* Bolt Size 1/2"—75 ft lbs *Bolt Size 9/16"— 90 ft lbs

SAFETY: BEFORE BEGINNING INSTALLATION BE SURE TO SET THE PARKING BRAKE AND CHOCK THE WHEELS.

NOTE: TO EASE INSTALLATION AND PROPERLY ADJUST THE BAR, THE WEIGHT OF THE VEHICLE MUST BE ON THE SUSPENSION AS IF DRIVING DOWN THE ROAD. DO NOT RAISE THE VEHICLE BY THE FRAME.

NOTE: THIS KIT REQUIRES DRILLING THE FRAME RAIL AND LOWER CONTROL ARMS. INSTALLER MUST ENSURE BAR WILL INSTALL CORRECTLY BEFORE DRILLING ANY HOLES.

1. Place the D shaped bushings onto the straight areas of the bar on each side of the center hump as close to the outside bend as possible as shown in photo on page 1. Install U-plates on D-bushings.
2. Pre-assemble end links, bushings, and control arm mounting brackets to sway bar as shown in photos.
3. Using a floor jack or other means to hold sway bar in position, raise sway bar up to frame rail and align sway bar so that the control arm mounting brackets contact the control arms when the end links are vertical. Align sway bar for best fit. Make sure the sway bar will not interfere with the frame or any components as it rotates.
4. Align U-plates with frame rail. On 1955 and 1956 models, keep in mind that the inner frame rail section can cause interference with the threaded plate so it is best to note installation of threaded plate when locating U-plates. It may be necessary to grind a corner of the threaded plate to allow best alignment of U-plates.
5. When satisfied with fit, mark holes on frame rails for U-Plates. Use threaded plate as a guide for hole spacing. Check clearance of threaded plate to inner frame before drilling holes. .
6. Drill two 7/16" holes in each frame rail.
7. Attach U-plates to frame rail with 3/8-16 X 1" studs and serrated flange nuts as shown in diagram on page 1. Leave loose for adjustment later.

Hellwig PRODUCTS.com

559-734-7451 800-367-5480 FAX 559-734-7460

8. Align end links and end link mounting brackets on control arm so that end links are as vertical as possible.
9. When satisfied with fit, mark holes on control arms for mounting brackets and drill two 13/32" holes in each control arm.
10. Attach end link mounting brackets to control arm using 3/8-16 X 1" bolts and serrated flange nuts.
11. Align sway bar and end links and tighten 3/8" mounting bolts to 25 ft-lb.
12. Tighten locknut on end of end link until bushings start to bulge slightly.
13. **Bounce the vehicle checking for clearance on all under carriage components.** Test drive the vehicle and recheck all clearances and the installation alignment. Adjust as needed. Re-check your installation after one week of driving and periodically on a regular basis.

