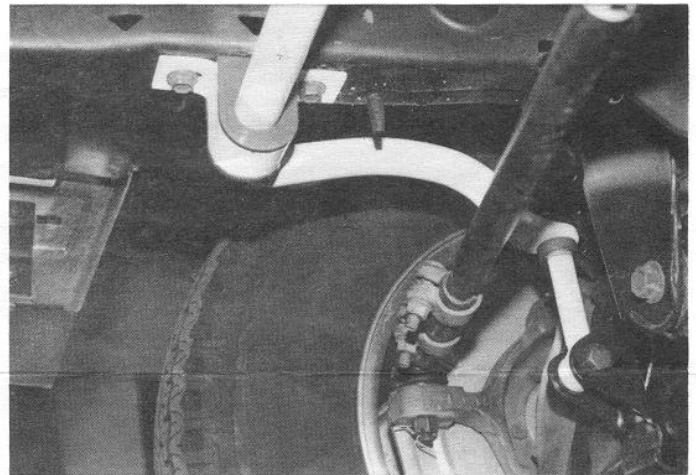
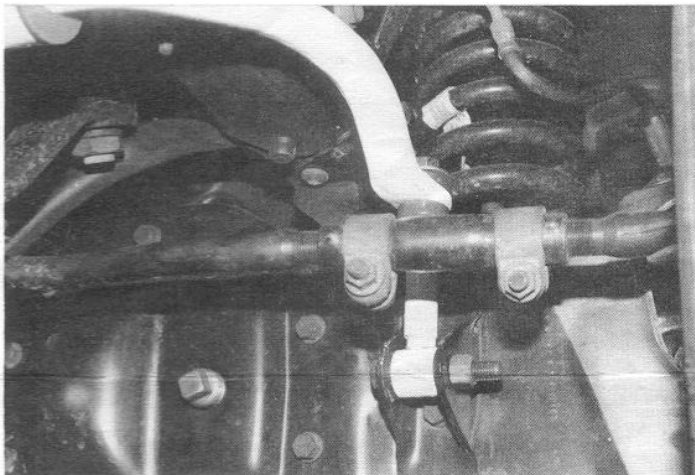




# HELLWIG INSTALLATION INSTRUCTIONS

FACTORY AND GENERAL OFFICES • 16237 AVENUE 296, VISALIA, CA 93292 • (209) 734-7451

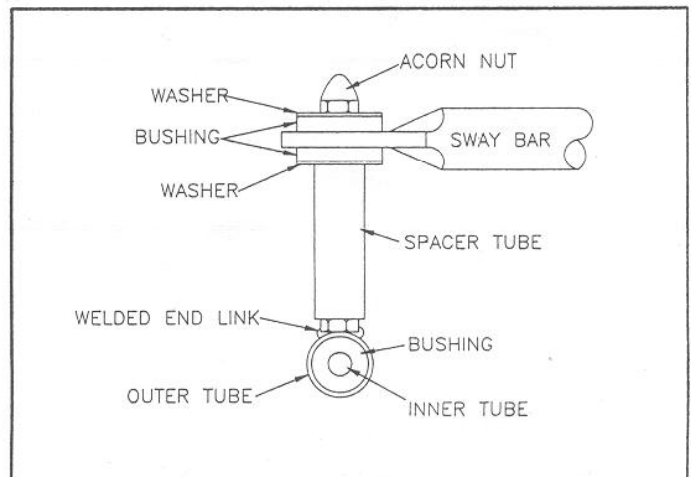
**READ THIS INSTRUCTION SHEET COMPLETELY BEFORE STARTING YOUR INSTALLATION**



### TORQUE RATINGS

3/8 Inch . . . . .	35 ft. lbs.
7/16 Inch . . . . .	45 ft. lbs.
1/2 Inch . . . . .	75 ft. lbs.
9/16 Inch . . . . .	90 ft. lbs.
5/8 Inch . . . . .	120 ft. lbs.

**CAUTION**  
Stay Clear of Brake Lines



**NOTE:** THIS UNIT IS DESIGNED TO REPLACE THE FACTORY INSTALLED FRONT ANTI-SWAY BAR.

**IMPORTANT:** IF YOUR VEHICLE DID NOT COME WITH A FACTORY INSTALLED FRONT SWAY BAR, IT WILL BE NECESSARY TO PURCHASE THE END LINK MOUNTING BRACKET PART NUMBER FOTZ5486A FROM YOUR LOCAL FORD DEALERSHIP.

1. Remove the factory installed front anti-sway bar and all mounting hardware.
2. As per the Diagram and Photo #1, attach the end links to the ends of the anti-sway bar. **DO NOT OVERTIGHTEN.** Tighten the end links only until the bushings begin to bulge slightly.
3. Using the large bolt provided, connect the end links to the attached mounting bracket. LEAVE LOOSE AT THIS TIME. (See Photo #1)
4. Place the D-shaped poly bushings on the back of the bar to line up with the frame.
9. Re-check your installation after one week of driving and every thirty (30) days thereafter.

**ATTENTION INSTALLER:** BE SURE THE CUSTOMER RECEIVES THIS INSTRUCTION SHEET, ALL IMPORTANT NOTE CARDS, WARNING CARDS, AND THE WARRANTY FORM.

(7574) Form No. R-326

8. Torque all mounting bolts to the specifications.
9. Re-check your installation after one week of driving and every thirty (30) days thereafter.

**ATTENTION INSTALLER:** BE SURE THE CUSTOMER RECEIVES THIS INSTRUCTION SHEET, ALL IMPORTANT NOTE CARDS, WARNING CARDS, AND THE WARRANTY FORM.

(7574) Form No. R-326