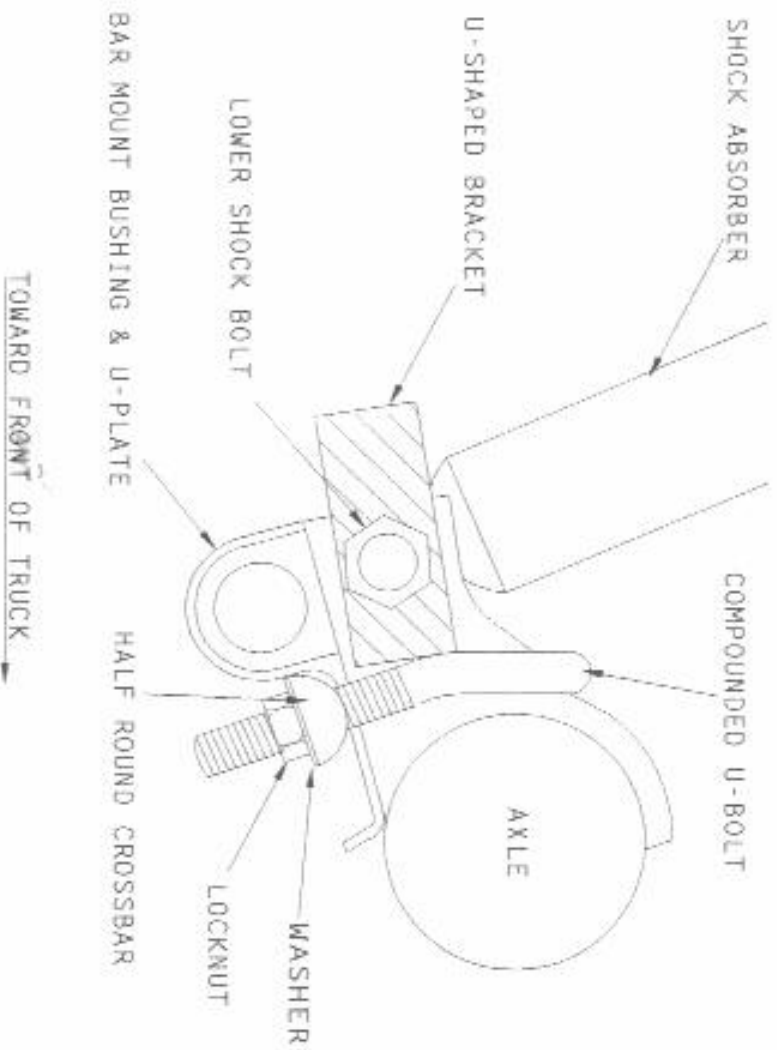


# IMPORTANT INSTALLATION NOTE

## TO AVOID POSSIBLE SHOCK ABSORBER DAMAGE!



REMOVE THE LOWER SHOCK NUT AND BOLT, INSTALL THE U-SHAPED BRACKET AROUND BEHIND THE SHOCK SO THE ENDS OF THE BRACKET HOLD THE COMPOUNDED U-BOLT AWAY FROM THE SHOCK ABSORBER TO AVOID POSSIBLE CONTACT BETWEEN THE U-BOLT AND THE SHOCK. REPLACE THE LOWER SHOCK BOLT WITH THE LONGER BOLT, WASHERS, AND LOCKNUTS PROVIDED.

(7585)

INSERT R-310