

INSTALLATION INSTRUCTIONS

EQUIPMENT REQUIRED: NONE

WIRING ACCESS LOCATION: SUV1, SUV2

DRILL BITS: NONE

HITCH REQUIRES 5/8" PIN & CLIP IF STABILIZING PIN IS NOT INSTALLED.

WRENCHES: (TIGHTEN ALL FASTENERS WITH TORQUE WRENCH) 18mm

VEHICLE

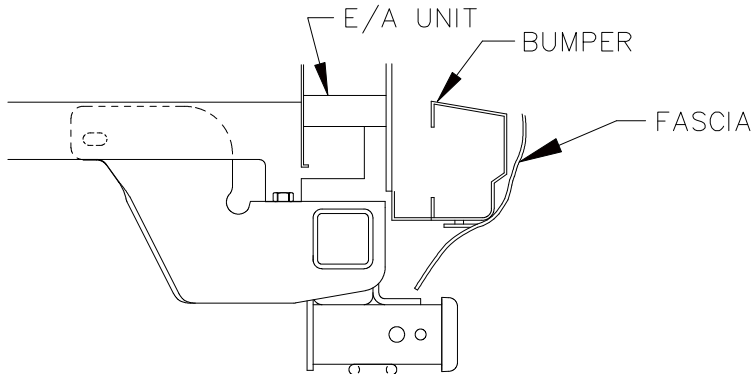
HITCH NO.

MERCURY VILLAGER
NISSAN QUEST

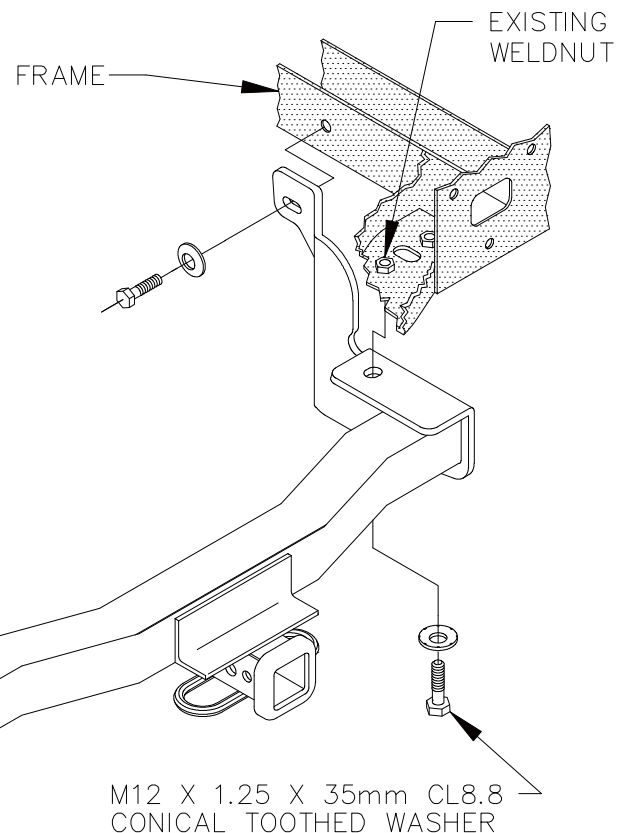
75089
33001
87668

DO NOT EXCEED LOWER OF
TOWING VEHICLE MFR'S RATINGS OR

HITCH TYPE ▼	MAX GROSS TRLR WT(LB)	MAX TONGUE WT(LB)
WEIGHT DISTRIBUTING	5000	500
WEIGHT CARRYING BALL MOUNT	3500	350



HITCH SHOWN IN PROPER POSITION



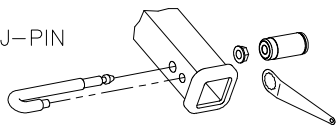
M12 X 1.25 X 35mm CL8.8
CONICAL TOOTHED WASHER

EXISTING
WELDNUT

M12 X 1.25 X 35mm CL8.8
CONICAL TOOTHED WASHER

OPTIONAL LOCKING STABILIZING PIN

J-PIN



(Order Separately)

1. ON 1998 AND LATER VEHICLES REMOVE THE (2) REARMOST RUBBER EXHAUST HANGERS AND LOWER VEHICLE EXHAUST.

2. RAISE HITCH INTO POSITION AND INSTALL FASTENERS AS SHOWN ABOVE.

NOTE: DUE TO VEHICLE VARIATION, EXHAUST HANGER BRACKET ON PASSENGER'S SIDE MAY NEED TO BE ADJUSTED TO ALLOW FASTENER INSTALLATION.

3. REATTACH VEHICLE EXHAUST IF LOWERED IN STEP 1.

TIGHTEN ALL M12 CL8.8 FASTENERS TO 68 LB.-FT

THIS PRODUCT COMPLIES WITH SAFETY SPECIFICATIONS AND REQUIREMENTS FOR CONNECTING DEVICES AND TOWING SYSTEMS OF THE STATE OF NEW YORK AND V.E.S.C. REGULATION V-5.

APPROX WEIGHT (LB.)
37

FASTENER KIT
01131-051

NOTE: Check hitch frequently, making sure all fasteners and ball are properly tightened. If hitch is removed, plug all holes in trunk pan or other body panels to prevent entry of water and exhaust fumes. A hitch or ball which has been damaged should be removed and replaced. Observe safety precautions when working beneath a vehicle and wear eye protection. Follow car maker's specs for maximum trailer weight and tongue weight. Do not cut access or attachment holes with a torch.

TOWING PRODUCTS

Plymouth, Michigan