

HUSKY LINERS

ALUMINUM ACCESSORIES

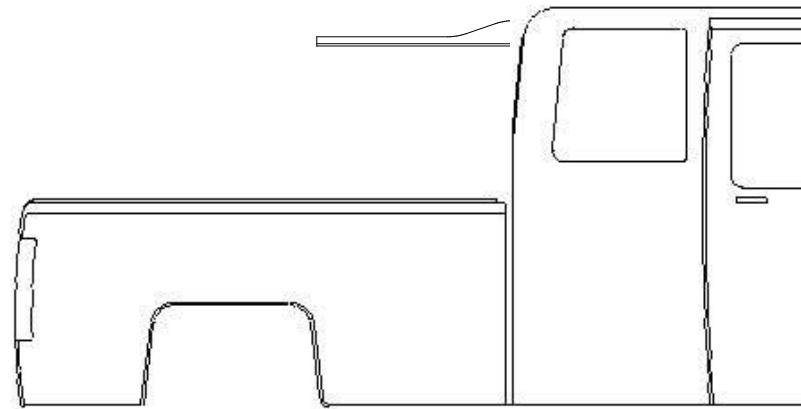
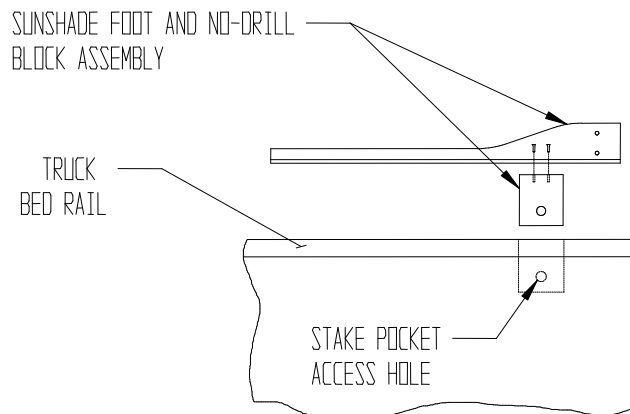
620.221.2268 – 800.344.8759 – (Fax) 620-221-7423 – P.O. Box 839 – Winfield, KS 67156

FORD LIGHT DUTY SUNSHADE INSTALLATION INSTRUCTIONS

HUSKY LINER SUNSHADES ARE A LIGHT DUTY ALTERNATIVE TO OUR CONTRACTOR'S RACK. THEY WILL PROVIDE SOME SUN BLOCKAGE, ADDITIONAL SECURITY FOR A SLIDING BACK GLASS AND LIMITED PROTECTION AGAINST ITEMS STRIKING THE BACK GLASS. SUNSHADES ARE NOT DESIGNED TO ACCOMMODATE THE MOUNTING OF ITEMS SUCH AS AUXILIARY LIGHTS, ANTENNAE, LIGHT BARS, ETC. THE ADDITION OF SUCH ITEMS ON THE HUSKY LINERS SUNSHADE WILL VOID ANY WARRANTIES. USE THE HUSKY LINER CONTRACTOR'S RACK FOR APPLICATIONS REQUIRING MOUNTING SUCH ITEMS.

Materials List: 1- Sunshade, 2- Mounting Feet, 2 - Mounting Blocks, 2- 5/8" Hex head Bolts, 2-5/8" Washers 4-3/8" Flathead Bolts, 6 Each- 1/4" Bolts, Nuts, Flat Washers And Lock Washers

- Follow the instructions below to attach the Rack.
- Attach one of the aluminum blocks to each of the Mounting Feet using the 3/8" x 1" Flathead bolts. Note that DS (driver) and PS (passenger) are marked on the blocks for identification. Only engage the bolts 3 or 4 turns at this time.
- Slide the Rack Foot and the aluminum block assembly into the truck bed stake pocket with the foot upright towards the outside of the truck bed.
- Insert the 5/8" bolts with the 5/8" washer through the access hole of the stake pocket and thread the bolt into the aluminum block positioned in the stake pocket. Finger tighten all of the bolts at this time.
- If the truck is equipped with a bed liner it will be necessary to remove or pull the liner away from the truck bed to access the hole of the stake pocket. If preferred a hole (large enough to fit the washer through) may be drilled through the liner.
- Attach the Rack to the inside of the Mounting Feet using the 1/4" bolts and firmly tighten all fasteners to complete the installation. Do not over-tighten the 3/8" Flathead bolts.
- Attach the 2 U-Clamps (one on each side) to the rearward end of each foot. The clamps hold the rear of the foot in place and prevent the sunshade from tipping forward should undo forward forces be applied to the sunshade.
- If bolts loosen, a removable thread locker such as Loctite 242 may be applied.



RACK / TRUCK SIDE VIEW