



## CHEVROLET CAMARO FRONT MUD GUARD INSTALLATION INSTRUCTIONS (5687)

*Please read instructions thoroughly before installation.*

### Tools Required

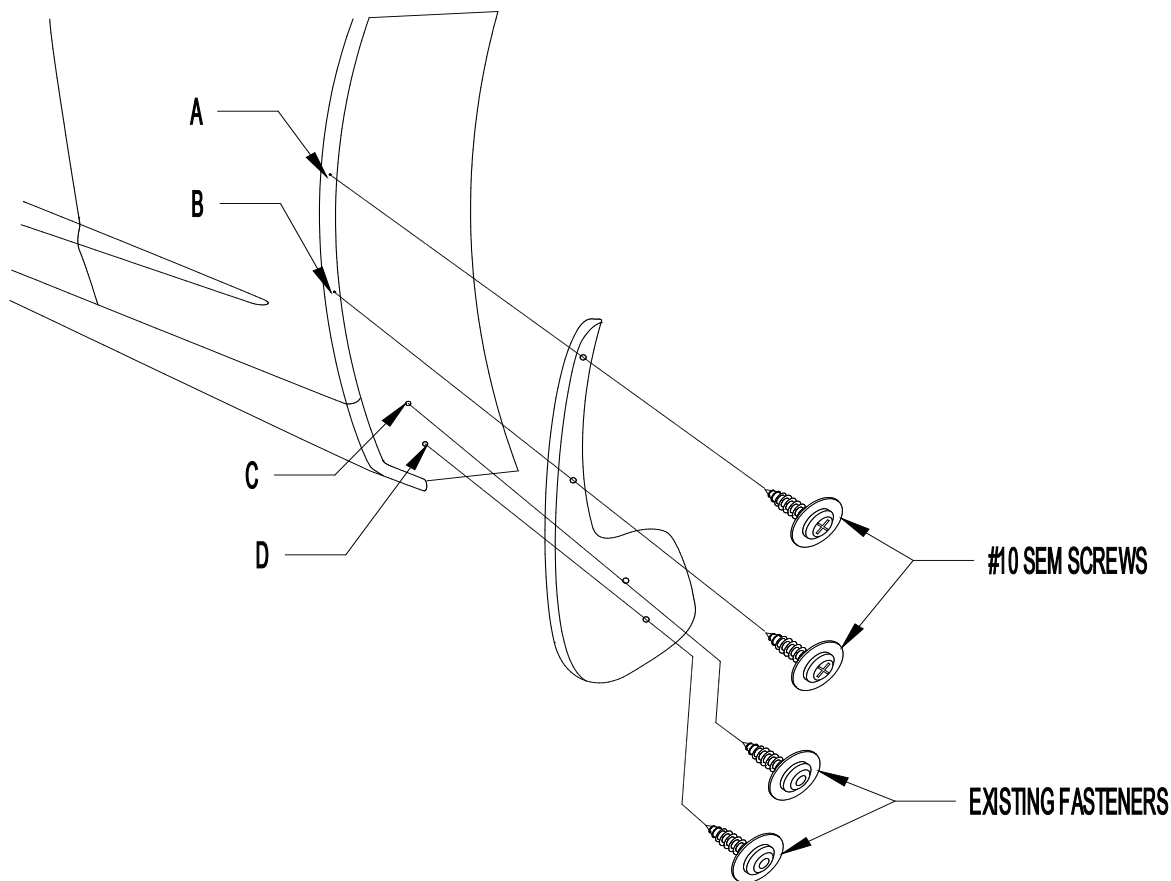
- Socket Wrench / Torx TR 15 Bit
- Phillips Head Screw Driver
- Drill / 1/8 Drill Bit

### Package Contents

- Driver & passenger side front mud guard
- Instruction sheet
- #10 SEM Screws (Qty 4)

**NOTE:** It may be necessary to remove the wheels depending on the tools being used for installation.

1. Clean and degrease the mud guard location area on the fender before installation.
2. Remove existing fastener from locations C and D.
3. Using the mudguard as a template mark and drill a 1/8" hole in locations A and B.
4. Attach mud guard at locations C and D to fender with existing fasteners. Check fit and level before tightening.
5. Install #10 SEM screws at locations A and B.



### PAINTING INSTRUCTIONS

**Note:** *If painting mud guards, perform a mud guard test fit to ensure correct fit and application prior to painting.*

1. Clean mud guard with a soap and water solution to remove dirt and other contaminants.
2. Sand painting surface with 320 grit sand paper.
3. Apply a coating of flexible primer-adhesion promoter.
4. Apply a flexible paint as directed by the paint manufacturer.



## CHEVROLET CAMARO REAR MUD GUARD INSTALLATION INSTRUCTIONS (5787)

*Please read instructions thoroughly before installation.*

### Tools Required

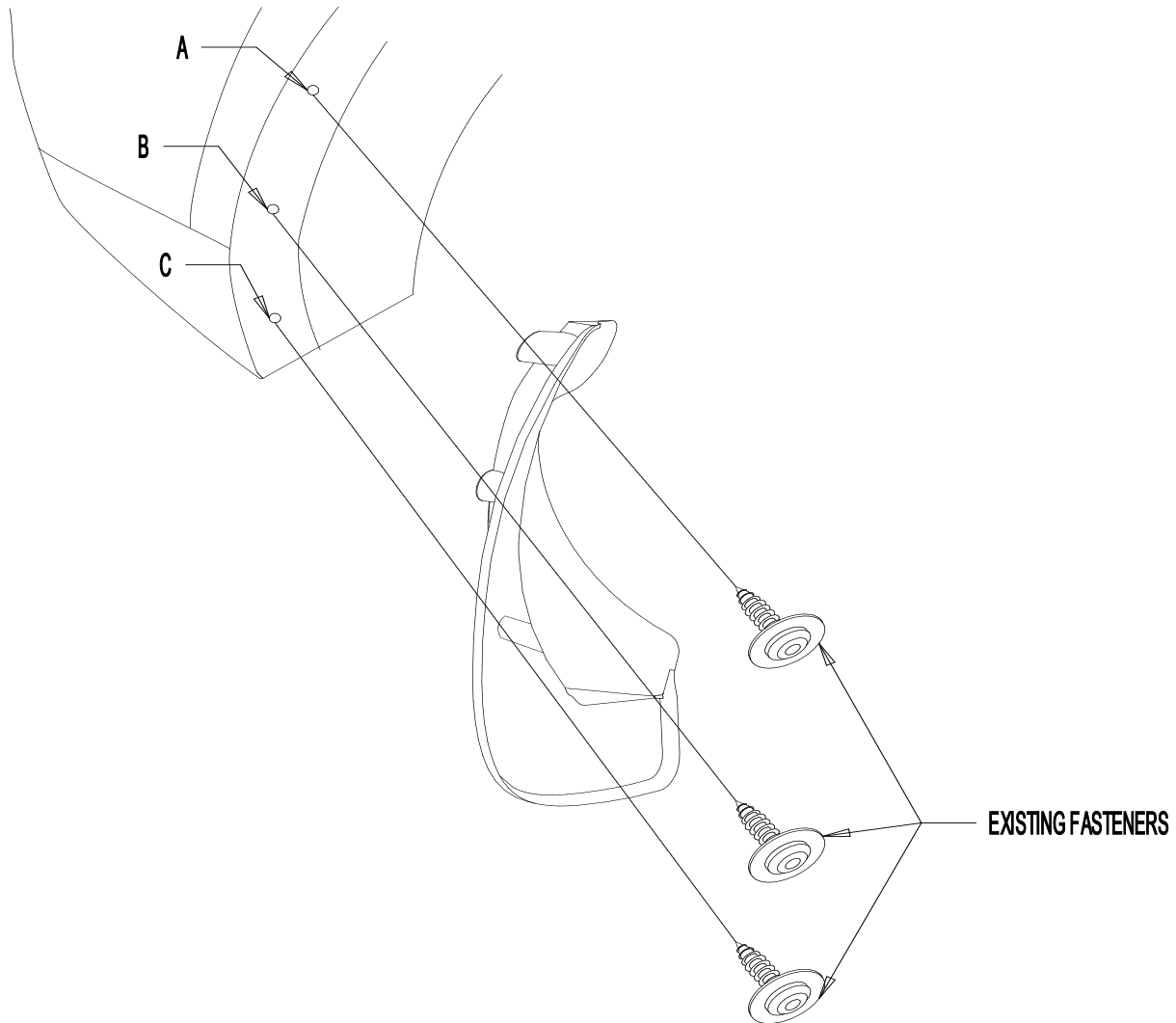
- Socket Wrench / Torx TR 15 Bit

### Package Contents

- Driver & passenger side rear mud guard
- Instruction sheet

**NOTE:** It may be necessary to remove the wheels depending on the tools being used for installation.

6. Clean and degrease the mud guard location area on the fender before installation.
7. Remove existing fastener from locations A, B and C.
8. Attach mud guard at locations A, B and C to fender with existing fasteners. Check fit and level before tightening.



### PAINTING INSTRUCTIONS

**Note:** *If painting mud guards, perform a mud guard test fit to ensure correct fit and application prior to painting.*

1. Clean mud guard with a soap and water solution to remove dirt and other contaminants.
2. Sand painting surface with 320 grit sand paper.
3. Apply a coating of flexible primer-adhesion promoter.
4. Apply a flexible paint as directed by the paint manufacturer.