

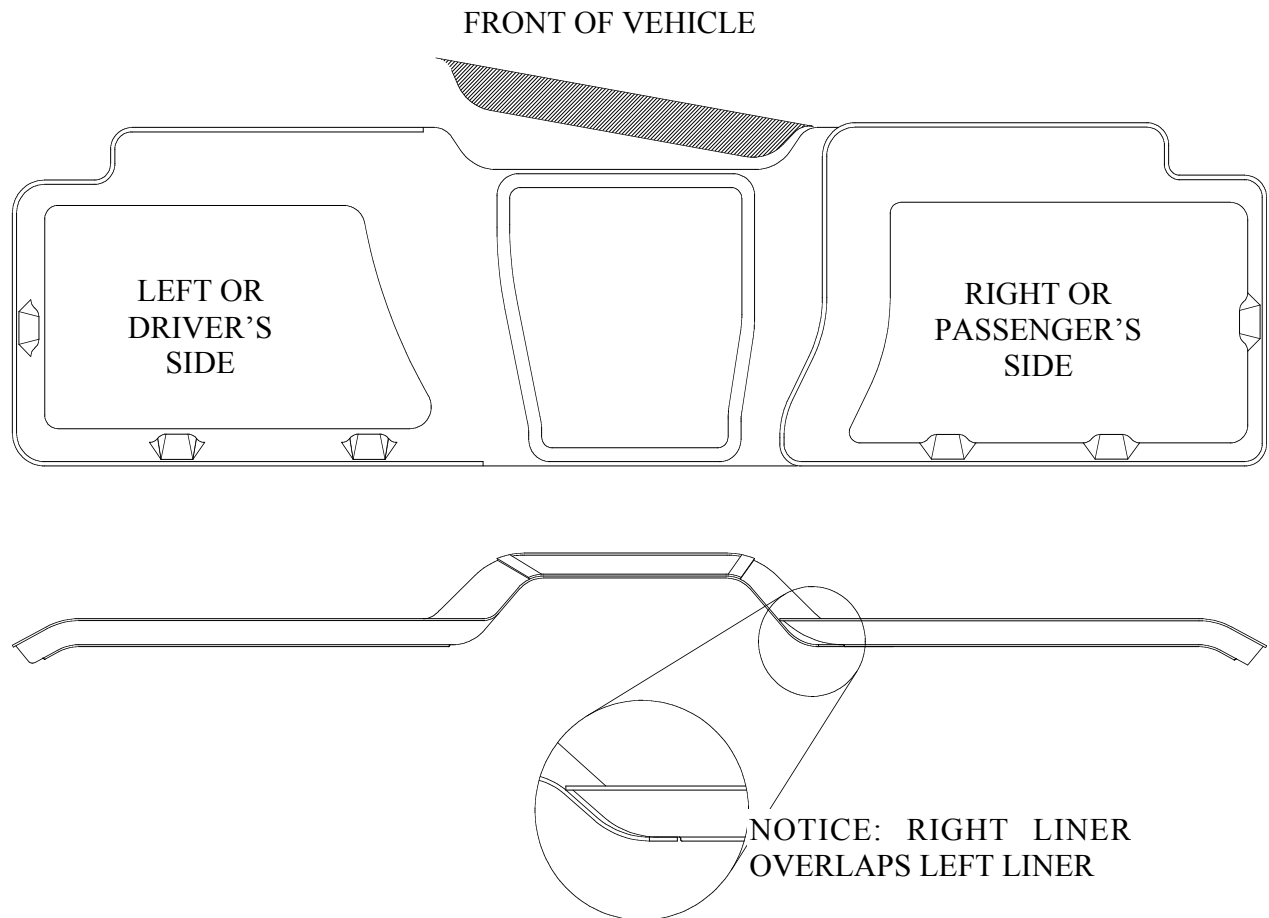
THANK YOU FOR SELECTING A HUSKY FLOOR LINER FROM WINFIELD CONSUMER PRODUCTS

CARE AND USE INSTRUCTIONS

Your new floor liners are custom molded to fit your particular vehicle. The liners are made to take the place of your factory floor mats. For correct fit, it is necessary to remove the factory floor mats before installing your new floor liners. *However, do not remove the factory-installed carpeting.*

Your liners are made from an engineering resin that is lightweight and extremely tough and durable. The easiest way to clean your liners is with a damp cloth or sponge. If using a cleaner, 409® or Glass Plus® work well. Use of Armor All®, Son-of-a-Gun® or similar items is discouraged as these products make the liners slick.

INSTALLATION INSTRUCTIONS FOR YOUR SECOND SEAT CHEVROLET SILVERADO & GMC SIERRA 1500 SERIES CREW CAB FLOOR LINERS



SOME 2004 MODEL YEAR HD SERIES CREW CAB TRUCKS ARE EQUIPPED WITH A CENTER CONSOLE BETWEEN THE FRONT BUCKET SEATS. THIS CONSOLE EXTENDS INTO THE SECOND SEAT FLOOR PAN AND AT FIRST GLANCE MAY APPEAR TO KEEP YOUR HUSKY LINER FROM FITTING. TO ACHIEVE THE PROPER FIT FROM YOUR HUSKY LINER IN CONSOLE EQUIPPED VEHICLES; JUST TRIM AWAY THE MATERIAL ON THE CENTER HUMP PORTION OF YOUR LINER AS DEMONSTRATED ABOVE (ALSO SEE PHOTOS ON THE REVERSE SIDE). A TRIM GROOVE IS MOLDED INTO THE LINER TO USE AS A TRIMMING GUIDE.

PHOTOS OF PART #6147 TRIMMED
FOR USE IN VEHICLES WITH A CENTER CONSOLE

