

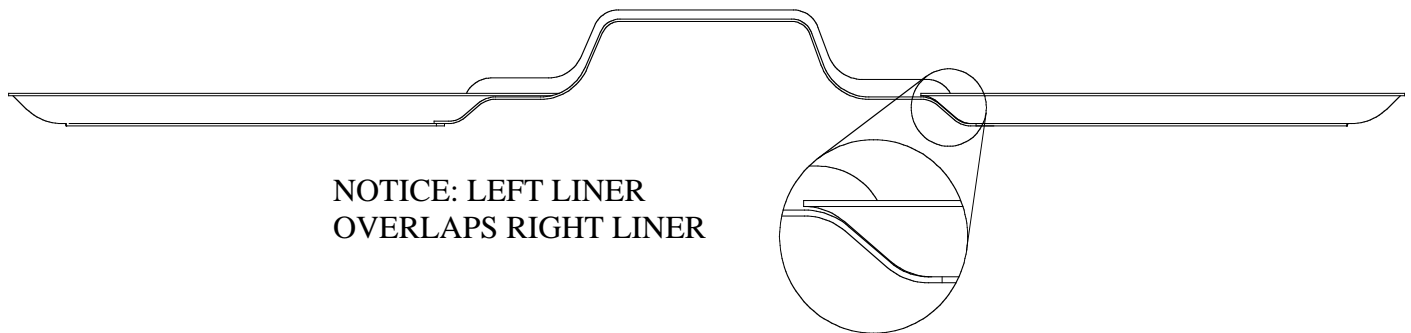
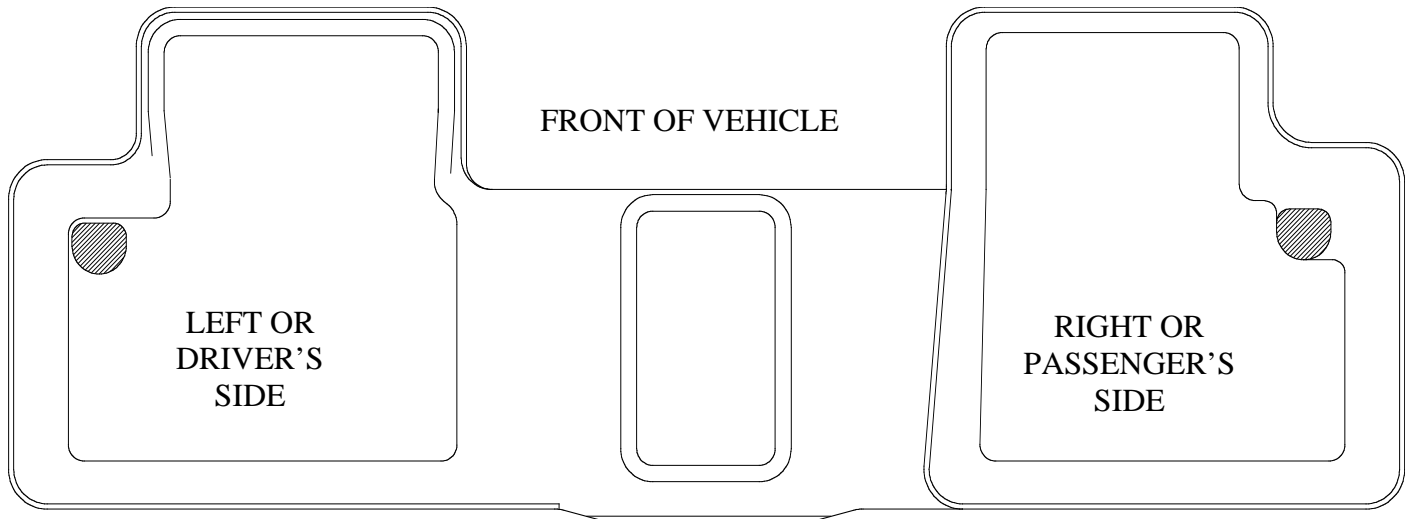
THANK YOU FOR SELECTING A HUSKY FLOOR LINER FROM WINFIELD CONSUMER PRODUCTS

CARE AND USE INSTRUCTIONS

Your new floor liner is custom molded to fit your particular vehicle. The liner is made to take the place of your factory floor mats. For correct fit, it is necessary to remove the factory floor mat before installing your new floor liner. *However, do not remove the factory-installed carpeting.*

Your liner is made from an engineering resin that is lightweight and extremely tough and durable. The easiest way to clean your liner is with a damp cloth or sponge. If using a cleaner, 409® or Glass Plus® work well. Use of Armor All®, Son-of-a-Gun® or similar items is discouraged as these products make the liner slick.

INSTALLATION INSTRUCTIONS FOR YOUR MERCEDES ML-350/500 SECOND SEAT FLOOR LINERS



MERCEDES BENZ HAS LOCATED CARGO TIE DOWN HOOKS IN THE SECOND ROW FLOOR PANS. SHOULD YOU WISH TO ACCESS THESE CARGO TIE DOWN HOOKS WITH YOUR LINERS IN PLACE, SIMPLY TRIM AWAY THE MATERIAL FROM THE LOWERED AREAS ON YOUR LINERS SITUATED ABOVE THESE HOOKS (SHOWN ABOVE HATCHED). A UTILITY KNIFE WORKS WELL FOR TRIMMING.