

FACTORY BUMPER LED FOG LIGHT MOUNT LBKT032TY-H

2014 Toyota Tundra

6/9/14

Recommended Light: Rigid Dually or D2

Hardware Kit Includes:

- 1 (8) - Button head bolts stainless (M6-1.0X25mm)
- 2 (8) - Hex nuts stainless (M6-1.0)
- 3 (8) - Lock washers stainless (M6)
- 4 (8) - Flat washers stainless (M6)

Components List:

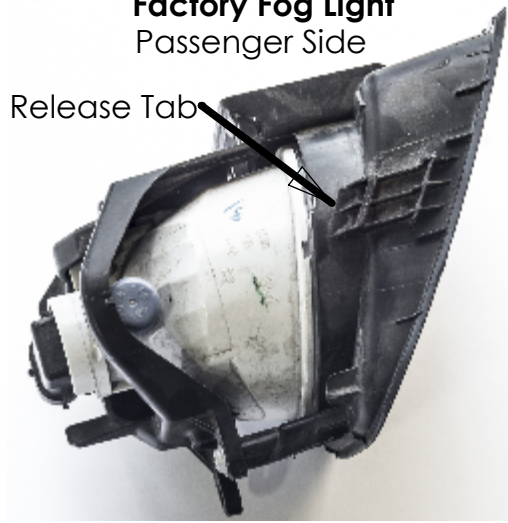
- 1 (2) - Mounting brackets (LBKT031TY-A)
- 2 (2) - Mounting brackets (LBKT031TY-B)



LOOSE FIT ALL COMPONENTS. DO NOT TIGHTEN UNTIL ALL COMPONENTS ARE INSTALLED AND ADJUSTED.

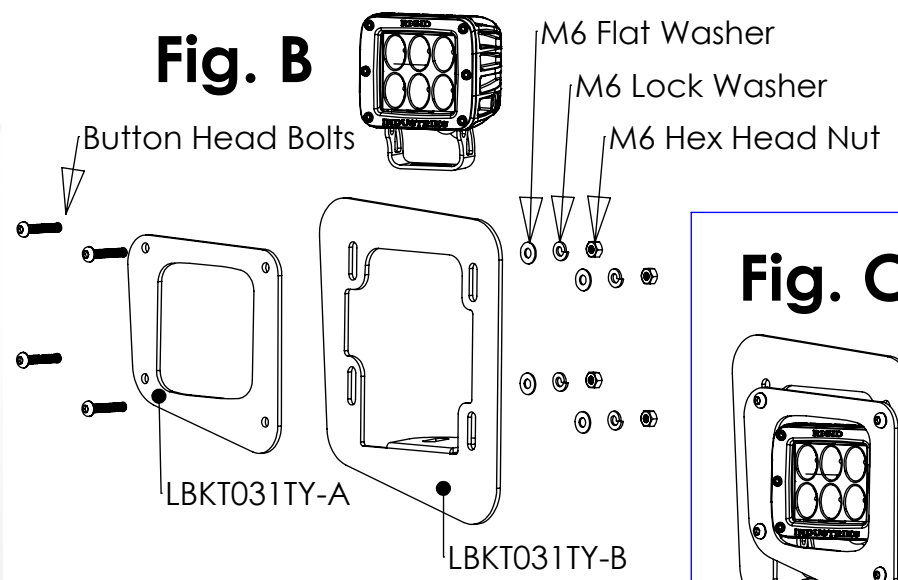
Fig. A

Factory Fog Light Passenger Side



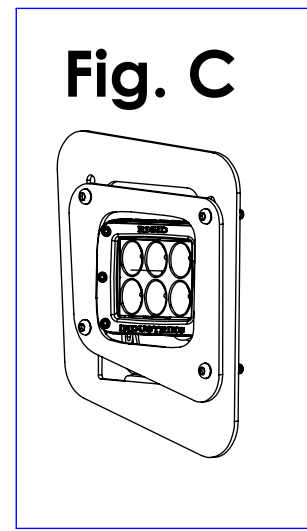
TOP VIEW

Fig. B



Passenger Side

Fig. C



Step by Step Instructions:

- STEP 1.** Open hood of vehicle and disconnect negative battery terminal.
- STEP 2.** Next, unplug wire from back of factory fog lights and prepare to remove factory fog lights with bezels.
- STEP 3.** The factory fog lights are removed by releasing the tab on top of the foglight and pulling the bezel out through the front of the bumper (SEE FIG. A). Push down on the tab to release it from the bumper and using your other hand, pull on the bezel from the front of the bumper. **DONOT PRY WITH SHARP TOOLS**, you may scratch the bumper.
- STEP 4.** Once factory fog lights and bezels are removed, insert LBKT031TY-B from behind the bumper. The bracket will slide into place from the outer fender edge of the bumper, between the bumper and inner bumper support, without removing any inner bumper parts. Note the orientation of LBKT031TY-B, the light mount tab is on the bottom and the long corner of the bracket goes toward the center of the truck (SEE FIG. B).
- STEP 5.** With LBKT031TY-B in place, position LBKT031TY-A over the front of the bumper and align the holes with LBKT031TY-B. Using provided hardware insert button head bolts from the front of LBKT031TY-A and through LBKT031TY-B, sandwiching the bumper between the brackets. Add flat washer, lock washer and nut then hand tighten; do this for all four bolts on each bracket (SEE FIG B & C).
- STEP 6.** Once all hardware is installed, align brackets in the bumper and tighten hardware. LBKT031TY-A is designed to align in the factory fog light opening and LBKT031TY-B has some adjustment so the light tab can be leveled. Be careful not to over tighten hardware and bend the brackets, they are tight when the lock washer is flat.
- STEP 7.** Now that LBKT031TY-A and LBKT031TY-B are fully tightened, insert your selected light through the front opening of LBKT031TY-A. Depending on light, it may be necessary to use spacers to align the light in the center of LBKT031TY-A. Align light and tighten using hardware provided with your selected light.
- STEP 8.** Next, wire your lights according to light manufacturer specifications. Once lights are wired, reconnect battery and test your lights. Properly aim your lights according to vehicle specifications.

Visit the ICI Website for other exciting accessories for your vehicle. WWW.ICIONLINE.COM