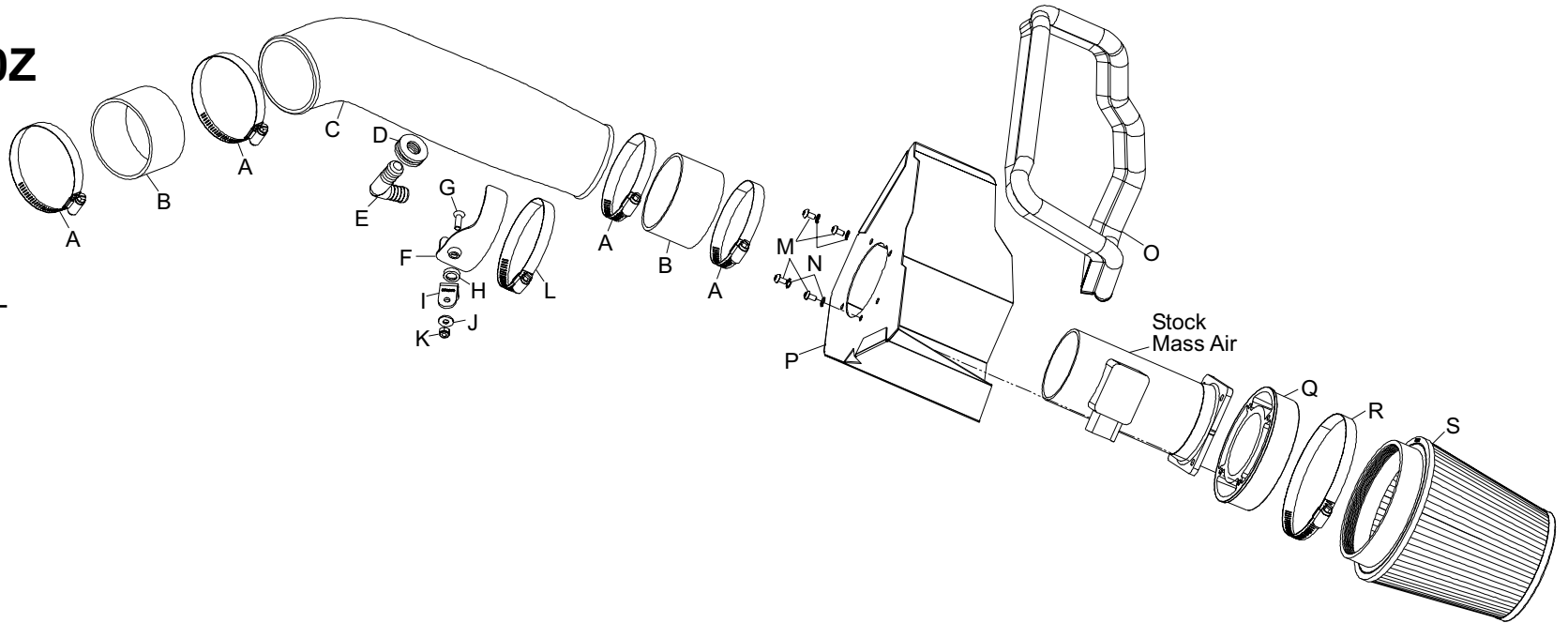




INTAKE SYSTEMS FOR VEHICLES LISTED ARE 50 STATE LEGAL. SEE KNFILTERS.COM FOR CARB STATUS ON EACH PART FOR A SPECIFIC VEHICLE.

INSTALLATION INSTRUCTIONS

57-6013
NISSAN
2003-06 350Z
V6-3.5L



TOOLS NEEDED:

- Flat Blade Screwdriver
- Phillips Screwdriver
- Ratchet
- Extension
- 10mm Socket
- 4mm Allen

PARTS LIST:

Description	Qty.	Part #	Description	Qty.	Part #	Description	Qty.	Part #	Description	Qty.	Part #
A hose clamp #52	4	08610	F saddle bracket	1	078855	K nut; 6mm nylock	1	07553	P heat shield	1	074036
B hose; 3.25" id x 2" l,	2	08690	G bolt; m6-1.00 x 20mm fha	1	08376	L hose clamp #56	1	08620	Q adapter #410	1	21514
C intake tube (ET)	1	087161A	H washer; conical, black, nylon	1	08180	M bolt; m6 x 1 x 16mm bha	4	07730	R hose clamp #88	1	KITHS88
D grommet; 1-1/8" od x 5/8" id	1	08053	I bracket "L"	1	070066A	N washer; 1/4" split lock	4	08198	S air filter	1	RU-1037
E hose mender; 5/8" 90 deg	1	08072	J washer; 1/4" id x 5/8" od, flat	1	08275	O edge trim 42"	1	102499			

NOTE: FAILURE TO FOLLOW INSTALLATION INSTRUCTIONS AND NOT USING THE PROVIDED HARDWARE MAY DAMAGE THE INTAKE TUBE, THROTTLE BODY AND ENGINE.

TO START:

1. Turn off the ignition and disconnect the negative battery cable.
NOTE: Disconnecting the negative battery cable erases pre-programmed electronic memories. Write down all memory settings before disconnecting the negative battery cable. Some radios will require an anti-theft code to be entered after the battery is reconnected. The anti-theft code is typically supplied with your owner's manual. In the event your vehicles' anti-theft code cannot be recovered, contact an authorized dealership to obtain your vehicles anti-theft code.



2. Depress the locking tab and disconnect the mass air sensor electrical connection. Next separate the mass air sensor wire harness from the clips, which attach to the air box.



3. Remove the bolt, which secures the stock intake tube to intake manifold.
NOTE: Do not discard this bolt, as it will be used in a later step.



4. Loosen the two hose clamps, which secure the stock intake tube to the throttle body and air box. Then lift the intake tube up to access the crank case vent hose and disconnect the vent hose from the intake tube. Next remove the intake tube from the vehicle.



5. Remove the air box mounting bolt, which secures the air box to the inner fender.



6. Lift up on the air box to dislodge it from the mounting grommet and then remove the air box from the vehicle as shown.
NOTE: K&N recommends that customers do not discard factory air intake.



7. Install the provided edge trim onto the heat shield as shown.
NOTE: Some trimming of the edge trim may be necessary.



8. Remove the four bolts, which secure the mass air sensor to the factory air box and then separate the mass air sensor from the air box.



9. Remove the two screws, which secure the mass air sensor into the mass air housing, then remove the mass air sensor from the housing.
NOTE: Do not discard the mounting screws, as they will be reused in a later step.



10. Pass the mass air sensor housing through the heat shield as shown.



11. Using the provided hardware, assemble the mass air sensor housing and radiused filter adapter with heat shield together as shown.



12. Reinstall the mass air sensor into the mass air sensor housing with the factory screws removed in step #9.



13. Using the provided hardware, install the saddle clamp onto the "L" bracket (070066) as shown.
NOTE: The slotted end of the "L" bracket will attach to the saddle clamp.



14. Install the saddle bracket assembly onto the engine using the bolt removed in step #3 as shown.



15. Install the provided grommet into the K&N® intake as shown.



16. Install the provided 90 deg. fitting into the grommet that was installed onto the K&N® intake tube in step #15.



17. Install the provided silicone hose (08690) onto the throttle body with the provided hose clamps as shown.



18. Install the K&N® intake tube onto the throttle body and saddle clamp and then secure with the provided hose clamps as shown.
NOTE: Be sure to connect the crank case vent hose to the 90 deg. fitting in the K&N® intake tube.



19. Install the silicone hose (08690) onto the end of the K&N® intake tube with the provided hose clamps.
NOTE: Slide the hose all the way onto the intake tube to allow clearance for the mass air sensor installation.



20. Install the Air Filter onto the radius filter adapter as shown.

NOTE: Drycharger® air filter wrap; part # RF-1037DK is available to purchase separately. To learn more about Drycharger® filter wraps or look up color availability please visit <http://www.knfilters.com>®.



21. Install the Air Filter / mass air sensor assembly onto the K&N® intake tube, slide the silicone hose onto the mass air sensor housing and secure with the provided hose clamp as shown.

NOTE: Adjust the assembly for proper fit before tightening the hose clamp.



22. Reconnect the mass air sensor electrical connection and secure the wiring harness to the heat shield in the hole provided.



23. Reconnect the vehicle's negative battery cable. Double check to make sure everything is tight and properly positioned before starting the vehicle.

24. The C.A.R.B. exemption sticker, (attached), must be visible under the hood so that an emissions inspector can see it when the vehicle is required to be tested for emissions. California requires testing every two years, other states may vary.

25. It will be necessary for all K&N® high flow intake systems to be checked periodically for realignment, clearance and tightening of all connections. Failure to follow the above instructions or proper maintenance may void warranty.

ROAD TESTING:

1. Start the engine with the transmission in neutral or park, and the parking brake engaged. Listen for air leaks or odd noises. For air leaks secure hoses and connections. For odd noises, find cause and repair before proceeding. This kit will function identically to the factory system except for being louder and much more responsive.

2. Test drive the vehicle. Listen for odd noises or rattles and fix as necessary.

3. If road test is fine, you can now enjoy the added power and performance from your kit.

4. K&N Engineering, Inc., requires cleaning the intake system's air filter element every 100,000 miles. When used in dusty or off-road environments, our filters will require cleaning more often. We recommend that you visually inspect your filter once every 25,000 miles to determine if the screen is still visible. When the screen is no longer visible some place on the filter element, it is time to clean it. To clean and re-oil, purchase our filter Recharger® service kit, part number 99-5050 or 99-5000 and follow the easy instructions.

INTAKE SYSTEMS FOR VEHICLES LISTED ARE 50 STATE LEGAL. SEE KNFILTERS.COM FOR CARB STATUS ON EACH PART FOR A SPECIFIC VEHICLE.

* FREE K&N® decal To register your warranty, please see us online at knfilters.com/register. FREE K&N® decal *