



# TYPHOON INTAKE SYSTEMS

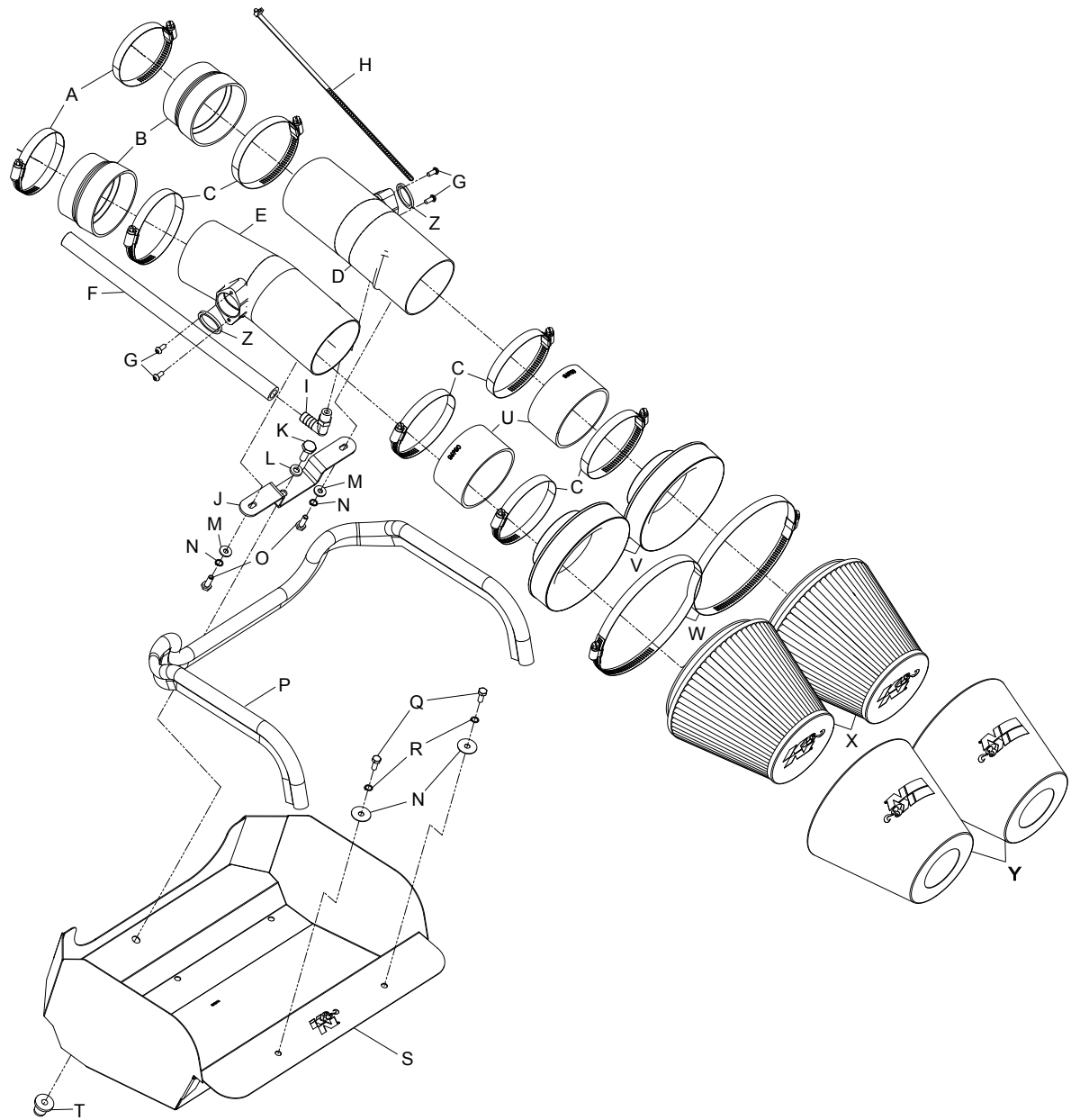
INTAKE SYSTEMS FOR VEHICLES LISTED ARE 50 STATE LEGAL. SEE KNFILTERS.COM FOR CARB STATUS ON EACH PART FOR A SPECIFIC VEHICLE.

## INSTALLATION INSTRUCTIONS

**69-2527TTR**  
**DODGE**  
**VIPER 2008-10**  
**V10-8.4L**

**TOOLS NEEDED:**

- Flat Blade Screwdriver
- Phillips Screwdriver
- Pliers
- Ratchet
- Extension
- 1/2" Socket
- 7/16" Socket
- 10mm Wrench
- 3mm Allen Wrench



**PARTS LIST:**

Description	Qty.	Part #
A Hose Clamp #48	2	08601
B Hose; 3.25"ID to 3.5"ID	2	084091
C Hose Clamp #56	6	08620
D IntakeTube Left Side	1	27451TTR
E Intake Tube Right Side	1	27452TTR
F Hose; 1/2"ID x 14"L	1	08402
G Bolt; M5 X .8 x 12mm B/H	4	07734
H Cable Ties; 11" Blk.	1	21590
I Vent; 90Deg, 1/2"Hose,1/4"NPT	1	08110FK
J Bracket; "C", STL, TK/PC	1	083109
K Bolt; 5/16"-18 x 1"L	1	07777
L Washer; 5/16"ID x 5/8"OD, Flat	1	08276
M Washer; 1/4"ID x 5/8"OD - SAE	2	08275
N Washer; 1/4" Lock, ZN	4	08198
O Bolt; 1/4-20 x 3/4 Hex Head	2	08386
P Edge Trim (44")	1	102486A
Q Bolt; M6-1 x 16MM	2	07812
R Washer; 1"D x 1/4 Hole Fender	2	08160
S Heat Shield	1	073111
T Insert; 5/16-18x.600ODx.730L	1	088002
U Hose; 3.5"ID x 2"L	2	08698
V Adaptor; #380	2	21512-1
W Hose Clamp #104	2	08697
X Air Filter	2	RU-1048
Y Drycharger® Wrap; Black	2	RF-1048DK
Z Gasket	2	09013

**NOTE: FAILURE TO FOLLOW INSTALLATION INSTRUCTIONS AND NOT USING THE PROVIDED HARDWARE MAY DAMAGE THE INTAKE TUBE, THROTTLE BODY AND ENGINE.**

**TO START:**

1. Turn off the ignition and disconnect the negative battery cable.

**NOTE: Disconnecting the negative battery cable erases pre-programmed electronic memories. Write down all memory settings before disconnecting the negative battery cable. Some radios will require an anti-theft coded to be entered after the battery is reconnected. The anti-theft code is typically supplied with your owner's manual. In the event your vehicles' anti-theft code cannot be recovered, contact an authorized dealership to obtain your vehicles anti-theft code.**



2. Release the locking tabs and then disconnect the two mass air sensor electrical connections.



3. Loosen the two hose clamps which secure the stock intake tubes to the throttle bodies.



4. Unscrew and remove the two air box fastener nuts shown.



5. Cut the tie wrap which secures the vent hose to the valve cover port. Then unhook the crank case vent hose as shown.



6. Dislodge the air box assembly from the mounting grommet and remove the air box from the vehicle. **NOTE: K&N Engineering, Inc., recommends that customers do not discard factory air intake.**





7. Remove the rubber mounting grommet shown.



8. Install the provided edge trim onto the heat shield as shown.

**NOTE: Some trimming of the edge trim will be necessary.**



9. Install the provided nut insert into the air box mounting grommet hole as shown.



10. Install the heat shield onto the air box mounting location and secure with the provided hardware.

**NOTE: Do not completely tighten at this time.**



11. Install the tube mounting bracket (083109) into the heat shield and secure with the provided hardware.

**NOTE: Do not completely tighten at this time.**



12. Install the silicone hoses (084091) onto the throttle bodies and secure with the provided hose clamps.



13. Install the provided crank case vent hose onto the valve cover port as shown and secure with the provided tie wrap.

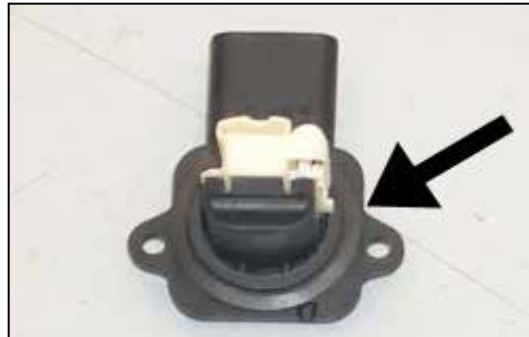
**NOTE: Be sure to route the crank case vent hose under the frame cross member.**



14. Install the 90° vent fitting into the left side K&N® intake tube as shown.



15. Remove the mass air sensors from the factory air box as shown.



15a. Remove the o-rings and install the provided gaskets onto the mass air sensors as shown.



16. Install the mass air sensors into the K&N® intake tubes and secure with the provided hardware.



17. Install the left side K&N® intake tube into the silicone hose at the throttle body while connecting the crank vent line to the vent fitting. Secure the tube to the bracket with the provided hardware.

**NOTE: Do not completely tighten at this time.**



18. Install the right side K&N® intake tube into the silicone hose at the throttle body and then secure the tube to the mounting bracket with the provided hardware.

**NOTE: Do not completely tighten at this time.**



19. Align the intake tubes so that they are straight and even coming out of the throttle bodies, then tighten the heat shield mounting bolts and tube mounting bolts.



20. Install the filter adapters into the K&N® air filters and secure with the provided hose clamps.



21. Install the silicone hoses (08698) onto the filter adapters and secure with the provided hose clamps.



22. Install the filter assemblies onto the intake tubes and secure with the provided hose clamps.

**NOTE: It may be necessary to readjust the intake tube alignment for proper filter fit.**  
**NOTE: During mild weather conditions, K&N Engineering, Inc., recommends installing the provided Drycharger® filter wraps (RF-1048DK). If you have any concerns, return the vehicle to stock using the factory equipment. Please be aware the Drycharger® is water repellent, not water proof. Depending on conditions and usage the water repellent treatment is good for 1 to 2 years. See the parts list to reorder a new Drycharger® if necessary.**





23. Reconnect the mass air sensor electrical connections.



24. Reconnect the vehicle's negative battery cable. Double check to make sure everything is tight and properly positioned before starting the vehicle.

**WARNING:** Please follow these installation instructions carefully. The K&N® high flow intake system is a performance product that can be used safely during mild weather conditions. During harsh and inclement weather conditions, you must return your vehicle to stock OEM air box and intake tract configuration. Failure to follow these instructions will void your warranty.

25. The C.A.R.B. exemption sticker, (attached), must be visible under the hood, so the emissions inspector can see it when the vehicle is required to be tested for emissions. California requires testing every two years, other states may vary.

26. It will be necessary for all K&N® high flow intake systems to be checked periodically for realignment, clearance and tightening of all connections. Failure to follow the above instructions or proper maintenance may void warranty.

#### ROAD TESTING:

1. Start the engine with the transmission in neutral or park, and the parking brake engaged. Listen for air leaks or odd noises. For air leaks secure hoses and connections. For odd noises, find cause and repair before proceeding. This kit will function identically to the factory system except for being louder and much more responsive.

2. Test drive the vehicle. Listen for odd noises or rattles and fix as necessary.

3. If road test is fine, you can now enjoy the added power and performance from your kit.

4. K&N Engineering, Inc., requires cleaning the intake system's air filter element every 100,000 miles. When used in dusty or off-road environments, our filters will require cleaning more often. We recommend that you visually inspect your filter once every 25,000 miles to determine if the screen is still visible. When the screen is no longer visible some place on the filter element, it is time to clean it. To clean and re-oil, purchase our filter Recharger® service kit, part number 99-5050 or 99-5000 and follow the easy instructions.

**INTAKE SYSTEMS FOR VEHICLES LISTED ARE 50 STATE LEGAL. SEE KNFILTERS.COM FOR CARB STATUS ON EACH PART FOR A SPECIFIC VEHICLE.**