



INTAKE SYSTEMS FOR VEHICLES LISTED ARE 50 STATE LEGAL. SEE KNFILTERS.COM FOR CARB STATUS ON EACH PART FOR A SPECIFIC VEHICLE.

## INSTALLATION INSTRUCTIONS

### 77-2582KTK

### FORD

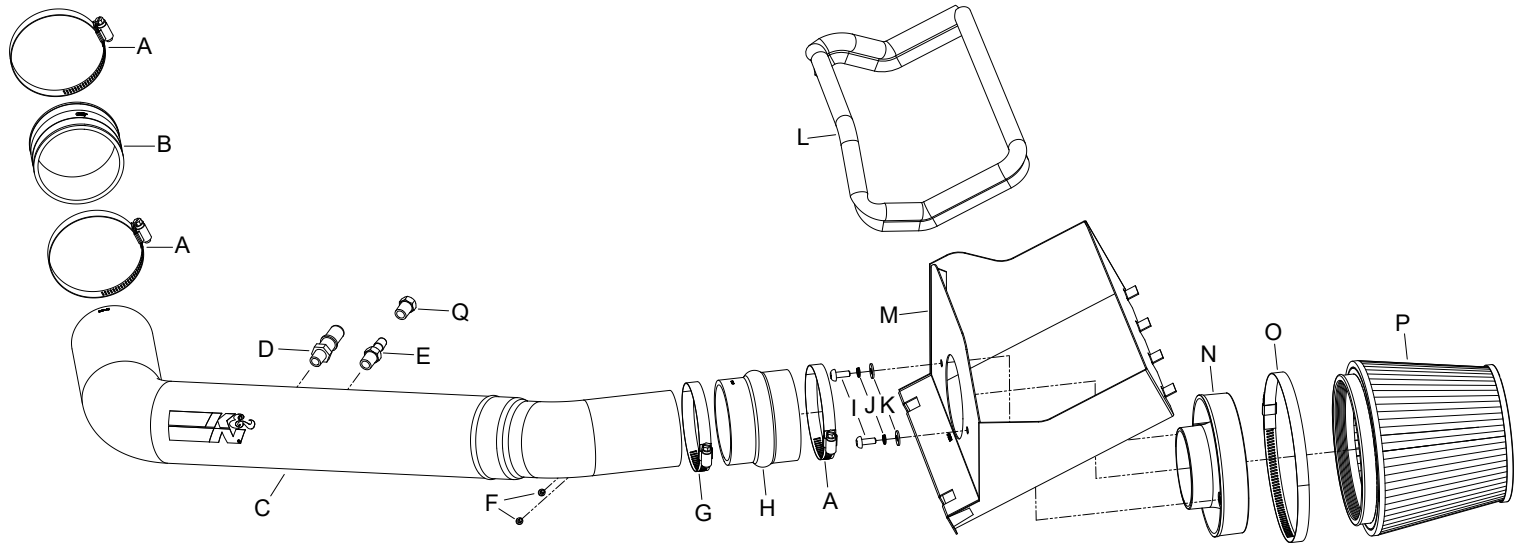
### 2011-16 F250 / F350 Super Duty

### V8-6.2L

NOTE: This kit was not designed to fit vehicles with a body lift.

#### TOOLS NEEDED:

3mm Allen Wrench  
4mm Allen Wrench  
8mm Socket  
10mm Socket  
Extension  
Flat Blade Screwdriver  
Ratchet  
T20 Torx Wrench



#### PARTS LIST:

Description	Qty.	Part #	Description	Qty.	Part #	Description	Qty.	Part #
A HOSE CLAMP #56	3	08620	G HOSE CLAMP #52	1	08610	M HEAT SHIELD	1	074076A
B HOSE; 3.5"ID X 2"L	1	08630	H HOSE; HUMP 3.25"/3.5" X 3"	1	5-576	N ADAPTER; UNV, 6" FILTER 3.5"	1	21512-1
C INTAKE TUBE	1	27498-1TK	I BOLT; M6 X 1 X 16MM	2	07730	O HOSE CLAMP #104	1	08697
D VENT; 1/4 NPT TO QUICK DIS.	1	082628	J WASHER, M6 SPLIT LOCK	2	1-3025	P AIR FILTER	1	RU-5173
E VENT; STRT, 3/8" HOSE, 1/4"	1	08047	K WASHER; 6MM FLAT	2	08269	Q 1/4" NPT PLUG	1	08032
F BOLT; M4-0.7 X 8MM	2	07733	L EDGE TRIM (35")	1	102471A			

If you need any assistance please call 1-800-858-3333 to speak with a representative in our Customer Service Center before returning the product.

**NOTE: FAILURE TO FOLLOW INSTALLATION INSTRUCTIONS AND NOT USING THE PROVIDED HARDWARE MAY DAMAGE THE INTAKE TUBE, THROTTLE BODY AND ENGINE.**

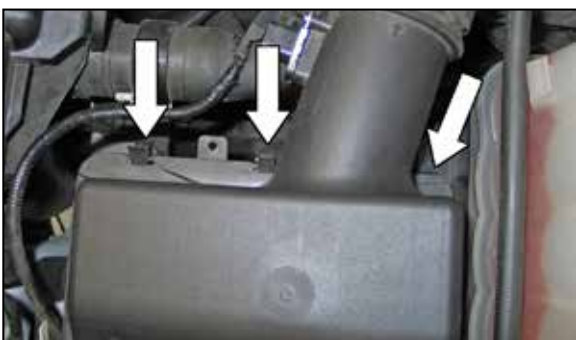
#### TO START:

1. Turn off the ignition and disconnect the negative battery cable.

**NOTE: Disconnecting the negative battery cable erases pre-programmed electronic memories. Write down all memory settings before disconnecting the negative battery cable. Some radios will require an anti-theft code to be entered after the battery is reconnected. The anti-theft code is typically supplied with your owner's manual. In the event your vehicles' anti-theft code cannot be recovered, contact an authorized dealership to obtain your vehicles anti-theft code.**



2. Disconnect the mass air sensor electrical connection.



3. Release the three upper air box retaining clips.



4. Loosen the hose clamp securing the intake tube to the intake plenum.

**NOTE: Some vehicles have a one-piece intake tube and plenum design, please skip to step #6 if your vehicle is equipped with the one-piece tube and plenum design.**



5. Remove the stock intake tube, upper air box and air filter from the vehicle.

**NOTE: Some vehicles have a one-piece intake tube and plenum design, please skip to step #6 if your vehicle is equipped with the one-piece tube and plenum design.**



6. Disconnect the crank case vent line and EVAP vent line from the intake plenum.

**NOTE: Some vehicles may not be equipped with the second EVAP vent line.**



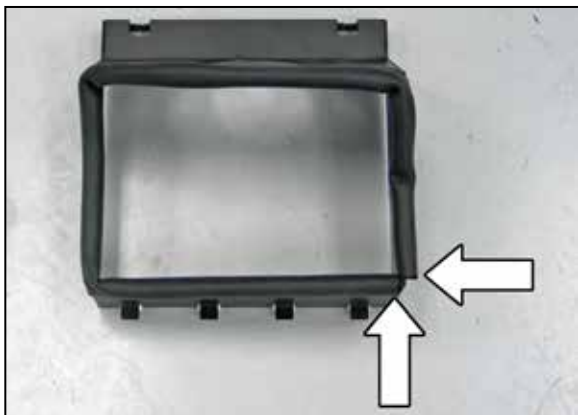
7. Remove the two bolts securing the intake plenum to the intake manifold and then loosen the hose clamp securing the plenum to the throttle body.

**NOTE: Some vehicles have a one-piece intake tube and plenum design that is not bolted on.**



8. Unhook the heater hose clip from the intake plenum and then remove the plenum from the vehicle.

**NOTE: K&N Engineering, Inc., recommends that customers do not discard factory air intake.**



9. Install the provided edge trim onto the heat shield as shown.

**NOTE: Some trimming of the edge trim will be necessary.**



10. Install the filter adapter into the heat shield and secure with the provided hardware.



11. Install the K&N® air filter onto the filter adapter and secure with the provided hose clamp.

**NOTE: Drycharger® air filter wrap; part # RC-5173DK is available to purchase separately. To learn more about Drycharger® filter wraps or look up color availability please visit <http://www.knfilters.com>®.**



12. Remove the center upper air box retaining clip from the lower air box.



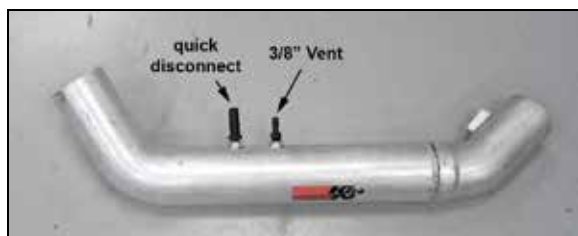
13. Install the K&N® filter/heat shield assembly and secure with the two remaining factory upper air box retaining clips.



14. Install the provided silicone hose (08630) onto the throttle body and secure with the provided hose clamp.



15. Install the provided silicone hump hose (5-576) onto the filter adapter and secure with the provided hose clamp.



16. Install the quick disconnect and 3/8 NPT vent fittings into K&N® intake tube as shown.

**NOTE: On vehicles that are not equipped with the EVAP vent line, install the provided 1/4 NPT plug into the K&N® intake tube in place of the 3/8" vent fitting**

**NOTE: Plastic NPT fittings are easy to cross thread. Install the vent fitting "hand" tight, then turn it two complete turns with a wrench.**



17. Remove the mass air sensor from the factory air box.



18. Install the mass air sensor into the K&N® intake tube and secure with the provided hardware.



19. Install the K&N® intake tube into the silicone hose at the air filter and then into the silicone hose at the throttle body and secure with the provided hose clamps.



20. Connect the crank case vent hose and EVAP vent hose to the K&N® intake tube.



21. Reconnect the mass air sensor electrical connection.



22. Reconnect the vehicle's negative battery cable. Double check to make sure everything is tight and properly positioned before starting the vehicle.

23. The C.A.R.B. exemption sticker, (attached), must be visible under the hood so that an emissions inspector can see it when the vehicle is required to be tested for emissions. California requires testing every two years, other states may vary.

24. It will be necessary for all K&N® high flow intake systems to be checked periodically for realignment, clearance and tightening of all connections. Failure to follow the above instructions or proper maintenance may void warranty.

#### ROAD TESTING:

1. Start the engine with the transmission in neutral or park, and the parking brake engaged. Listen for air leaks or odd noises. For air leaks secure hoses and connections. For odd noises, find cause and repair before proceeding. This kit will function identically to the factory system except for being louder and much more responsive.

2. Test drive the vehicle. Listen for odd noises or rattles and fix as necessary.

3. If road test is fine, you can now enjoy the added power and performance from your kit.

4. K&N Engineering, Inc., requires cleaning the intake system's air filter element every 100,000 miles. When used in dusty or off-road environments, our filters will require cleaning more often. We recommend that you visually inspect your filter once every 25,000 miles to determine if the screen is still visible. When the screen is no longer visible some place on the filter element, it is time to clean it. To clean and re-oil, purchase our filter Recharger® service kit, part number 99-5050 or 99-5000 and follow the easy instructions.

**INTAKE SYSTEMS FOR VEHICLES LISTED ARE 50 STATE LEGAL. SEE KNFILTERS.COM FOR CARB STATUS ON EACH PART FOR A SPECIFIC VEHICLE.**