



INTAKE SYSTEMS FOR VEHICLES LISTED ARE 50 STATE LEGAL. SEE KNFILTERS.COM FOR CARB STATUS ON EACH PART FOR A SPECIFIC VEHICLE.

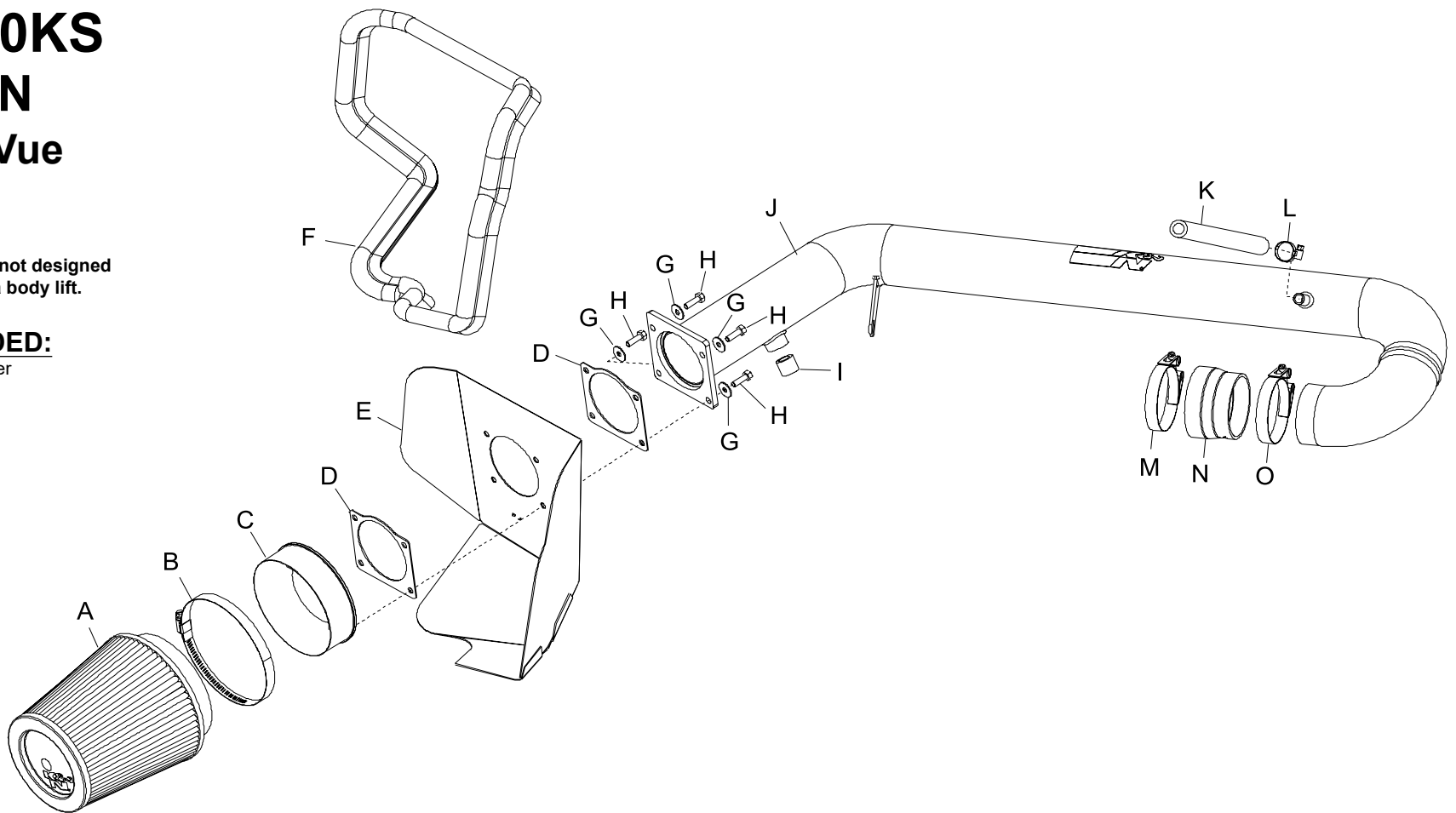
INSTALLATION INSTRUCTIONS

77-3000KS SATURN 2004-07 Vue V6-3.5L

NOTE: This kit was not designed to fit vehicles with a body lift.

TOOLS NEEDED:

- Flat Blade Screwdriver
- Ratchet
- Extension
- 10mm Socket



PARTS LIST:

Description	Qty.	Part #
A AIR FILTER	1	RU-1037
B HOSE CLAMP; #88	1	KITHS88
C ADAPTER; #350	1	21510
D GASKET; 1/16" NEOPRENE	2	09202
E HEAT SHIELD	1	07320
F EDGE TRIM; 50"L	1	102481
G WASHER; 6MM FLAT	4	08269
H BOLT; M6 X 1 X 20MM	4	07795
I HOSE; 17/32"ID X 11/16"L	1	084054
J INTAKE TUBE; (SILVER)	1	27425KS
K HOSE; 1/2"ID X 12"L	1	087031
L HOSE CLAMP; #6 MINI	1	08407
M HOSE CLAMP; #48	1	08601
N HOSE; 3" TO 2.75"ID X 2"L	1	084036
O HOSE CLAMP; #44	1	08577

NOTE: FAILURE TO FOLLOW INSTALLATION INSTRUCTIONS AND NOT USING THE PROVIDED HARDWARE MAY DAMAGE THE INTAKE TUBE, THROTTLE BODY AND ENGINE.

TO START:

1. Turn off the ignition and disconnect the negative battery cable.
NOTE: Disconnecting the negative battery cable erases pre-programmed electronic memories. Write down all memory settings before disconnecting the negative battery cable. Some radios will require an anti-theft code to be entered after the battery is reconnected. The anti-theft code is typically supplied with your owner's manual. In the event your vehicles' anti-theft code cannot be recovered, contact an authorized dealership to obtain your vehicles anti-theft code.



2. Remove the bolt that secures the air intake tube as shown.



3. Loosen the hose clamps at the rubber boot on the throttle body and at the air cleaner assembly, then, remove the stock intake tube as shown.



4. Disconnect the air temperature sensor electrical connection as shown.



5. Loosen and remove the bolt at the back of the air cleaner as shown.



6. Pull upwards to remove the complete air cleaner assembly as shown.
NOTE: K&N recommends that you do not discard your factory air intake.



7. Remove the air temperature sensor from the air cleaner as shown.



8. Remove the rubber coupler from the throttle body and disconnect the crank case vent as shown.



9. Remove the nut from the nylon bracket on the intake manifold as shown.



10. Install the silicone hose and hose clamps onto the throttle body as shown.



11. Install the silicone hose into the bung on the K&N® intake tube as shown.



12. Install the air temperature sensor into the silicone hose as shown.



13. Install the K&N® Intake tube into the silicone hose on the throttle body as shown.



14. Line up the bracket with the stud from step 9 as shown.



15. Secure the bracket to the stud using the nut removed in step 9 but do not tighten completely at this time.



16. Install the provided trim seal onto the heat shield and trim to fit as shown.



17. Install the hardware and one of the provided gaskets onto the intake tube flange as shown.



18. Install the heat shield onto the flange as shown.



Pic. A



Pic. B

19. Install the remaining gasket and the filter adapter onto the flange (Pic. A) and secure with the remaining hardware (Pic. B) as shown.



20. Slide the provided silicone hose onto the crank case vent hard line, then, connect the other end to the vent on the K&N® intake tube and secure with the provided hose clamp as shown.



21. Reconnect the air temperature sensor electrical connection as shown.



22. Install the Air Filter onto the filter adapter and secure it with the provided hose clamp as shown. **NOTE: The air filter will have to be compressed/squeezed and slid into the inner fender.**



23. Reconnect the vehicle's negative battery cable. Double check to make sure everything is tight and properly positioned before starting the vehicle.

24. The C.A.R.B. exemption sticker, (attached), must be visible under the hood so that an emissions inspector can see it when the vehicle is required to be tested for emissions. California requires testing every two years, other states may vary.

25. It will be necessary for all K&N® high flow intake systems to be checked periodically for realignment, clearance and tightening of all connections. Failure to follow the above instructions or proper maintenance may void warranty.

ROAD TESTING:

1. Start the engine with the transmission in neutral or park, and the parking brake engaged. Listen for air leaks or odd noises. For air leaks secure hoses and connections. For odd noises, find cause and repair before proceeding. This kit will function identically to the factory system except for being louder and much more responsive.

2. Test drive the vehicle. Listen for odd noises or rattles and fix as necessary.

3. If road test is fine, you can now enjoy the added power and performance from your kit.

4. K&N Engineering, Inc., suggests checking the air filter element periodically for excessive dirt build-up. When the element becomes covered in dirt (or once a year), service it according to the instructions on the Recharger® service kit, part number 99-5050 or 99-5000.

INTAKE SYSTEMS FOR VEHICLES LISTED ARE 50 STATE LEGAL. SEE KNFILTERS.COM FOR CARB STATUS ON EACH PART FOR A SPECIFIC VEHICLE.