



LEGAL IN CALIFORNIA ONLY FOR RACING VEHICLES WHICH MAY NEVER BE USED, REGISTERED OR LICENSED FOR USE UPON A HIGHWAY. See knfilters.com for CARB status on each part for a specific vehicle

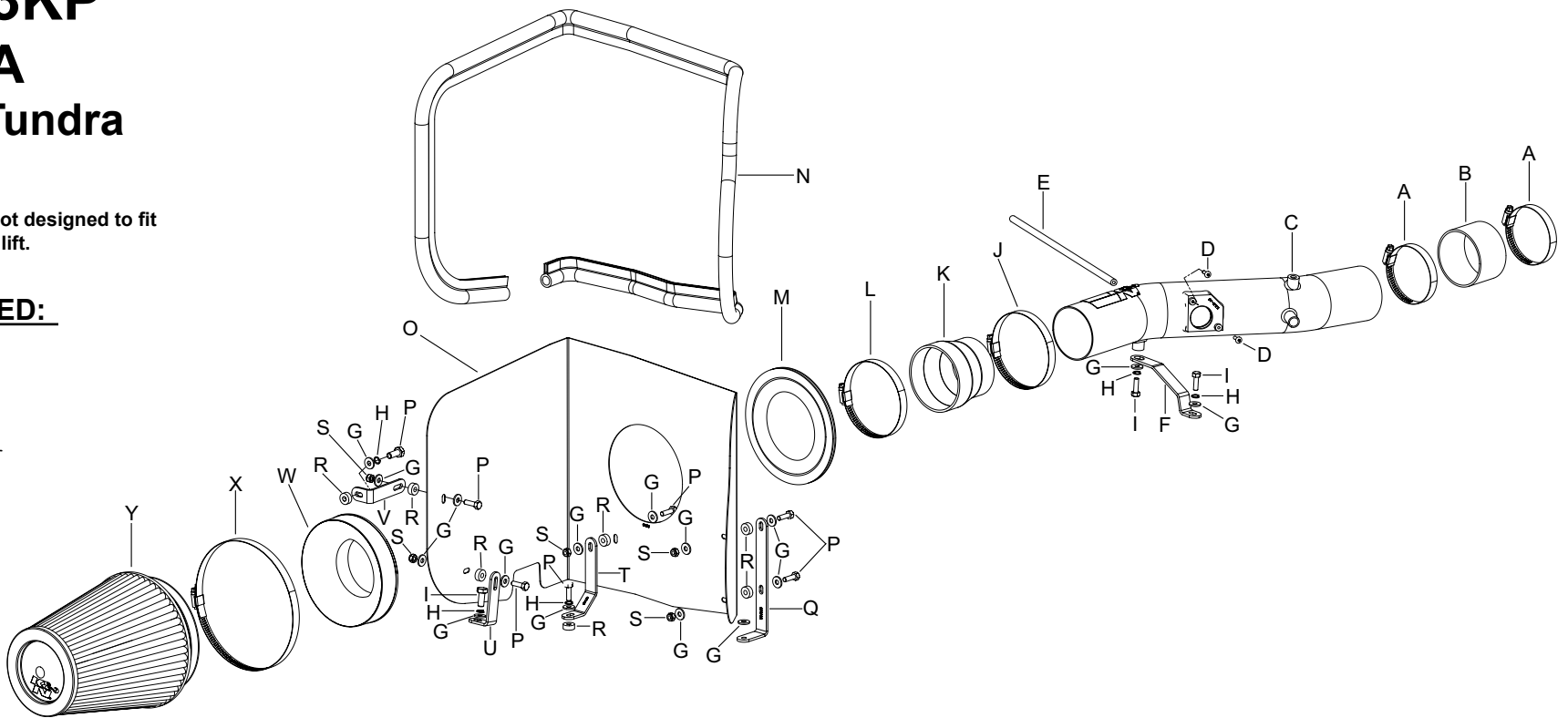
# INSTALLATION INSTRUCTIONS

## 77-9033KP TOYOTA 2007-10 Tundra V6-4.0L

NOTE: This kit was not designed to fit vehicles with a body lift.

### TOOLS NEEDED:

- Ratchet
- Extension
- 10MM Socket
- 12MM Socket
- 13MM Socket
- Flat Blade Screwdriver
- Phillips Screwdriver
- 2.5MM Allen Wrench
- 4MM Allen Wrench
- 10MM Wrench
- 9/16" Wrench



### PARTS LIST:

Description	Qty.	Part #
A HOSE CLAMP; #44 STAINLESS	2	08560
B HOSE; 3"ID X 2"L	1	08711
C INTAKE TUBE; (BRIGHT)	1	27415AKP
D SCREW; M4 .7 X 16MM	2	07793
E HOSE; 4MM ID X 18"L	1	08153
F BRACKET; "Z"	1	070088
G WASHER; 1/4"ID X 5/8"OD	16	08275
H WASHER; 1/4" LOCK	5	08198
I BOLT; M6-1 X 16MM	3	07812
J HOSE CLAMP; #48	1	08601
K HOSE; 3.5" TO 3"ID X 3"L	1	084055
L HOSE CLAMP; #52	1	08610
M EDGE TRIM; 18"L	1	102500
N EDGE TRIM; 70"L	1	102454
O HEAT SHIELD	1	07628
P BOLT; M6 X 1 X 20MM	7	07795
Q BRACKET; "L"	1	070902A
R. WASHER; 1/4"ID X 1/2"OD X 1/8"THK	7	08271
S NUT; 6MM NYLOCK	5	07512
T BRACKET	1	07190A
U BRACKET; "L"	1	070089
V BRACKET; "L"	1	070742A
W ADAPTER; 6" FILTER	1	21512-1
X HOSE CLAMP; #104	1	08697
Y AIR FILTER	1	RU-1020

**NOTE: FAILURE TO FOLLOW INSTALLATION INSTRUCTIONS AND NOT USING THE PROVIDED HARDWARE MAY DAMAGE THE INTAKE TUBE, THROTTLE BODY AND ENGINE.**

### TO START:

1. Turn off the ignition and disconnect the negative battery cable.

**NOTE: Disconnecting the negative battery cable erases pre-programmed electronic memories. Write down all memory settings before disconnecting the negative battery cable. Some radios will require an anti-theft code to be entered after the battery is reconnected. The anti-theft code is typically supplied with your owner's manual. In the event your vehicles' anti-theft code cannot be recovered, contact an authorized dealership to obtain your vehicles anti-theft code.**



2. Remove the two nuts shown that secure the engine cover and then remove the engine cover.



3. Loosen the fresh air intake tube hose clamp and remove the two mounting bolts.



4. Remove the fresh air intake tube from the engine compartment as shown.



5. Disconnect the mass air sensor electrical connection and unhook the wiring harness from the air box.



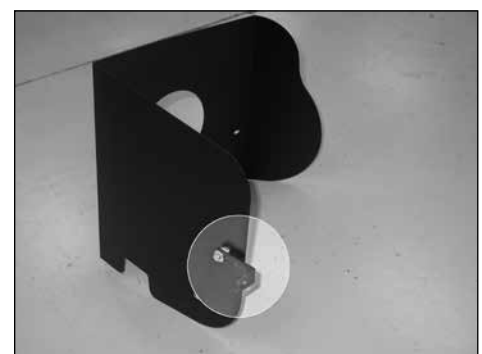
6. Disconnect the crank case vent hose from the air box as shown.



7. Loosen the hose clamp at the throttle body and then remove the two air box mounting bolts shown.



8. Lift up the air box assembly and disconnect the fuel pressure vent line and then remove the complete air box assembly. **NOTE: K&N Engineering, Inc., recommends that customers do not discard factory air intake.**



9. Install the "L" bracket (070742) onto the heat shield as shown using the provided hardware. **NOTE: Place the provided spacer between the bracket and heat shield.**





10. Install the "L" bracket (07190) onto the heat shield as shown using the provided hardware.  
**NOTE: Place the provided spacer between the bracket and heat shield.**



11. Install the "L" bracket (070902) onto the heat shield as shown using the provided hardware.  
**NOTE: Place the provided spacers between the bracket and heat shield.**



12. Install the "L" bracket (070089) onto the inner fender as shown.  
**NOTE: The bolt will thread into the threaded hole in the inner fender.**



13. Install the provided edge trim around the heat shield as shown.  
**NOTE: Some trimming of the edge trim will be necessary.**



14. Install the provided edge trim inside the opening as shown.  
**NOTE: Some trimming of the edge trim will be necessary.**



15. Remove the ground strap mounting bolt and the air injection mounting bracket nut shown.  
**NOTE: The nut will be reused in a later step.**



16. Set the heat shield assembly into position on the inner fender. Secure the lower mounting brackets to the inner fender using the factory nut and provided hardware.  
**NOTE: Be sure to place the spacer between the ground strap and the mounting bracket.**



17. Secure the rear of the heat shield to the bracket installed in step #12 using the hardware and spacer provided. Secure the heat shield to the upper bracket with the hardware provided.



18. Remove the crank case vent hose from the valve cover.



19. Reverse the crank case vent hose and reinstall it back onto the valve cover.



20. Install the tube mounting bracket (070088) onto the valve cover using the provided hardware as shown.



21. Install the provided silicone hose (08711) onto the throttle body and secure with the provided hardware.



22. Remove the mass air sensor from the stock air box as shown.



23. Install the mass air sensor into the K&N® intake tube and secure with the provided bolts.



24. Remove the engine cover mounting stud from the factory air box.



25. Install the K&N® intake tube assembly into the silicone hose at the throttle body and align with the tube mounting bracket, then secure with the provided hose clamp and hardware.



26. Reconnect the crank case vent hose to the K&N® intake tube as shown.



27. Install the engine cover mounting stud into the K&N® intake tube as shown.





28. Install the filter adapter into the K&N® air filter and secure with the provided hose clamp.



29. Install the provided silicone hose (084055) onto the filter adapter and secure with the provided hose clamp.



30. Install the filter assembly onto the K&N® intake tube and secure with the provided hose clamp.



31. Install the provided vacuum hose onto the fuel pressure regulator and then attach the open end to the vent fitting on the K&N® intake tube.



32. Reconnect the Mass air sensor electrical connection.



33. Reinstall the engine cover and secure with the factory mounting nuts.



34. Reconnect the vehicle's negative battery cable. Double check to make sure everything is tight and properly positioned before starting the vehicle.

35. It will be necessary for all K&N® high flow intake systems to be checked periodically for realignment, clearance and tightening of all connections. Failure to follow the above instructions or proper maintenance may void warranty.

#### ROAD TESTING:

1. Start the engine with the transmission in neutral or park, and the parking brake engaged. Listen for air leaks or odd noises. For air leaks secure hoses and connections. For odd noises, find cause and repair before proceeding. This kit will function identically to the factory system except for being louder and much more responsive.

2. Test drive the vehicle. Listen for odd noises or rattles and fix as necessary.

3. If road test is fine, you can now enjoy the added power and performance from your kit.

4. K&N Engineering, Inc. suggests checking the air filter element periodically for excessive dirt build-up. When the element becomes covered in dirt (or once a year), service it according to the instructions on the Recharger® service kit, part number 99-5050 or 99-5000.

**LEGAL IN CALIFORNIA ONLY FOR RACING VEHICLES  
WHICH MAY NEVER BE USED, REGISTERED  
OR LICENSED FOR USE UPON A HIGHWAY.**

See [knfilters.com](http://knfilters.com) for CARB status on each part for a specific vehicle