



QUALITY... PLAIN & SIMPLE®

Connector Cable Installation EC-8003U & EC-8003HT (39-48 Chevy)

General Installation Notes:

Please read instructions completely before beginning installation. If you have any questions please call.

NOTE: Before starting installation, scotch vehicle tires to avoid accidental movement of the vehicle. Disconnect negative battery cable before starting installation.

This handbrake connector cable is designed for use with Lokar's Universal Emergency Brake Cables, but may be adapted to work with other brake cables.

PARTS LIST: EC-8003U AND EC-8003HT

Qty.	Description	Part #
	With Black Plastic Housing:	
1	Black Connector Housing For EC-8001U, Includes:	S-8090
	(1) Universal Black Housing	8036
	(1) Ferrule	8023P
	With Stainless Steel Housing:	
1	Hi-Tech Connector Housing For EC-8001HT - Includes:	S-8089
	(1) Braided Stainless Steel Housing	8039
	(1) Ferrule	8038P
	All:	
1	Connector Inner Wire With Reverse Cable Ball	S-8086
1	Gear Plate Pin E-Ring	70006
1	Chevy Connector Clevis Zinc Plated	8055P
1	Chevy Connector Cable Bracket Zinc Plated	8056P
1	5/16" x 1" Clevis Pin Zinc Plated	8030P
1	Cotter Pin 1/8" x 1/2" Yellow	8031
1	Flat Washer For Brake Cable Packet	8053
1	1/4" Spacer 5/8" OD x .377" ID Zinc Plated	8052P
1	Chevy/Plymouth Dodge Packet Assembly - Includes:	S-8077
	(1) 5/16"-24 x 3" Threaded Rod Zinc Plated	8083
	(2) 5/16"-24 Jam Nut Zinc Plated	8029P
	(1) Single Wire Union Zinc Plated	8042P
	(2) 1/4"-28 x 1/4" Black Socket Set Screw	8025
	(1) 3/8"-24 x 1-3/4" Cable Adjuster	8021
	(2) 3/8" -24 Cable Adjuster Nut	8022P
	(1) Single Cable Adjuster Bracket Zinc Plated	8043P

Connector Cable Installation Instructions

Part# EC-8003U & EC-8003HT (39-48 Chevy)
For Under-the-Dash Hand Operated Emergency Brake

Building American Quality... With A Lifetime Warranty!®

10924 Murdock Dr. • Knoxville, TN 37932

TOLL FREE 1-877-469-7440 • (865) 966-2269 • FAX (865) 671-1999 • tech@lokar.com • www.lokar.com

Step 1: Remove inner wire from brake cable housing on the new Lokar connector cable.

Step 2: Install brake cable housing and Chevy connector cable bracket to hand brake mechanism under dash as shown in **Fig. 1**.

Step 3: Route the brake cable housing back to the rear brake cables.

Step 4: Determine where the single cable adjuster bracket will be mounted. The single cable adjuster bracket must be aligned with the double cable adjuster bracket so that the cables are being pulled in a straight line, not at an angle. If you are using a Lokar Universal Rear Emergency Brake Cable Kit, the single cable adjuster bracket should be mounted approximately 9-1/2" in front of the double cable adjuster bracket as shown in **Fig. 2**.

Step 5: Mount the single cable adjuster bracket to the underside of the vehicle.

Step 6: It will be necessary to shorten the new connector cable assembly. First make sure the inner wire has been removed from the brake cable housing. Mark the brake cable housing where it lines up with the brake cable adjuster. Slide the ferrule up the cable until it is above the mark, so that it does not come off when you cut the brake cable housing.

If the brake cable has a black universal housing, cut the cable housing at the mark with heavy duty 8" diagonal cutting pliers or a hacksaw. Lokar recommends Klein brand Diagonal Cutting Pliers, # 2-2000-28 available at The Home Depot or through W. W. Graingers, Part # 4A838. If the brake cable housing is braided stainless steel, wrap tape around the area to be cut and use an abrasive cutoff saw or fine-toothed hacksaw.

Step 7: Insert the newly-cut end of brake cable housing into the brake cable adjuster at the single cable adjuster bracket. Slide ferrule into the brake cable adjuster.

Step 8: Install inner wire into brake cable housing, starting from the hand brake under the dash. Use clevis end at hand brake. Make sure hand brake is in the fully off position.

Step 9: Connect the clevis to the hand brake lever. The 1/4" thick spacer goes inside the clevis, on the left. The flat washer goes between the cotter pin and the clevis. When the inner wire is fully installed, you will have at least a foot or more of the inner wire sticking out of the brake cable adjuster.

Step 10: Thread the single wire union assembly approximately 1/2" into the rear cable block.

Step 11: Bring the inner wire up next to the single wire union assembly, and mark the inner wire where it lines up with the tapered end of the single wire union assembly.

Step 12: Measure 1-3/8" further towards the rear end of the inner wire and make a second mark. Cut inner wire at the second mark, so that approximately 1-3/8" of the inner wire can be inserted into the single wire union assembly.

Step 13: Loosen set screws using a 1/8" Allen wrench. Insert end of inner wire fully into the single wire union assembly, and tighten the set screws.

Step 14: Adjust all cables as necessary to remove any slack.

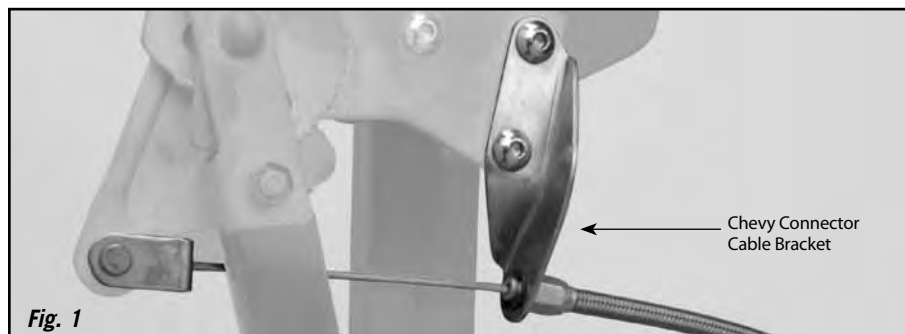


Fig. 1



QUALITY... PLAIN & SIMPLE®

Connector Cable Installation
EC-8003U & EC-8003HT (39-48 Chevy)

Connector Cable Installation Instructions

Part# EC-8003U & EC-8003HT (39-48 Chevy)
For Under-the-Dash Hand Operated Emergency Brake

Building American Quality... With A Lifetime Warranty!®

10924 Murdock Dr. • Knoxville, TN 37932
TOLL FREE 1-877-469-7440 • (865) 966-2269 • FAX (865) 671-1999 • tech@lokar.com • www.lokar.com

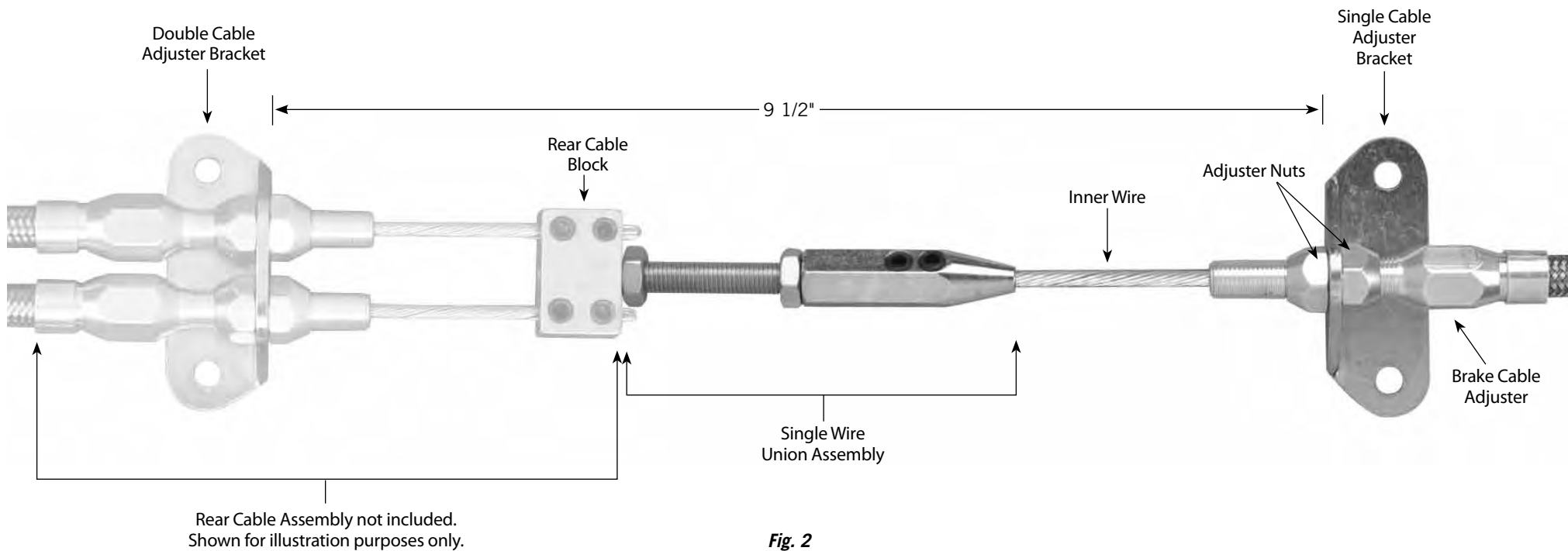


Fig. 2