

## Care and Cleaning

To keep your billet grille looking their best, we recommend using only mild soap and water and a soft cotton cloth to wash and dry it. Use of rough cleaning agents or cloths may scratch or dull your billet grille.

Should your billet grille become scratched or dull, we recommend TRENZ® Metal Polish to bring back the mirror finish. There are three grades of TRENZ® Metal Polish (Coarse, Medium and Fine) that will help you keep your billet grille looking brand new. Select the TRENZ® Metal Polishes best for your needs:

1. Course (Red) Polish – For severe scratches and pitted problems.
2. Medium (Green) Polish – For light scratches and dulling problems.
3. Fine (White) Polish – To bring back the mirror finish.

TRENZ® Metal Polish can be used on all metal products, including aluminum, stainless steel, brass and copper. If you have additional questions or concerns on the maintenance of your Lund® billet grille, please call us at 800-328-5863. You may also use high quality commercially available polish recommended for aluminum accessories.

## Congratulations!

You have purchased one of many quality Lund® branded products offered by Lund International, Inc. We take the utmost pride in our products and want you to enjoy years of satisfaction from your investment. We have made every effort to ensure that your product is top quality in terms of fit, durability, finish and ease of installation.



Lund International, Lund Accessories Division  
775 Tipton Industrial Drive, Building 2, Suite F  
Lawrenceville, GA 30045

Phone 800-328-5863 • Fax 800-782-5448 • Visit us at [lundinternational.com](http://lundinternational.com)

© 2005 Lund International, Inc. All rights reserved.  
Lund® and the Lund® logo are trademarks of Lund International, Inc.

## Installation Instructions

Part Number 89016

I-sheet Rev. A2



## Framed Perimeter Grille

For proper installation and best possible fit, please read all instructions **BEFORE** you begin.  
For technical assistance or to obtain missing parts, please call Customer Relations at 1-800-328-5863.

## Important Safety Information



CAUTION  
PRECAUCIÓN  
ATTENTION

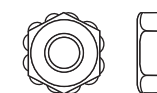
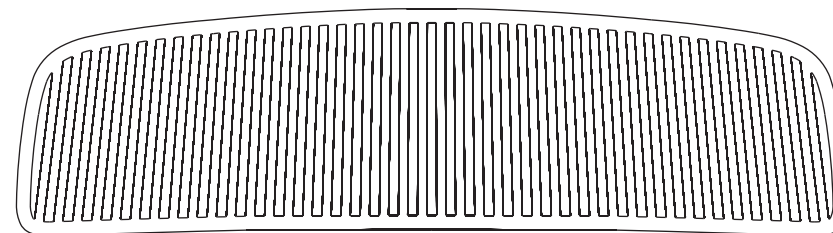
To avoid risk of personal injury or property damage:

- Wear safety glasses and gloves while installing billet inserts.
- Use caution when working with any power tools.
- Check clearance on vehicle.
- Make sure that the billet inserts are secured in place and clears all moving parts of the vehicle.
- Routinely check security of hardware.
- Do not use automatic “brush-style” car washes.

## Contents

Illustrations may vary upon application

Billet Grille

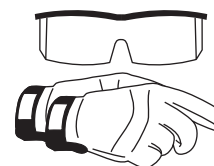


8 - 10/32 (N6)  
Kep Nuts



8 - 1/4" SAE (W17)  
Flat Washers

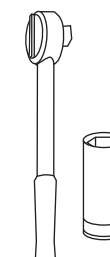
## Tools Required



Safety Glasses  
and Gloves



Short Phillips  
Screwdriver



Ratchet with  
3/8" Deep Socket

## Shipping Note

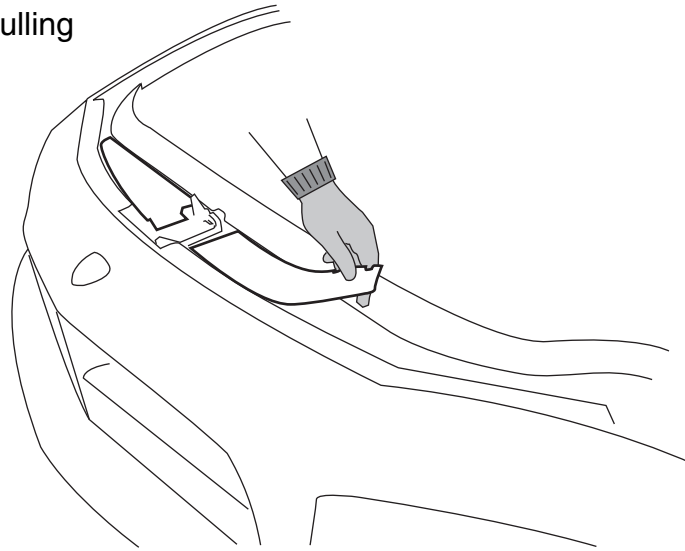
Sometimes the billet products get bent in the shipping process. You may need to hand bend them to attain the desired shape.

# Installation Steps

Illustrations may vary upon application

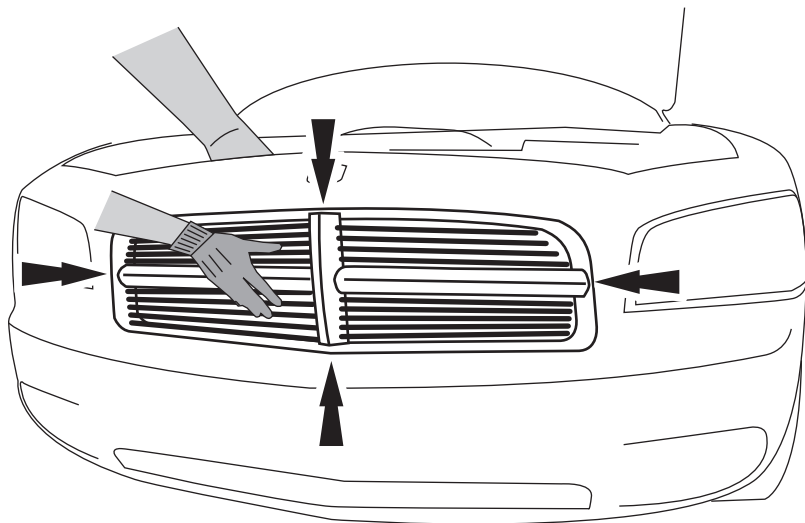
Remove the black radiator cover by pulling it upward away from the vehicle.

Save cover for reinstallation.



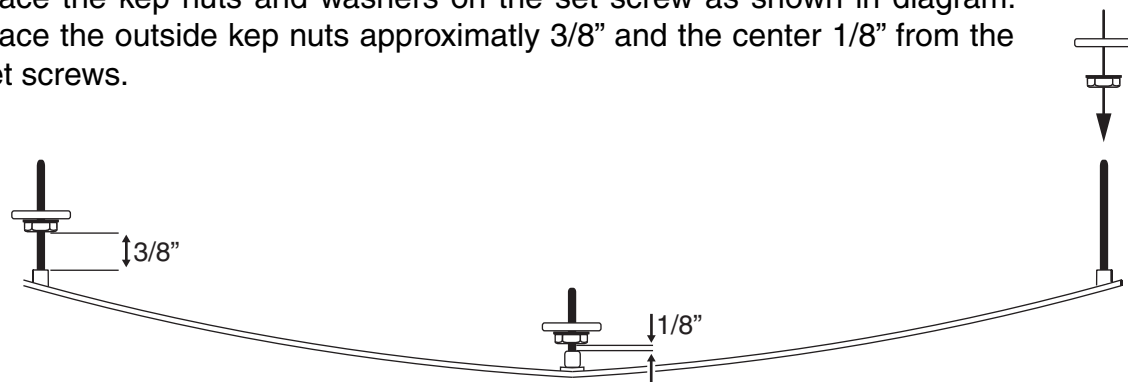
1

Use a short Philips screwdriver to remove the four screws that are located on the top, bottom and sides of the stock grille. Then unsnap the four clips on the top and bottom of the grille. Carefully remove the stock grille from vehicle.



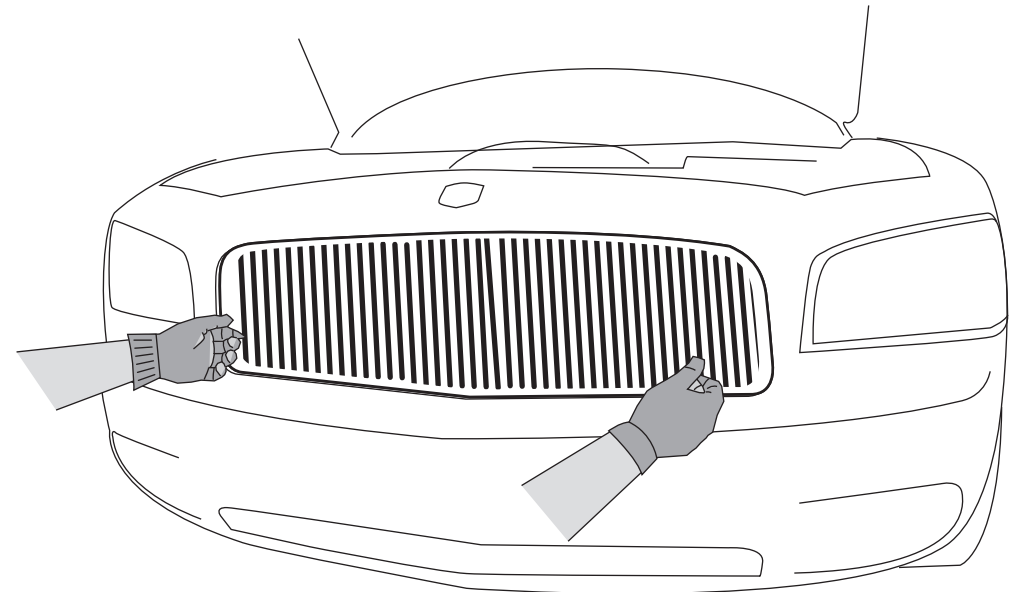
2

Place the kep nuts and washers on the set screw as shown in diagram. Place the outside kep nuts approximately 3/8" and the center 1/8" from the set screws.



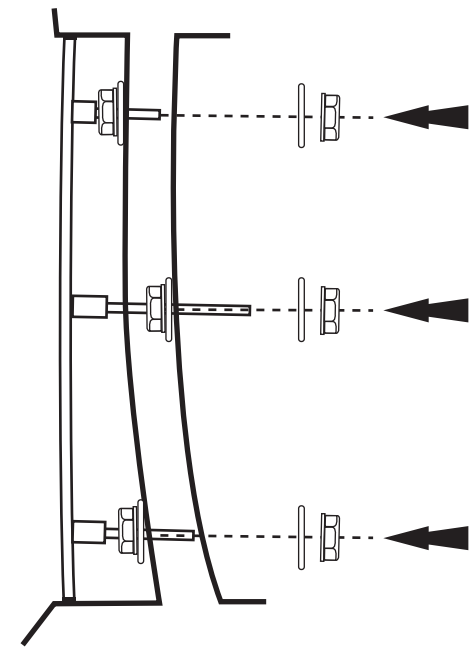
3

Place billet grille into grille opening and line up the set screw with factory hole on vehicle.



4

Adjust the position of the kep nuts on the set screw to align the grille in place. Then secure in place with washers and kep nuts as shown in diagram.



5