



Frame Perimeter Grille

For proper installation and best possible fit, please read all instructions **BEFORE** you begin.
For technical assistance or to obtain missing parts, please call Customer Relations at 1-800-328-5863.

Important Safety Information



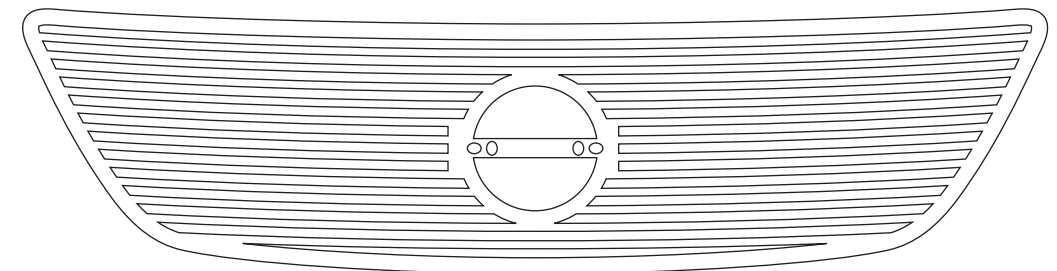
CAUTION
PRECAUCIÓN
ATTENTION

To avoid risk of personal injury or property damage:

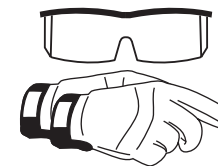
- Wear safety glasses and gloves while installing billet inserts.
- Use caution when working with any power tools.
- Check clearance on vehicle.
- Make sure that the billet inserts are secured in place and clears all moving parts of the vehicle.
- Routinely check security of hardware.
- Do not use automatic “brush-style” car washes.

Contents Illustrations may vary upon application

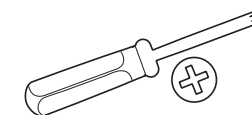
Billet Grille



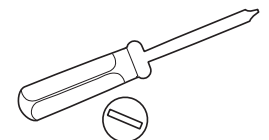
Tools Required



Safety Glasses
and Gloves



Phillips
Screwdriver



Flat Head
Screwdriver

Shipping Note

Sometimes the billet products get bent in the shipping process. You may need to hand bend them to attain the desired shape.

Care and Cleaning

To keep your billet grille looking their best, we recommend using only mild soap and water and a soft cotton cloth to wash and dry it. Use of rough cleaning agents or cloths may scratch or dull your billet grille.

Should your billet grille become scratched or dull, we recommend TRENZ® Metal Polish to bring back the mirror finish. There are three grades of TRENZ® Metal Polish (Coarse, Medium and Fine) that will help you keep your billet grille looking brand new. Select the TRENZ® Metal Polishes best for your needs:

1. Course (Red) Polish – For severe scratches and pitted problems.
2. Medium (Green) Polish – For light scratches and dulling problems.
3. Fine (White) Polish – To bring back the mirror finish.

TRENZ® Metal Polish can be used on all metal products, including aluminum, stainless steel, brass and copper. If you have additional questions or concerns on the maintenance of your Lund® billet grille, please call us at 800-328-5863. You may also use high quality commercially available polish recommended for aluminum accessories.

Congratulations!

You have purchased one of many quality Lund® branded products offered by Lund International, Inc. We take the utmost pride in our products and want you to enjoy years of satisfaction from your investment. We have made every effort to ensure that your product is top quality in terms of fit, durability, finish and ease of installation.



Lund International, Lund Accessories Division
775 Tipton Industrial Drive, Building 2, Suite F
Lawrenceville, GA 30045

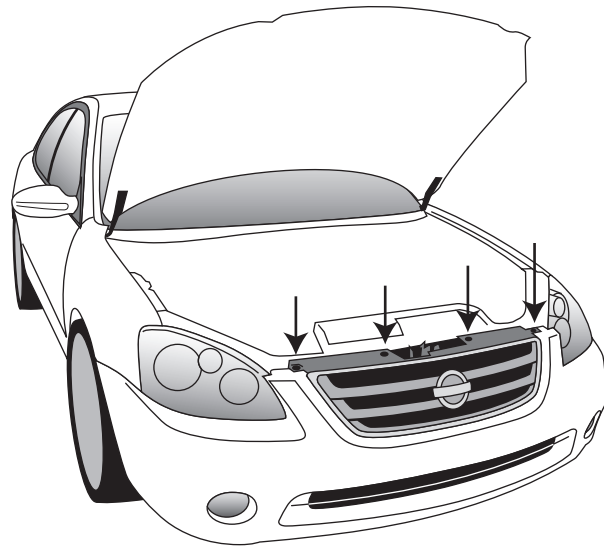
Phone 800-328-5863 • Fax 800-782-5448 • Visit us at lundinternational.com

© 2005 Lund International, Inc. All rights reserved.
Lund® and the Lund® logo are trademarks of Lund International, Inc.

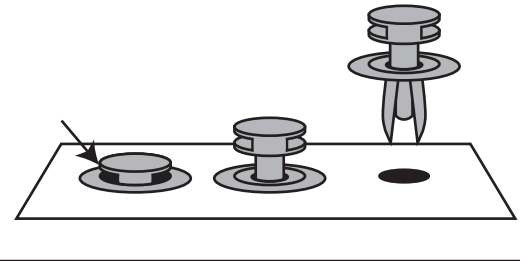


Installation Steps Illustrations may vary upon application

Open the hood and remove the four black plastic rivets that secure the top of the grille shell.

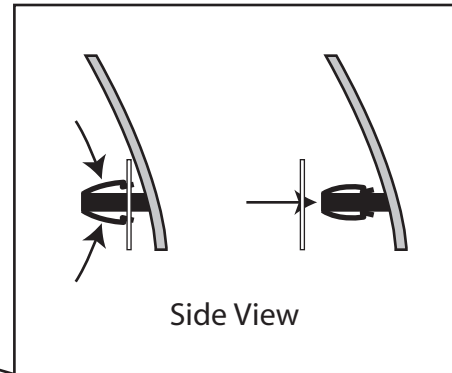


To remove the plastic rivets, use a flat head screwdriver pry up on the center, then lift out the whole rivet.



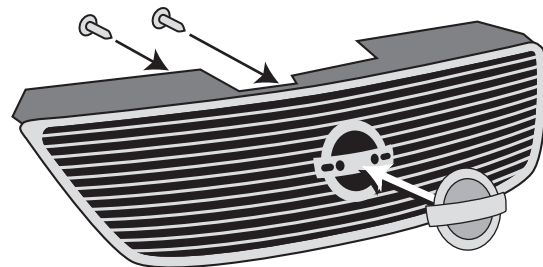
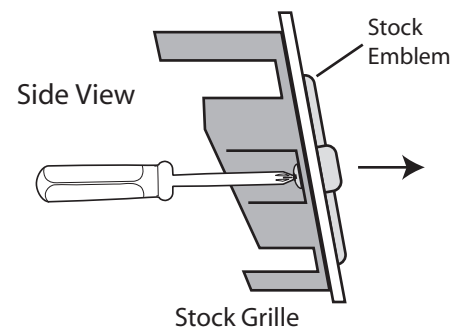
1

Pull back the top of the grille shell and locate the two lower corner clips. Release these clips by squeezing the top and bottom tabs together and pull the grille shell forward. Once the corners are released, carefully pull the grille shell off the vehicle.



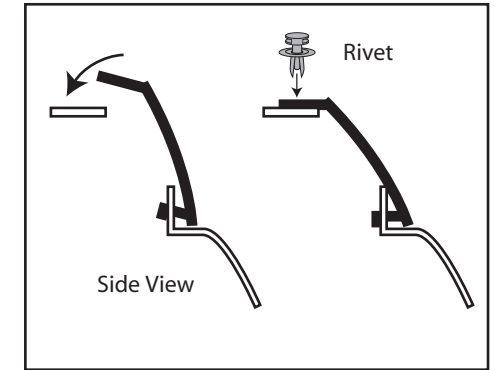
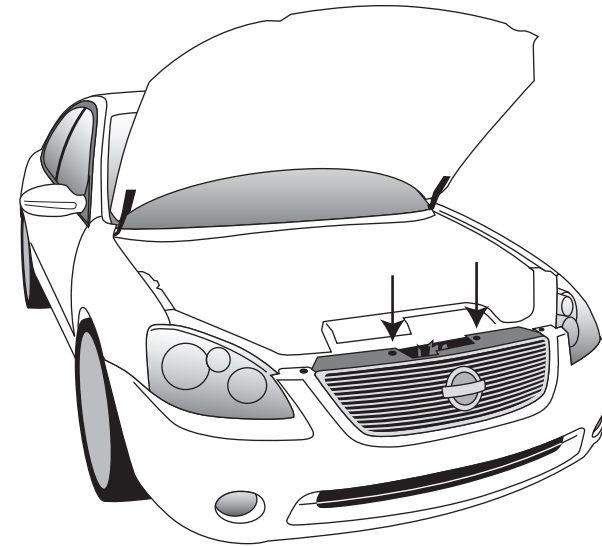
2

From the back of the grille shell, use a phillips head screwdriver to remove the emblem. Use the screws you just removed to attach the stock emblem to the new Billet Grille.



3

Place the bottom of the new Billet Grille into place first. Once the bottom four tabs are in place, slide the top into place and secure with two of the four plastic rivets that were removed in Step 1. Place the other two plastic rivets in the remaining holes.



4

Inspection After Installation

Make sure everything is secure and close the hood. Enjoy the award-winning product you have just installed!



5