

Care and Cleaning

To keep your billet grille looking their best, we recommend using only mild soap and water and a soft cotton cloth to wash and dry it. Use of rough cleaning agents or cloths may scratch or dull your billet grille.

Should your billet grille become scratched or dull, we recommend TRENZ® Metal Polish to bring back the mirror finish. There are three grades of TRENZ® Metal Polish (Coarse, Medium and Fine) that will help you keep your billet grille looking brand new. Select the TRENZ® Metal Polishes best for your needs:

1. Course (Red) Polish – For severe scratches and pitted problems.
2. Medium (Green) Polish – For light scratches and dulling problems.
3. Fine (White) Polish – To bring back the mirror finish.

TRENZ® Metal Polish can be used on all metal products, including aluminum, stainless steel, brass and copper. If you have additional questions or concerns on the maintenance of your Lund® billet grille, please call us at 800-328-5863. You may also use high quality commercially available polish recommended for aluminum accessories.

Congratulations!

You have purchased one of many quality Lund® branded products offered by Lund International, Inc. We take the utmost pride in our products and want you to enjoy years of satisfaction from your investment. We have made every effort to ensure that your product is top quality in terms of fit, durability, finish and ease of installation.



Lund International, Lund Accessories Division
775 Tipton Industrial Drive, Building 2, Suite F
Lawrenceville, GA 30045

Phone 800-328-5863 • Fax 800-782-5448 • Visit us at lundinternational.com

© 2005 Lund International, Inc. All rights reserved.
Lund® and the Lund® logo are trademarks of Lund International, Inc.

Installation Instructions

Part Number 89081

I-sheet Rev. A2



Framed Perimeter Grille

For proper installation and best possible fit, please read all instructions **BEFORE** you begin.
For technical assistance or to obtain missing parts, please call Customer Relations at 1-800-328-5863.

Important Safety Information



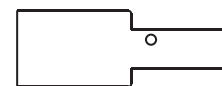
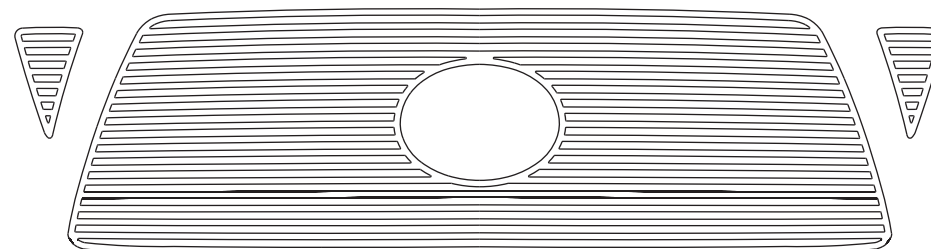
CAUTION
PRECAUCIÓN
ATTENTION

To avoid risk of personal injury or property damage:

- Wear safety glasses and gloves while installing billet inserts.
- Use caution when working with any power tools.
- Check clearance on vehicle.
- Make sure that the billet inserts are secured in place and clears all moving parts of the vehicle.
- Routinely check security of hardware.
- Do not use automatic “brush-style” car washes.

Contents

Illustrations may vary upon application



4 - Slider Tabs



4 - Hair pin clips



4 - 3/16 x 1/2”
(W2) Washers



4 - 10/32 (N6)
Kep Nuts

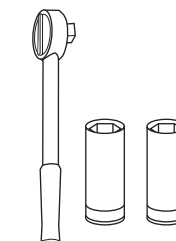
Tools Required



Safety Glasses
and Gloves



Phillips
Screwdriver



Ratchet with 10MM &
3/8” Deep Socket

Shipping Note

Sometimes the billet products get bent in the shipping process. You may need to hand bend them to attain the desired shape.

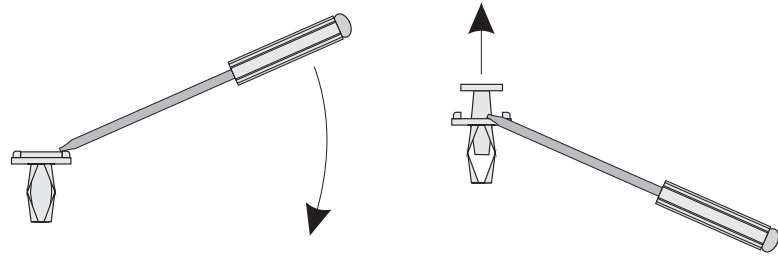
Caution

Grille covers may reduce airflow which may result in higher operating temperatures. Monitor your vehicle's operating temperature to ensure proper operating conditions.

Installation Steps

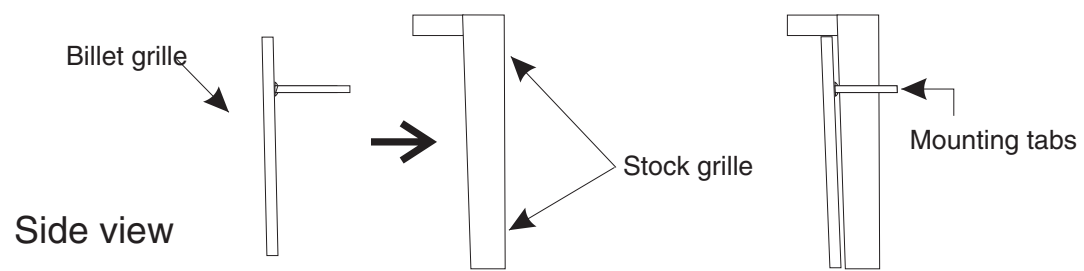
Illustrations may vary upon application

Pop open hood and remove plastic rivets from the radiator cover by popping up the center of the rivet with a flat screwdriver



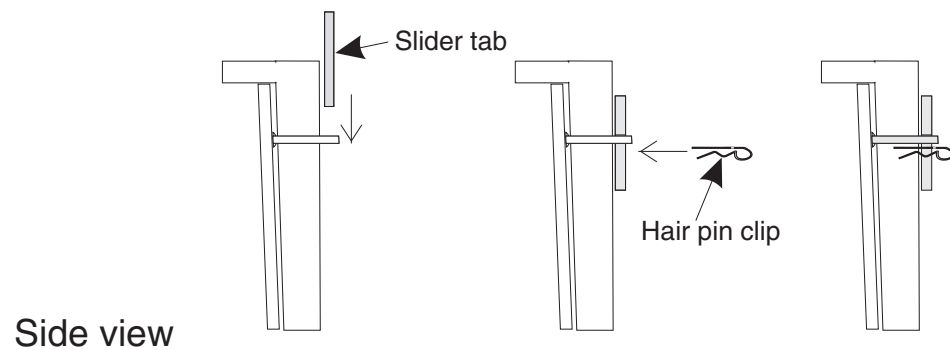
1

Insert center billet grille into the stock grille. Mounting tabs should go past the stock mesh.



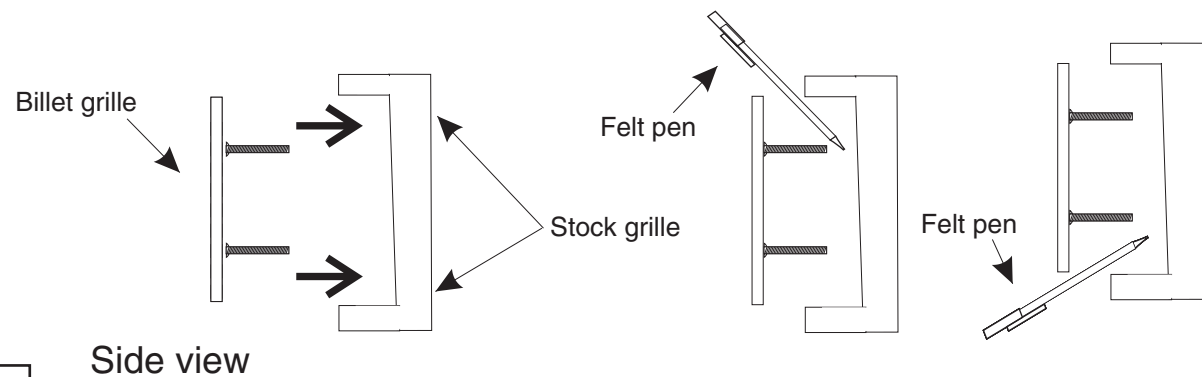
2

Using the slider tabs and hair pin clips provided, slide one tab into each mounting tab hole and insert one hair pin clip in each mounting tab.



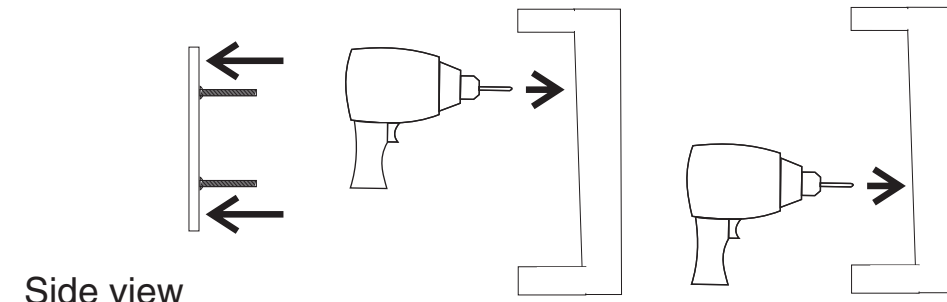
3

Push side billet grilles into the stock grille shell. Mark with a felt pen where socket screws touch the back wall of the grille shell.



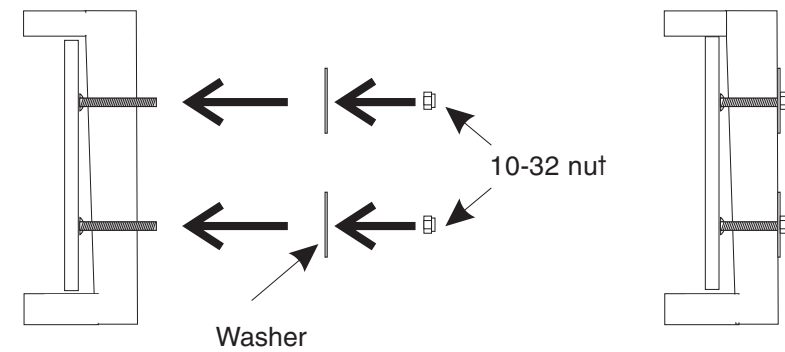
4

Using a drill and a 3/8" drill bit, drill holes where you just marked.



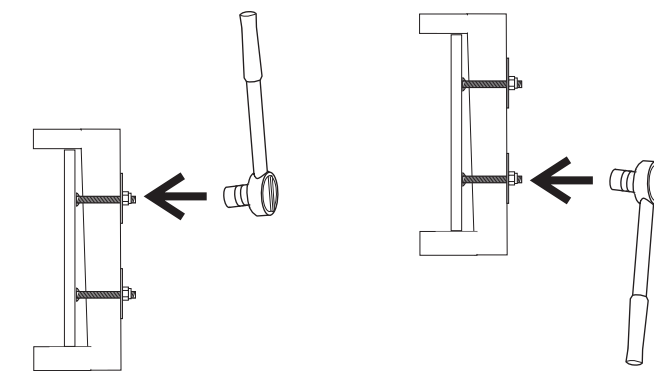
5

Using the hardware provided, hand tighten the four kep nuts to the stock grille.



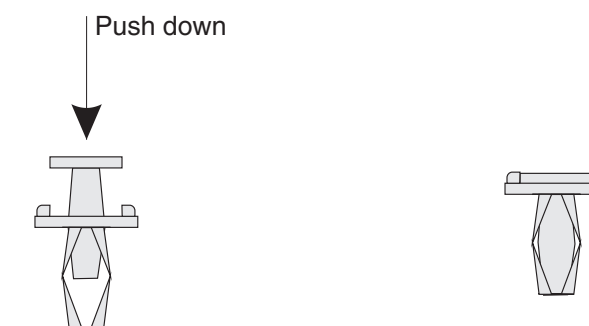
6

Using a ratchet and a 3/8 socket, tighten each kep nut to a snug fit.



7

Reinstall radiator cover and plastic rivets that were removed in step 1. Close hood.



8