



Premium Style. Lasting Performance.

INSTALLATION INSTRUCTIONS

PART NUMBER **311/313/314**

LAST UPDATE **03/01/13**

!! PLEASE READ ALL INSTRUCTIONS BEFORE STARTING !!

Installing Lund fender flares can be an easy process. Anyone with minimal mechanical knowledge can install the flares without any issues if the instructions are followed carefully. However we do still recommend a professional for the installation. Please read completely before starting installation or painting to avoid unexpected steps.

Kit Content

First of all, please check for shipping damage, if you see any cracks on the flare, please contact us immediately for shipping claim. Next, check all contents of this package before attempting to install the product.

Front Flare x2 Rear Flare x2	Instruction 1 sheet	Rubber Seal	(RX Style only) Rivet + Nylon Nut x32	Push U-Clip x10

Custom Paint Job (Optional)

Please test fit all the flares first to ensure you have the correct flares for your vehicle. We are not responsible for any costs you may incur if you did not confirm the flares before having it painted. We recommend hiring professionals to custom paint the products. It is also ideal to have the painting done prior to the installation to eliminate any over-spraying issues.

This instruction applies to the following part numbers

SX311S/T | RX311S/T | EX311S/T

SX313S/T | RX313S/T |

SX314S/T | RX314S/T | EX314S/T

Tools / Hardware Required

- Razor blade
- Hex Key 4.5 for rivet bolt
- Hex Key 4.0 for U-Clamp

- Save existing screws from the vehicle
- Socket wrench for nut
- Philips screwdriver

Vehicle Preparation

1 Remove existing fender flares. (Skip this step if you don't have existing fender flares.)

Remove all the screws and fasteners currently holding the existing flare to the vehicle. Write down and save all the screws you have removed for re-use with the Lund fender flares. If certain areas of the existing flares are held on with double sided tape, you will have to pry your existing flare off. Please do so carefully to avoid damage to your vehicle body.

2 Test fitting.

Hold each and every flare up to the fender. Make sure you align the flare to the contour of the body, and the mounting holes lineup to the existing mounting holes on the inner fender lip (if applicable). Don't worry if not all the holes line up, as some holes are meant to be used with different installation hardware that is provided. The flares may not be sitting flush at this time, our flares are designed to flex into the bodyline when you actually install them using the provided and existing hardware. At any time, do not drill or modify the fender flare in anyway, as you will void your warranty.

3 Remove other existing parts.

Some vehicles may require the removal of existing parts that will interfere with the installation. Common item would be mud flaps; however by using fender flares, they act as another form of mud deflector. If you are not confident in doing so, this will be a good time to take your vehicle to a professional for the installation.

4 Cleaning the vehicle.

Make sure to wash your vehicle, especially the area the fender flares will be mounted to including the inner fender lip. Any dirt or debris that has not been cleaned or removed can potentially cause the improper fitment of the fender flare. If you are covering existing rust, we recommend sanding down the rust and primer over to prevent further deterioration of the metal in the fender. Make sure the vehicle is dry before the installation.

Fender Flare Preparation

1 Cleaning the flares.

The fender flares come ready to be installed, however if you need to clean them, please use a mild detergent to wash and then dry completely.

2 For RX Style Only (SKIP if you have SX or EX style)

Install the rivet screws and nuts to each of the rivet holes on the flare. Our rivets are designed to screw on to the fender flares only, and they shouldn't be touching

the vehicle body at all. Tighten by hand only, as our special nut has a nylon lock built into it to prevent it from coming loose.

3 Installation of the Rubber Seal.

Before you start cutting any rubber seal, please study the diagram. Do not use the rubber seal in any other areas other than indicated; otherwise you will end up with a shortage of rubber seal on your last flare. Start the installation of the rubber seal as indicated in the diagram. Then cut the rubber seal with a razor. Follow the same instruction for the remaining flares.

*Each roll of the rubber seal provided is long enough to complete the 4 fender flares and with extra to spare, however we are not responsible for the improper use of the rubber seal. Extra rolls of the rubber seal can be purchased on our website under the replacement parts category.

Begin Installation

1 Start with any fender flare you like. First, holding the flare against the fender. Make sure that all the body line is lined up, and insert the first mounting hardware towards the middle of the flare. That way it will hold up the flare.

2 Next, you will continue the installation of all the remaining hardware from the middle outwards. Before tightening any hardware, make sure the flare is lined up correctly.

TIP: it may be a good idea to line up all the necessary hardware in order on the floor next to the wheel so you will have easy access to them, which will help avoid any confusion and mistakes.

3 Finally, you will tighten the hardware fasteners if needed. If it's a clip type, make sure the clips are clipped into place. (refer to the diagram for correct way to mount the hardware)

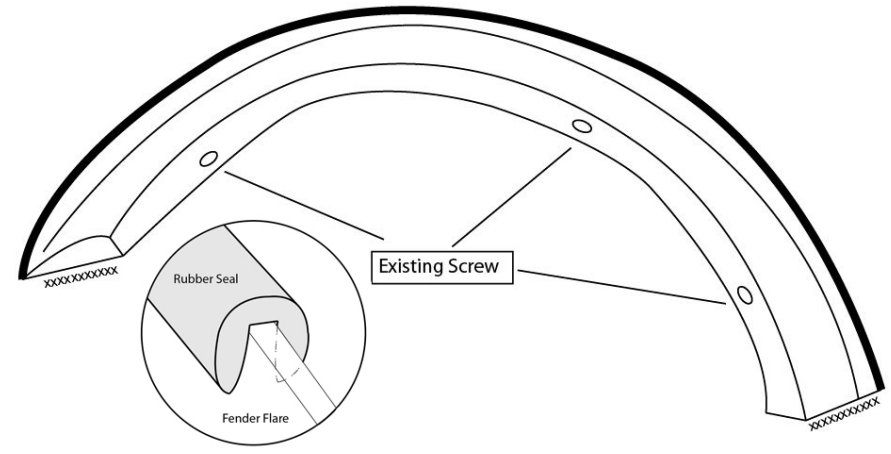
4 Now you can try to use your hand and lightly pry on the flare at the mounting location to see if any hardware is loose.

5 Repeat the same steps for rest of the flares.

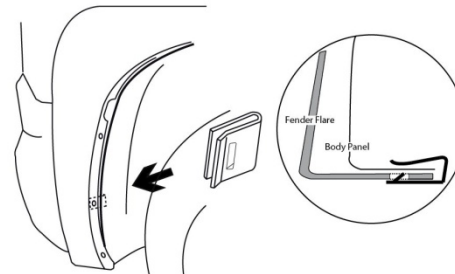
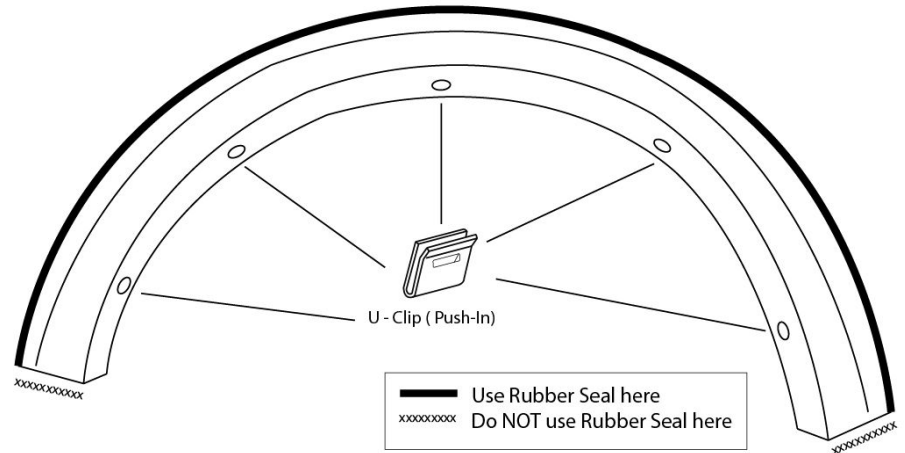
Product Care

Lund fender flares are built to last; any detergent you use to wash your vehicle is sufficient to clean the flares. Do not use any harsh abrasive detergents.

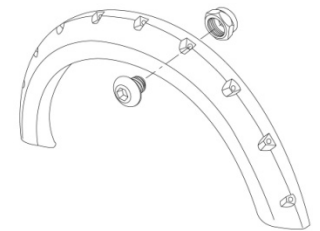
Front Flare



Rear Flare



Push U-Clip



For Rivet Style Only