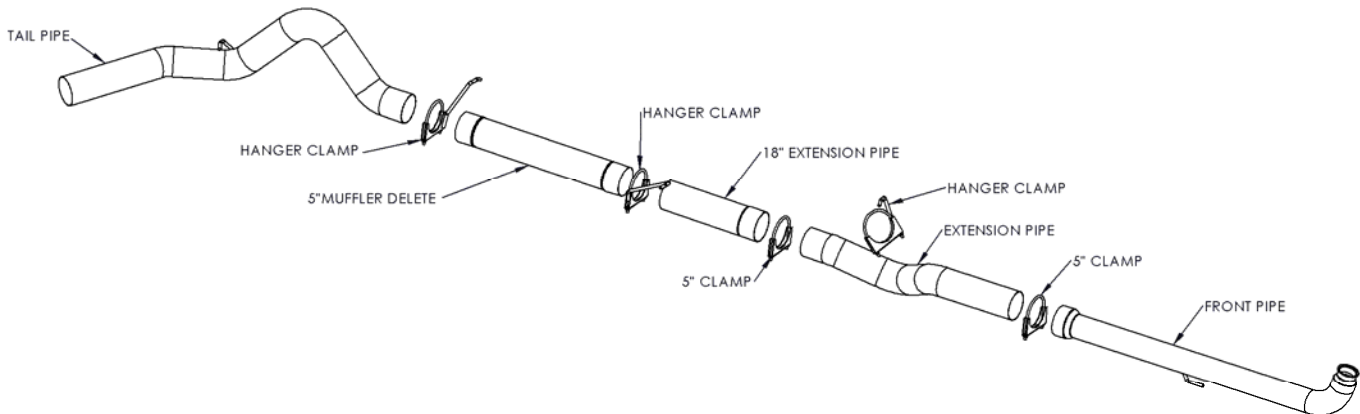


S6020PLM/S6020SLM

'01-'07 CHEVY/GMC 6.6L DURAMAX, 2500/3500 EC CC, 5" FRONT PIPE BACK



November 11, 2010



PLEASE READ BEFORE STARTING INSTALLATION

MBRP Inc. has made every effort to ensure that all components of this system are of superior quality and properly packaged. It is the installer's responsibility to ensure that all components are present and fit together as shown. Please also ensure that all components are undamaged before removal of the factory exhaust. Finally, check that this system properly matches the make and model of the vehicle and will not interfere with previous or planned modifications.

Removal of Stock System:

1. Apply a penetrating lubricant liberally to all exhaust fasteners, hangers and rubber insulators.
2. Using a 15mm socket or wrench, disconnect the factory exhaust system at the four bolt flange located behind the catalytic converter. If the vehicle is not equipped with a catalytic converter disconnect the four bolt flange located approximately under the passenger side seat.
3. Remove the exhaust system from the rubber insulators and remove from under the vehicle. If a hoist is not available for use, it may be necessary to cut the tail pipe behind the muffler for removal of the system.
4. Unbolt the OEM hanger from the transmission and remove. Loosen the factory band clamp and remove the stock front pipe. Do not discard the band clamp as it is required for the installation.

Installation of MBRP Inc. Performance Exhaust:

1. Install the Front Pipe onto the factory down pipe using the band clamp removed previously. Do not fully tighten to allow for adjustment.
2. Install the hanger removed previously by sliding the outside hole in the rubber insulator over the hanger on the Front Pipe and re-connect to the transmission.
3. Install the Extension Pipe into the Front Pipe. Then connect the 18" Extension Pipe to the Extension Pipe at the slip joint placing the bend around and under the cross member. The Extension Pipe does not require cutting to fit crew cab trucks. For extended cab trucks, approximately 9½" needs to be cut off the end with the longest straight section of pipe. (Installation tip: Temporarily hang the Tail Pipe, Muffler Delete Pipe and the 18" Extension Pipe if required in place and measure to the Front Pipe to verify the length required).
4. Position the Extension Pipe as shown and loosely install the Hanger Clamps (refer to the illustration). This will support the Extension Pipe during the Muffler Delete installation.
5. Crew cab & extended cab long bed trucks require the use of the 18" Extension Pipe provided. This is to be positioned between the Muffler Delete and the Extension Pipe. The 18" Extension Pipe is not required with short box trucks. Install the Muffler Delete onto the Extension Pipe or the 18" Extension Pipe.
6. Install the Tail Pipe to the Muffler Delete outlet. Install the tail pipe hanger into the OEM rubber hanger. Adjust for best axle clearance and Tail Pipe exit location to complete.
7. Install the Hanger Clamp with the longest hanger at the connection between the Muffler Delete and the Tail Pipe into the OEM rubber hanger at this position.
8. Align the exhaust as required. Starting at the front of the exhaust, add and tighten all clamps.
9. Check along the whole length of the exhaust system to ensure that there is adequate clearance around the spare tire, fuel and brake lines or any wiring. If any interference is detected relocate or adjust.

Congratulations! You are ready to begin experiencing the improved driving pleasure of your MBRP Inc. performance exhaust system. We know you will enjoy your purchase.