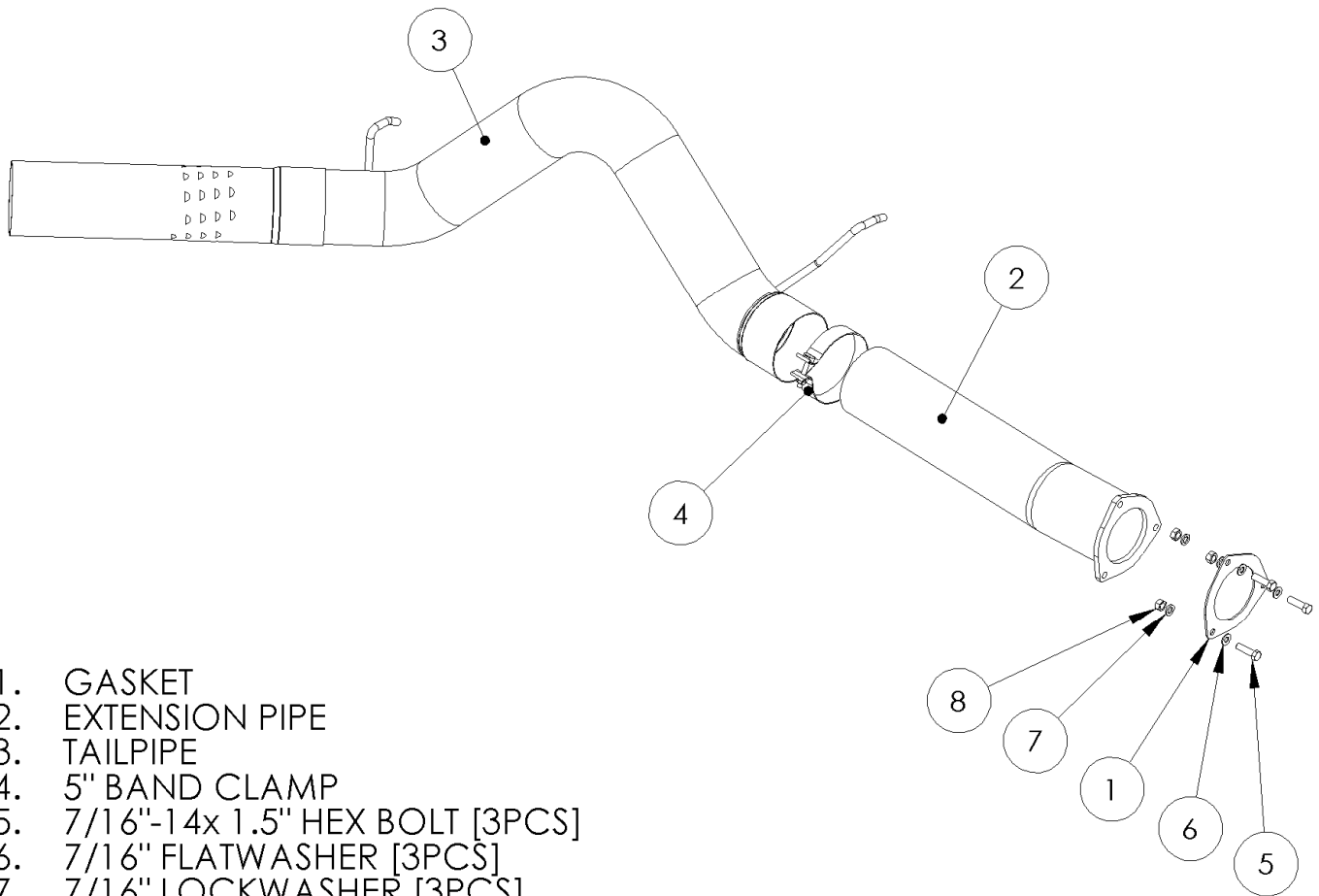


S6030AL
DURAMAX 5" SINGLE SIDE PARTICULATE
FILTER BACK



1. GASKET
2. EXTENSION PIPE
3. TAILPIPE
4. 5" BAND CLAMP
5. 7/16"-14x 1.5" HEX BOLT [3PCS]
6. 7/16" FLATWASHER [3PCS]
7. 7/16" LOCKWASHER [3PCS]
8. 7/16" HEX NUT [3PCS]

PLEASE READ BEFORE STARTING INSTALATION

While MBRP Inc. has made every effort to ensure that all components of this system are of superior quality and properly packaged it is the installer's responsibility to ensure the following before removal of the factory exhaust:

- that ALL components shown above are present.
- that ALL mating components fit together.
- that there are no damaged components.
- that the system you have purchased is appropriate for your vehicle year, model and configuration.
- that the system will not interfere with any modifications previously installed.
- that you have read and understand these instructions.

If you have any questions or are uncertain about any aspect of the installation of this system to your vehicle please contact your dealer before commencing installation.

Removal of stock system:



Figure 1

1. Apply a penetrating lubricant liberally to all exhaust fasteners, hangers and rubber isolators.

2. Remove the factory tail pipe assembly from the factory rubber isolators. **Refer to Figures 1 and 2.**



Figure 2

3. Cut the factory tail pipe as shown and remove the rear section. **Refer to Figure 3.**



Figure 3

4. Remove the three nuts at the muffler inlet flange and remove the muffler. **Refer to Figure 4.**



Figure 4

Installation of MBRP Inc. Performance Exhaust:



Figure 5

1. Install the three supplied **7/16" Hex Bolts** in the existing flange and place the supplied **Gasket** over the bolts. **Refer to Figure 5.**



Figure 6

2. Install the **Extension Pipe** onto the flange. There is a slight bend in the **Extension Pipe**. The inside of this bend must face the driveshaft. If the outlet of the **Extension Pipe** angles slightly towards the driveshaft you have installed it correctly. Failure to install this pipe correctly will result in the **Tail Pipe** not fitting properly. Secure with the three supplied **7/16" Flat Washers**, three **7/16" Lock Washers** and three **7/16" Nuts**. **Refer to Figure 6.**



Figure 7

3. Slide the **5" Band Clamp** over the outlet of the **Extension Pipe**. Install the **Tail Pipe** from the rear of the truck over the axle and slide it on to the **Extension Pipe**. Install the **Tail Pipe** hangers into the factory rubber isolators. **Refer to Figure 7.**



Figure 8

4. Align the system and tighten the **5" Band Clamp**. **Refer to Figure 8.**

5. Check along the whole length of the exhaust system to ensure that there is adequate clearance around the spare tire, fuel and brake lines or any wiring. If any interference is detected relocate or adjust.



Congratulations! You are ready to begin experiencing the improved power, sound and driving experience of your MBRP Inc. performance exhaust system. We hope you enjoy your purchase.