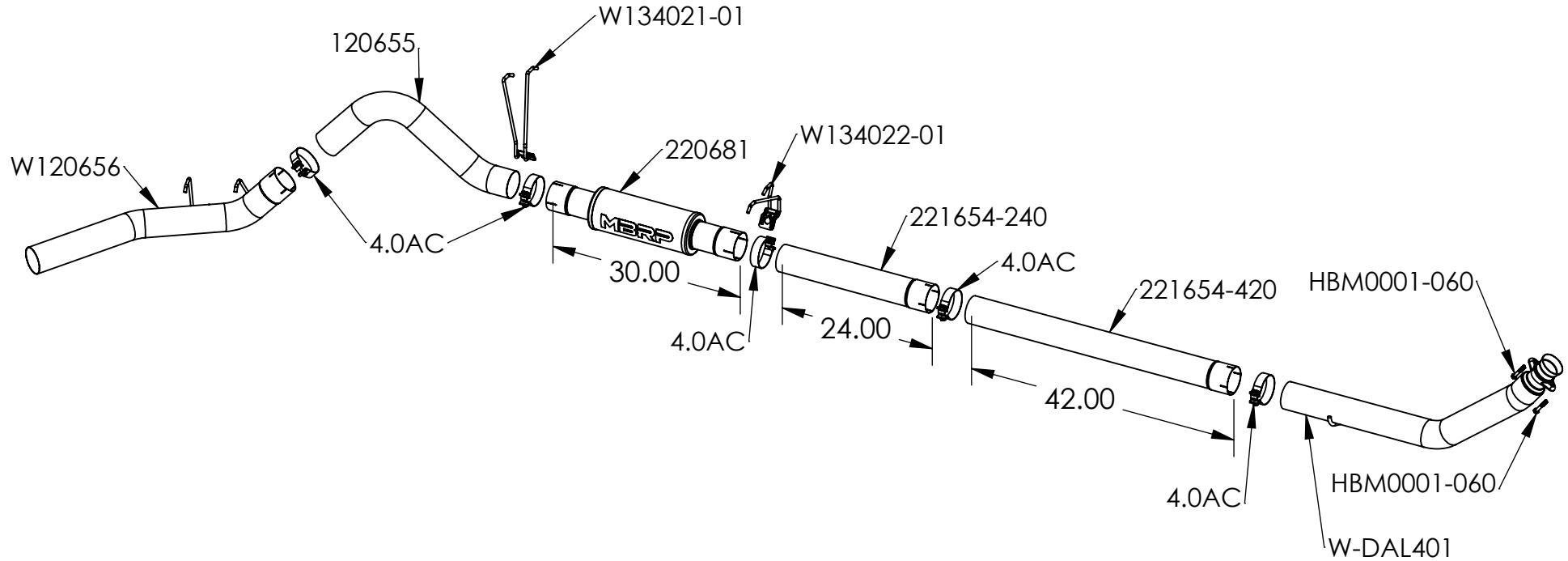


S6100P

1998.5-2002 DODGE 2500/3500, 5.9L CUMMINS, TURBO-BACK,
4.0" SINGLE SIDE



ITEM NO.	PART NUMBER	DESCRIPTION	S6100P/QTY.
1	W-DAL401	DOWN PIPE	1
2	221654-420	PIPE, EXTENSION, 4"	1
3	221654-240	PIPE, EXTENSION, 4"	1
4	220681	30" LONG SINGLE 4" MUFFLER	1
5	120655	OVER AXLE 4" (2PCS D404)	1
6	W120656	TAIL PIPE ASSEMBLY 4" (2PCS D404)	1
7	4.0AC	CLAMP, 4" BAND, ALUMINIZED STEEL	5
8	W134022-01	HANGER ASSY, HANG TIGHT™, 3/8"	1
9	W134021-01	HANGER ASSY, HANG TIGHT™, 3/8"	1
10	HBM0001-060	BOLT, HEX FLANGE, M10-1.5 X 60MM, YELLOW ZN	2

3-Oct-23
REV:L

MBRP