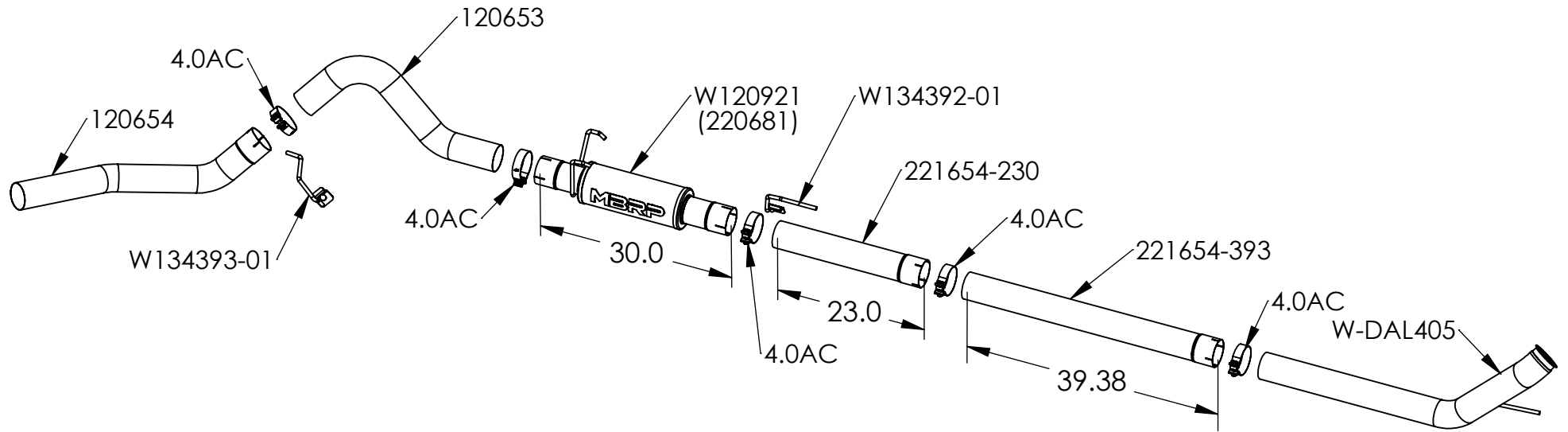


S6104P

03-04 DODGE 2500/3500 5.9L CUMMINS, TURBO BACK, 4" SINGLE SIDE
 NOT FOR USE ON VEHICLES EQUIPPED WITH CATALYTIC CONVERTER



ITEM NO.	PART NUMBER	DESCRIPTION	S6104P/QTY.
1	W-DAL405	PIPE ASSEMBLY, 4", DOWN	1
2	221654-230	PIPE, EXTENSION, 4"	1
3	221654-393	PIPE, EXTENSION, 4"	1
4	W120921	30" LONG SINGLE 4" MUFFLER	1
5	120654	TAIL PIPE ASSEMBLY 4" (2PC D407)	1
6	120653	OVER AXLE 4" (2PC D407)	1
7	W134392-01	HANGER ASSY, HANG TIGHT™ 1/2"	1
8	W134393-01	HANGER ASSY, HANG TIGHT™ 1/2"	1
9	4.0AC	CLAMP, 4" BAND, ALUMINIZED STEEL	5

28-SEPT-2023
 REV:K

MBRP