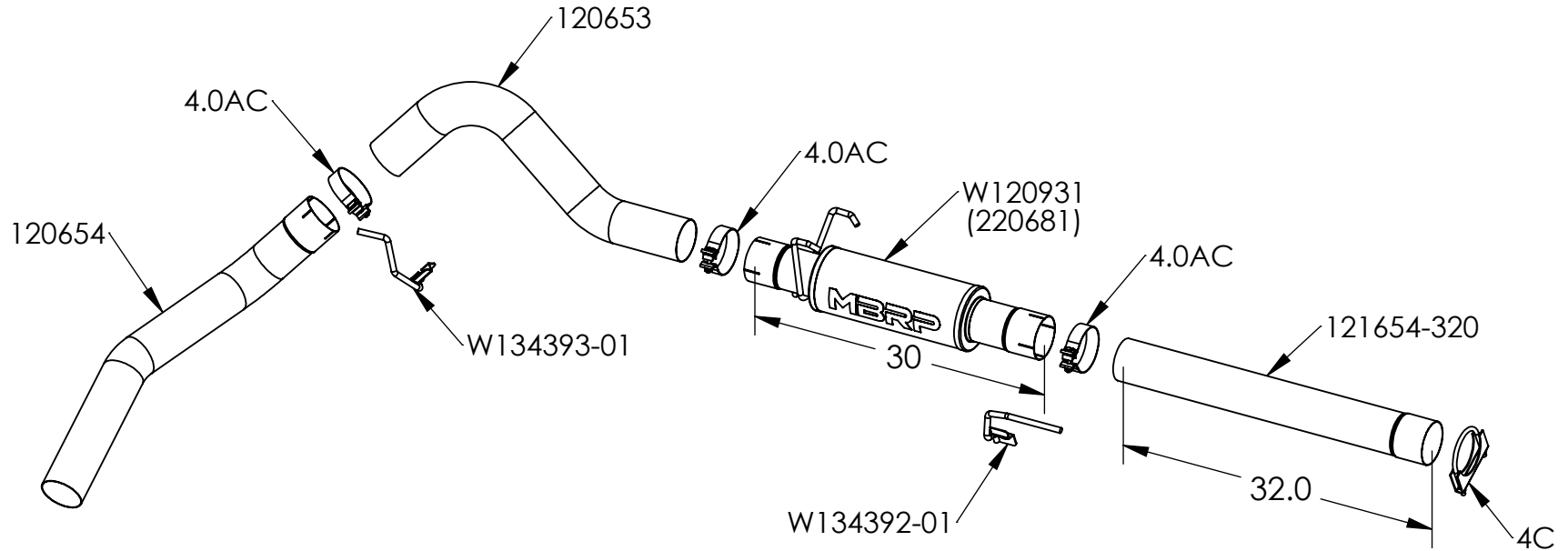


S6108P

04.5-07 DODGE 2500/3500 "600/610" 5.9L CUMMINS, CAT BACK,
4" SINGLE SIDE



ITEM NO.	PART NUMBER	DESCRIPTION	S6108P/QTY.
1	121654-320	PIPE, EXTENSION, 4"	1
2	W120931	30" LONG SINGLE 4" MUFFLER	1
3	120653	OVER AXLE 4" (2PC D407)	1
4	120654	TAIL PIPE ASSEMBLY 4" (2PC D407)	1
5	W134393-01	HANGER ASSY, HANG TIGHT™ 1/2"	1
6	W134392-01	HANGER ASSY, HANG TIGHT™ 1/2"	1
7	4C	CLAMP, 4" SADDLE BARE	1
8	4.0AC	CLAMP, 4" BAND, ALUMINIZED STEEL	3

23-DEC-2020
REV:F

MBRP