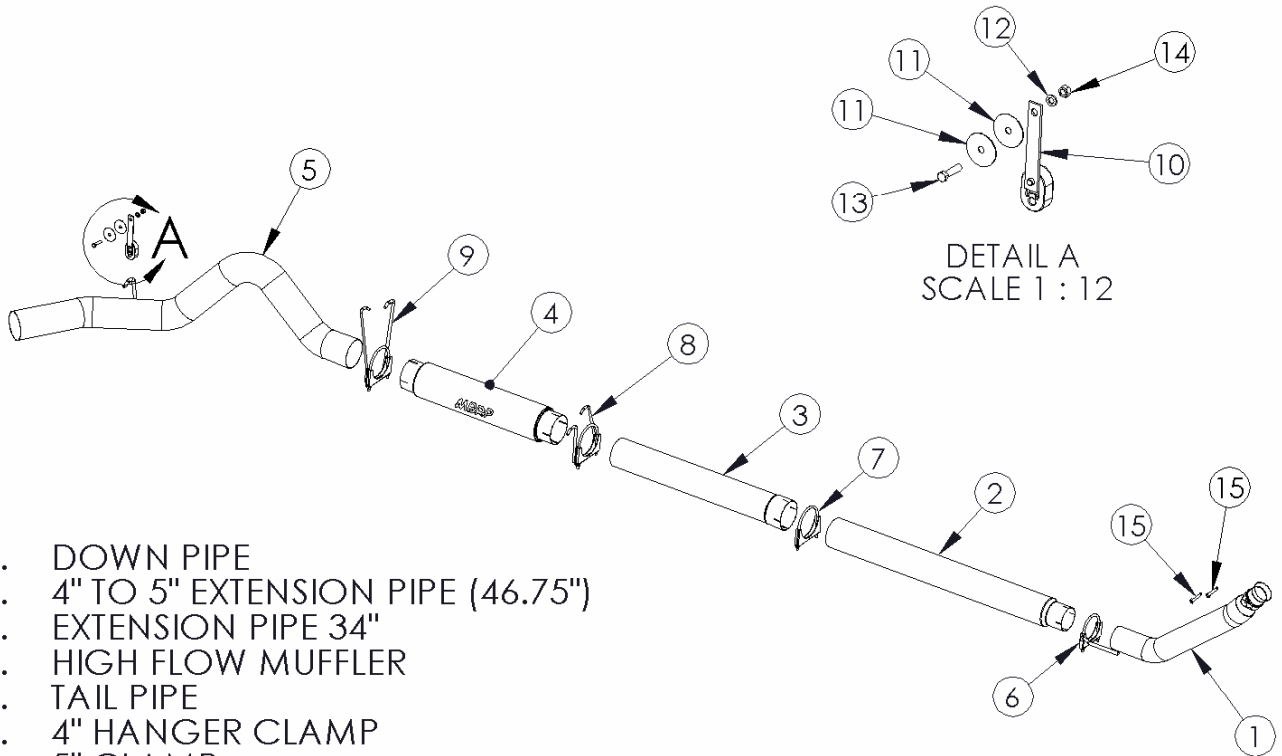


S6112

**94-02 DODGE 5.9L, I-6 TURBO, 2500/3500,
5" TURBO BACK**

MBRP
INC.

PERFORMANCE EXHAUST



1. DOWN PIPE
2. 4" TO 5" EXTENSION PIPE (46.75")
3. EXTENSION PIPE 34"
4. HIGH FLOW MUFFLER
5. TAIL PIPE
6. 4" HANGER CLAMP
7. 5" CLAMP
8. 5" HANGER CLAMP
9. 5" HANGER CLAMP
10. HANGER ASSEMBLY
11. 7/16" FENDER WASHER (2 PCS)
12. 7/16" LOCK WASHER
13. 7/16" X 1 1/2" BOLT
14. 7/16" NUT
15. M10 - 1.5 x 60mm BOLT (2 PCS)

PLEASE READ BEFORE STARTING INSTALATION

While MBRP Inc. has made every effort to ensure that all components of this system are of superior quality and properly packaged it is the installer's responsibility to ensure the following before removal of the factory exhaust:

- that ALL components shown above are present.
- that ALL mating components fit together.
- that there are no damaged components.
- that the system you have purchased is appropriate for your vehicle year, model and configuration.
- that the system will not interfere with any modifications previously installed or planned.
- that you have read and understand these instructions.

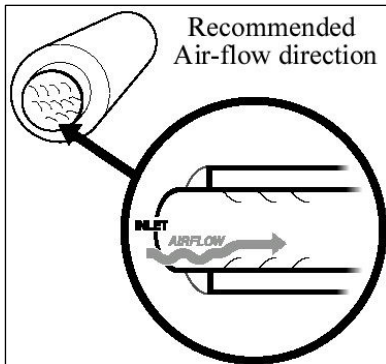
If you have any questions or are uncertain about any aspect of the installation of this system to your vehicle please contact your dealer before commencing installation.

Removal of stock system:

1. Separate the stock exhaust at the slip joint by the muffler. Remove the rear exhaust from the rubber hangers and remove the system from under the truck.
2. Using a 15mm socket or wrench, remove the two (2) bolts at the turbo flange and remove the stock down pipe.
3. Remove the spare tire. You may not be able to reinstall your spare tire after the installation of this exhaust system.

Installation of MBRP Inc. Performance Exhaust:

1. Install the **Down Pipe** in the same position as the stock down pipe and attach the flared end to the turbo using the supplied hardware. Do not fully tighten until all components are in place.
2. Install the **4" to 5" Extension Pipe (46.75")** over the **Down Pipe**. Install the **34" Extension Pipe** onto the **4" to 5" Extension Pipe**. The combination of these two **Extension Pipes** provides the required length to fit a Quad Cab Long Bed truck. These pipes will have to be cut to fit all other vehicles. **Installation Tip:** Temporarily install the **Muffler** and **Tail Pipe** using the factory rubber insulators and the **Hanger Clamp**. Measure from the **Muffler** to the **4-5" Extension Pipe** to determine the length required. Cut the pipe to the required length.



3. Install the **Muffler** over the required pipe so that the exhaust will flow smoothly over the louvers. Refer to the illustration on the left.
4. Install the **Hanger Clamp** into the two OEM rubber hangers located above the outlet of the **Muffler**.
5. Remove the factory rubber insulator for the factory tail pipe. Install the **Tail Pipe** from the rear of the truck, over the axle and attach to the outlet of the **Muffler**. Move the **Tail Pipe** into approximate position. Using the factory hole provided in the frame directly above the tail pipe hanger, attach the hanger provided (**HG002**) using the supplied hardware. Finish hanging the **Tail Pipe**.
6. Install the **Hanger Clamp** into the two OEM rubber hangers located above the outlet of the **Muffler**.
7. Install the provided clamps around pipes where needed. Adjust the **Tail Pipe** and check along the whole length of exhaust system to ensure there is adequate clearance around the fuel and brake lines or any wiring. If any interference is relocate or adjust.
8. Make sure exhaust is in place before tightening clamps. Start at the front of the exhaust system and begin tightening all connections.
9. If a tip has been purchased, install and adjust to suit. Using a 17mm wrench tighten lock bolt located on **Tip**. **The Tip is not included with this kit.** Tips may be purchased separately, check with your dealer.

Congratulations! You are ready to begin enjoying the improved performance and driving experience of your MBRP Inc. performance exhaust system. We hope you enjoy your purchase.