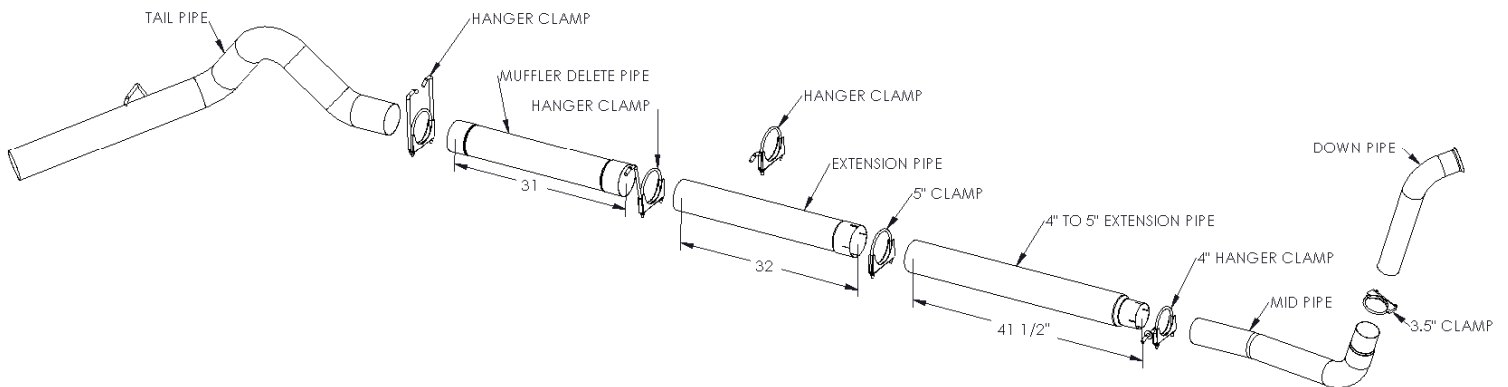


S6224PLM/S6224SLM

03-07 Ford 6.0L, F250/F350, Turbo Back Off-Road



November 3, 2010



PLEASE READ BEFORE STARTING INSTALLATION

MBRP Inc. has made every effort to ensure that all components of this system are of superior quality and properly packaged. It is the installer's responsibility to ensure that all components are present and fit together as shown. Please also ensure that all components are undamaged before removal of the factory exhaust. Finally, check that this system properly matches the make and model of the vehicle and will not interfere with previous or planned modifications.

Removal of Stock System:

1. Loosen the nut on the band clamp located behind the catalytic converter using a 15mm wrench or socket.
2. If a hoist is being used for the installation, the original exhaust system can be removed in one piece by removing the passenger side shock. If a hoist is not being used the tail pipe must be cut behind the muffler to be removed.
3. Remove the muffler and tail pipe from the OEM rubber hangers and separate the stock exhaust at the slip joint located behind the catalytic converter and remove the muffler and tail pipe from under the truck. **Re-install the passenger side shock.**
4. Remove the catalytic converter by removing the two nuts holding the inlet flange together using a 15mm wrench or socket.
5. Remove the down pipe from the turbo by removing the band clamp using an 11mm socket. **Retain the band clamp for the installation of the Down Pipe.** Cut the down pipe in front of the transmission cross member to remove. (**Note:** The stock down pipe can be removed in one piece by removing the transmission cross member. It is recommended that this only be done by qualified, trained professionals using tools and equipment designed to safely carry out this procedure.)

Installation of MBRP Inc. Performance Exhaust:

1. Install the Down Pipe in the same position as the stock down pipe and attach the flared end to the turbo using the stock band clamp. Do not fully tighten until all components are in place.
2. Attach the Mid Pipe to the Down Pipe using the 3 1/2" Clamp and place the hanger into the factory rubber insulator located on the frame.
3. Attach the 4" to 5" Extension Pipe to the Mid Pipe. For Extended Cab Short Bed vehicles this is the only Extension Pipe required. For Crew Cab Long Bed vehicles you will require the full length of both the 32" Extension Pipe and the 4" to 5" Extension Pipe. For Extended Cab Long Bed and Crew Cab Short Bed vehicles the 32" Extension Pipe will have to be cut. For Extended Cab Long Bed vehicles attach the two extension pipes and cut the 32" Extension Pipe to a combined, attached length of 52.5". For Crew Cab Short Bed vehicles attach the two extension pipes and cut the 32" Extension Pipe to a combined, attached length of 51".
4. Install the Muffler Delete Pipe over the Extension Pipe. Install the "T" Hanger Clamp into the two OEM rubber hangers located above the outlet of the Muffler Delete Pipe.
5. Install the Tail Pipe from the rear of the truck, over the axle and attach to the outlet of the Muffler Delete Pipe. Install the tail pipe hanger into the OEM hanger to complete.
6. Install the provided Clamps around the pipes where required. Starting at the front of the exhaust, add and tighten all clamps. Adjust the Tail Pipe and check along the whole length of the exhaust system to ensure that there is adequate clearance around the fuel and brake lines or any wiring. If any interference is detected relocate or adjust.

PLEASE NOTE: This system is designed for off-road use only. If highway operation is intended please consult your local or state authority for more information.

Congratulations! You are ready to begin experiencing the improved performance and driving pleasure of your MBRP Inc. performance exhaust system. We know you will enjoy your purchase.