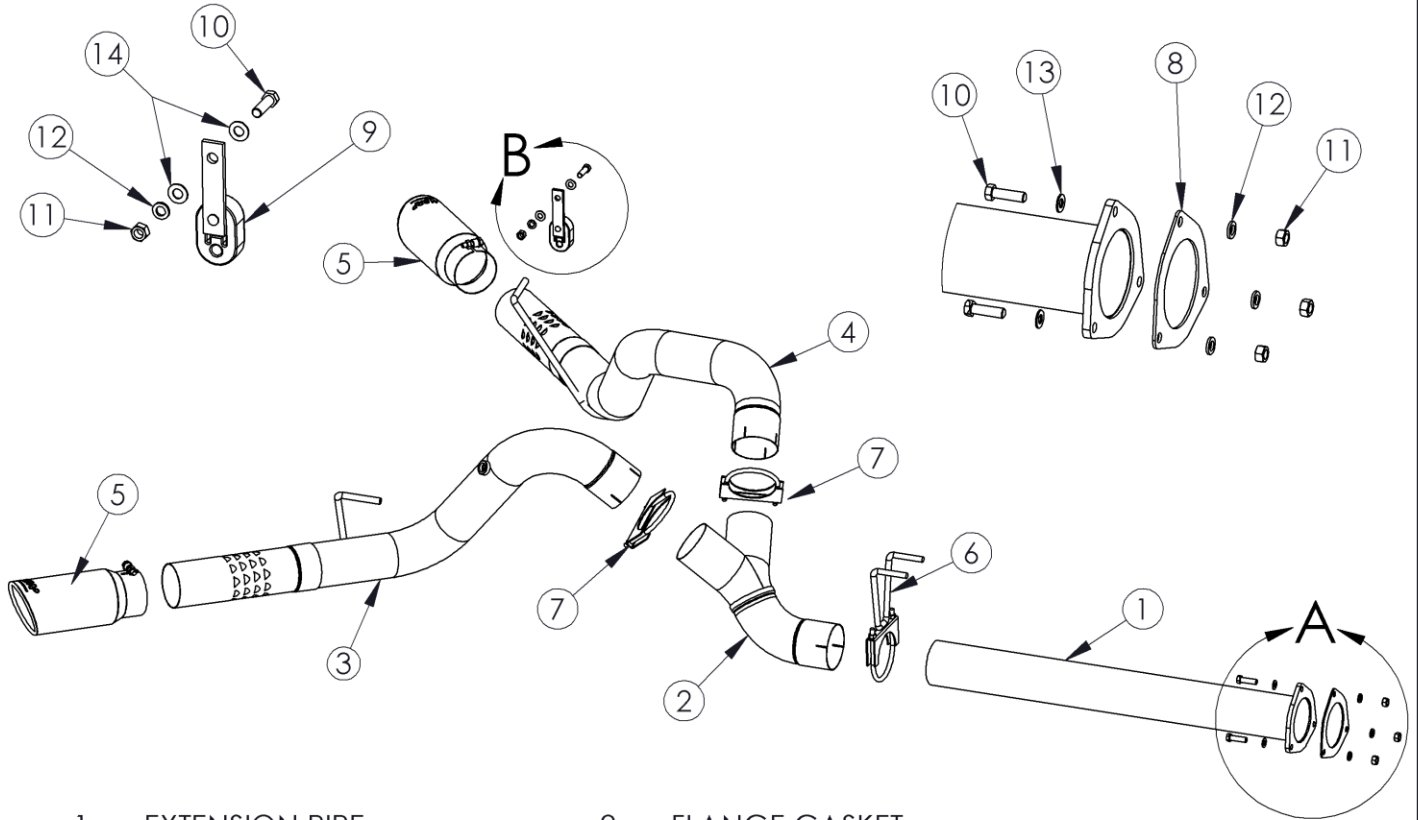


S6251

**2015 FORD F250/F350/F450 6.7L
POWERSTROKE CREWCAB &
SUPERCAB, DPF BACK, 4" COOL DUALS**

MBRP
INC.
PERFORMANCE EXHAUST



- | | |
|-------------------------------|------------------------------|
| 1. EXTENSION PIPE | 8. FLANGE GASKET |
| 2. Y-PIPE | 9. HANGER KIT |
| 3. OVER-AXLE/TAILO PIPE - RHS | 10. 7/16" HEX BOLT (4PCS) |
| 4. OVER-AXLE/TAILO PIPE - LHS | 11. 7/16" HEX NUT (4PCS) |
| 5. EXHAUST TIP (2PCS) | 12. 7/16" LOCK WASHER (4PCS) |
| 6. HANGER CLAMP | 13. 3/8" FLAT WASHER (3PCS) |
| 7. CLAMP (2PCS) | 14. 7/16" FLAT WASHER (2PCS) |

PLEASE READ BEFORE STARTING INSTALLATION

While MBRP Inc. has made every effort to ensure that all components of this system are of superior quality and properly packaged, it is the installer's responsibility to ensure the following before removal of the factory exhaust:

- that ALL components shown above are present.
- that ALL mating components fit together.
- that there are no damaged components.
- that the system you have purchased is appropriate for your vehicle year, model and configuration.
- that the system will not interfere with any modifications previously installed or planned.
- that you have read and understand these instructions.

If you have any questions or are uncertain about any aspect of the installation of this system to your vehicle please contact your dealer before commencing installation.

Removal of Stock System

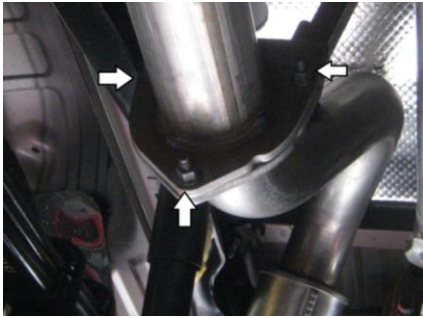


Figure 1

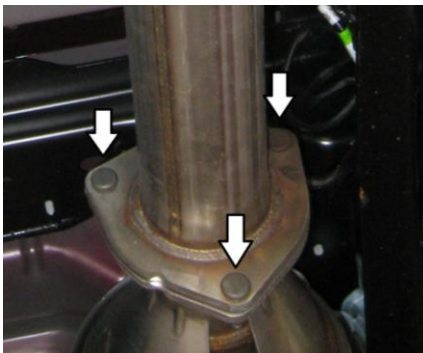


Figure 2



Figure 4

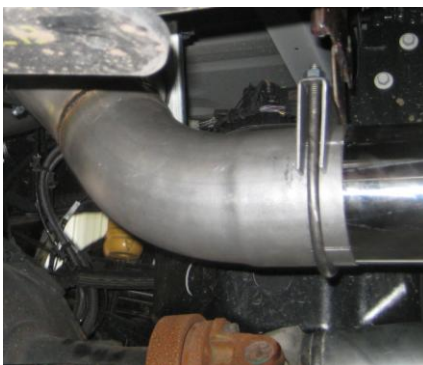


Figure 5

1. Apply some penetrating lubricant to all exhaust fasteners, hangers, and rubber insulators.
2. Loosen the three (3) nuts securing the extension pipe flange to the over-axle pipe. **Refer to Figure 1.**
3. Remove the temperature sensor from the over-axle/tail pipe. Remove the factory over-axle/tail pipe.
4. Loosen the three (3) nuts securing the extension pipe to the flange directly behind the exhaust filter and remove the extension pipe. **Refer to Figure 2.**

Installation of MBRP Inc. Performance Exhaust

1. The **Extension Pipe** is pre-cut for the 172.4" (crew-cab long-box) wheelbase. Cut the **Extension Pipe** to the appropriate length for the installation vehicle. **Refer to Figure 3.**

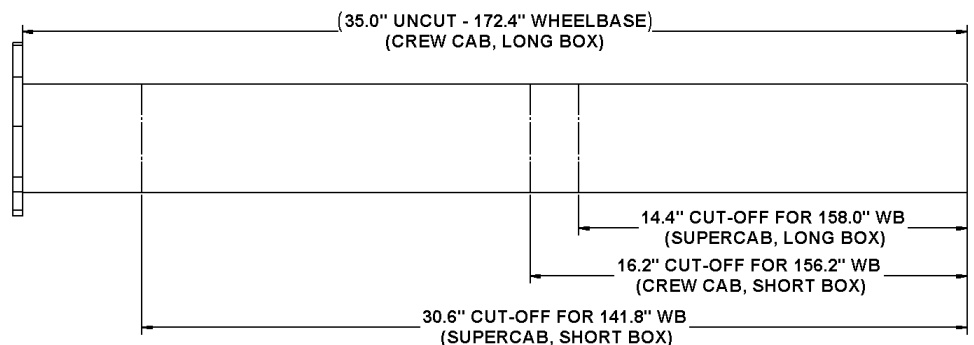


Figure 3

2. Mate the **Extension Pipe** flange to the stock exhaust flange with the **Gasket** between them and fasten the flanges together with the hardware provided. **Refer to Figure 4.**
3. Fit the **Hanger Clamp** loosely over the end of the extension pipe and insert the hangers into the rubber isolators.
4. Install the **Y-Pipe** onto the **Extension Pipe** and secure it by hand tightening the **Hanger Clamp**. **Refer to Figure 5.**
5. Install the **Passenger Side Over-Axle/Tail Pipe** onto the **Y-Pipe**, inserting the hanger into the rearward factory rubber isolator. Rotate the **Y-Pipe** as needed to position the **Over-Axle/Tail Pipe** correctly. Hand-tighten a **4" Clamp** at the connection point.

6. Place the rubber isolator of the **Hanger Kit** onto the hanger on the **Driver Side Over-Axle/Tail Pipe**.



Figure 6

7. Install the **Driver Side Over-Axle/Tail Pipe** to the **Y-Pipe** and fasten the **Hanger Kit** to the vehicle frame using the hardware provided. **Refer to Figures 6 & 7** for the correct mounting hole location. Hand-tighten a **4” Clamp** at the **Y-Pipe** connection point.

8. Install an **Exhaust Tip** on each side using a 17mm wrench. **Refer to Figure 8.**

9. Align the exhaust as required and fully-tighten all clamps.

10. Attach temperature sensor to the bung on the **Passenger Side Over-Axle/Tail Pipe**. **Refer to Figure 9.**

11. Ensure that there is adequate clearance around the spare tire or any fuel and brake lines.

Congratulations! You are ready to begin experiencing the improved power, sound, and driving experience of your MBRP Inc. performance exhaust system. We know you will enjoy your purchase.



Figure 7



Figure 8



Figure 9