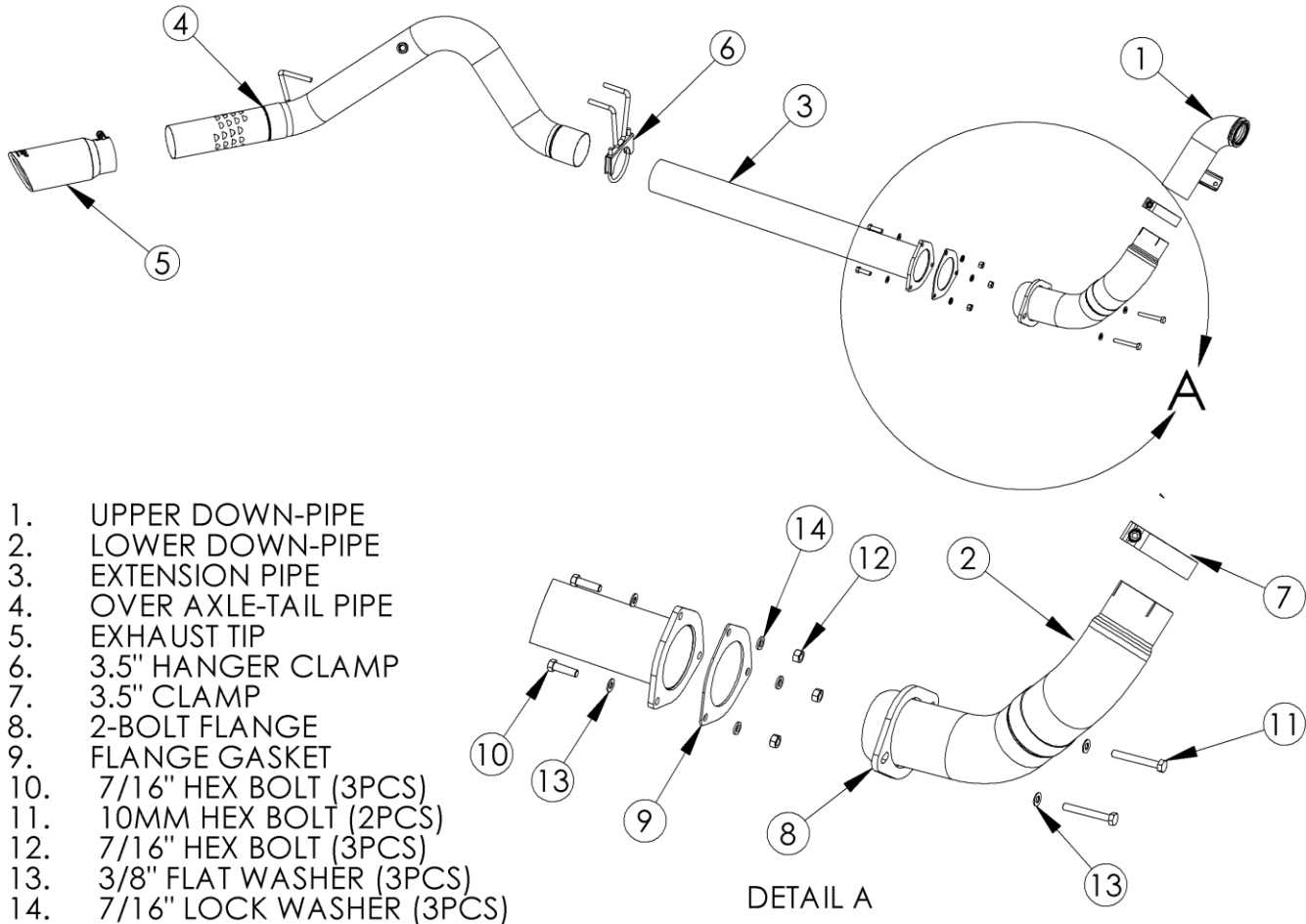


# S6286

2015 FORD F250/F350/F450 6.7L POWERSTROKE  
CREWCAB & SUPERCAB, 4" DPF BACK WITH  
DOWN PIPE

**MBRP**  
INC.  
PERFORMANCE EXHAUST



1. UPPER DOWN-PIPE
2. LOWER DOWN-PIPE
3. EXTENSION PIPE
4. OVER AXLE-TAIL PIPE
5. EXHAUST TIP
6. 3.5" HANGER CLAMP
7. 3.5" CLAMP
8. 2-BOLT FLANGE
9. FLANGE GASKET
10. 7/16" HEX BOLT (3PCS)
11. 10MM HEX BOLT (2PCS)
12. 7/16" HEX BOLT (3PCS)
13. 3/8" FLAT WASHER (3PCS)
14. 7/16" LOCK WASHER (3PCS)

## PLEASE READ BEFORE STARTING INSTALLATION

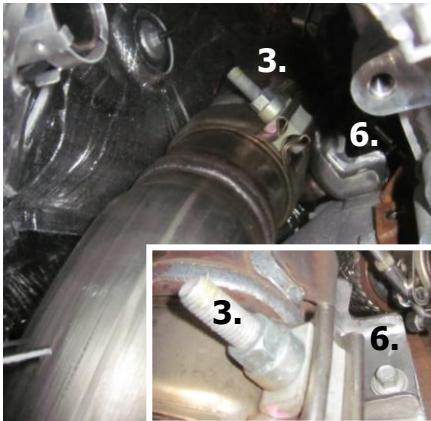
While MBRP Inc. has made every effort to ensure that all components of this system are of superior quality and properly packaged, it is the installer's responsibility to ensure the following before removal of the factory exhaust:

- that ALL components shown above are present.
- that ALL mating components fit together.
- that there are no damaged components.
- that the system you have purchased is appropriate for your vehicle year, model and configuration.
- that the system will not interfere with any modifications previously installed or planned.
- that you have read and understand these instructions.

If you have any questions or are uncertain about any aspect of the installation of this system to your vehicle please contact your dealer before commencing installation.



**Figure 1**



**Figure 2**

### **Removal of Stock Down Pipe:**

1. Remove the front passenger-side wheel and then remove the wheel liner to access the upper half of the stock down pipe.
2. Remove the 2 OEM bolts from the ball flange at the outlet of the down pipe. Use a pry-bar to shift the particulate filter rearward to allow the OEM down pipe to drop down a few inches. **Refer to Figure 1.**
3. Loosen the clamp connecting the upper and lower halves of the stock down pipe. **Refer to Figure 2.**
4. Use a pry-bar to shift the particulate filter rearward to allow the bottom end of the OEM down pipe to drop down and be removed.
5. Loosen the OEM V-band Clamp at the turbo outlet. Once loose, the clamp bolt can be released from the clamp.
6. Remove the bolt securing the bracket at the bottom end of the upper down pipe section. **Refer to Figure 2.** Do not discard the bolt.
7. The upper half of the down pipe can now be removed. If it is stuck in place it may be necessary to use a pry bar and/or an air hammer to loosen it.

### **Installation of MBRP Inc. Down Pipe:**

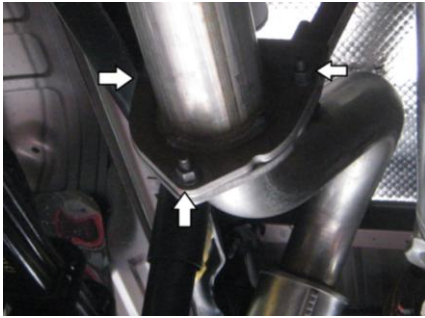


**Figure 3**

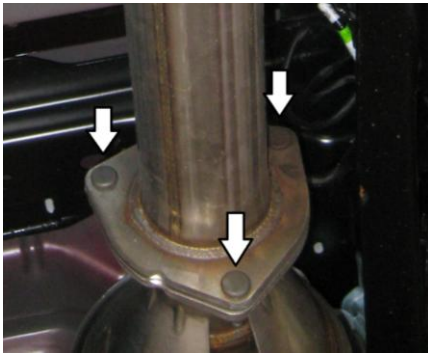


**Figure 4**

1. Install the **Upper Pipe** onto the turbo, reusing the stock V-band clamp. It is helpful to expand the v-band clamp over the outer edge of the **Upper Pipe** flange in order to get it properly in place over the turbo outlet flange and the pipe flange. Once the **Upper Pipe** is in position, loosely install the OEM V-band Clamp, orientating it such that the bolt can be easily tightened.
2. Reinstall the flange bolt through the bracket on the **Upper Pipe**, then fully tighten the V-band clamp and the flange bolt to secure the **Upper Pipe**. **Refer to Figure 3.**
3. Install the **Lower Pipe** by first sliding the supplied **Band Clamp** over the pipe and then sliding it onto the **Upper Pipe**. Do not tighten yet. **Refer to Figure 4.**
4. Using the supplied **Hex Bolts**, loosely secure the 2-bolt down pipe flange to the OEM flange.
5. Ensure that there is enough clearance between the MBRP down pipe assembly and the firewall, transmission cooler lines, and frame. Adjust if necessary. Once clearances have been checked, tighten the remaining clamps and flanges.
6. Replace the wheel liner and the front passenger-side wheel.



**Figure 5**



**Figure 6**



**Figure 8**



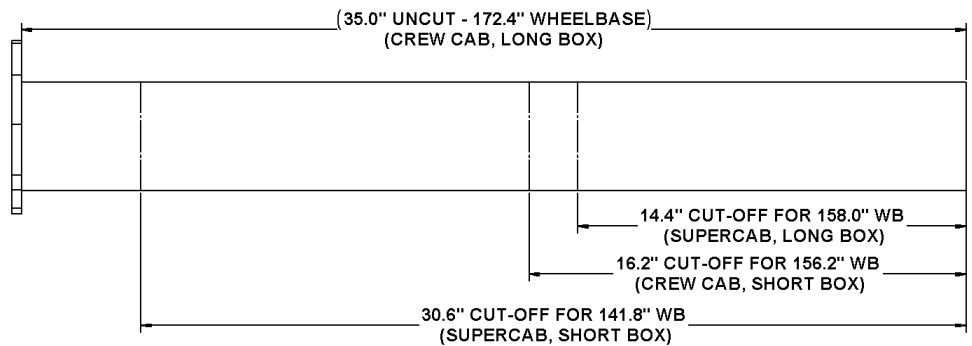
**Figure 9**

### **Removal of Stock Tail Pipe:**

1. Apply some penetrating lubricant to all exhaust fasteners, hangers, and rubber insulators.
2. Loosen the three (3) nuts securing the extension pipe flange to the over-axle pipe. **Refer to Figure 5.**
3. Remove temperature sensor from over-axle/tail pipe. Remove the factory over-axle/tail pipe.
4. Loosen the three (3) nuts securing the extension pipe to the flange directly behind the exhaust filter and remove the extension pipe. **Refer to Figure 6.**

### **Installation of MBRP Inc. Performance Tail Pipe**

1. The **Extension Pipe** is pre-cut for the 172.4" (crew-cab long-box) wheelbase. Cut the **Extension Pipe** to the appropriate length for the installation vehicle. **Refer to Figure 7.**



**Figure 7**

2. Mate the **Extension Pipe** flange to the stock exhaust flange with the **Gasket** between them and fasten the flanges together with the hardware provided. **Refer to Figure 8.**
3. Fit the **Hanger Clamp** loosely over the end of the extension pipe and insert the hangers into the rubber isolators.
4. Install the **Over-Axle/Tail Pipe** onto the **Extension Pipe**, inserting the hanger into the rearward factory rubber isolator. **Refer to Figure 9.**
5. Install the **Exhaust Tip** using a 17mm wrench.



**Figure 6**

6. Align the exhaust as required and tighten the **Hanger Clamp**.
7. Fasten temperature sensor in bung on **Over-Axle/Tail Pipe**.  
**Refer to Figure 6.**
8. Ensure that there is adequate clearance around the spare tire or any fuel and brake lines.

**Congratulations!** You are ready to begin experiencing the improved driving experience of your MBRP Inc. exhaust.