

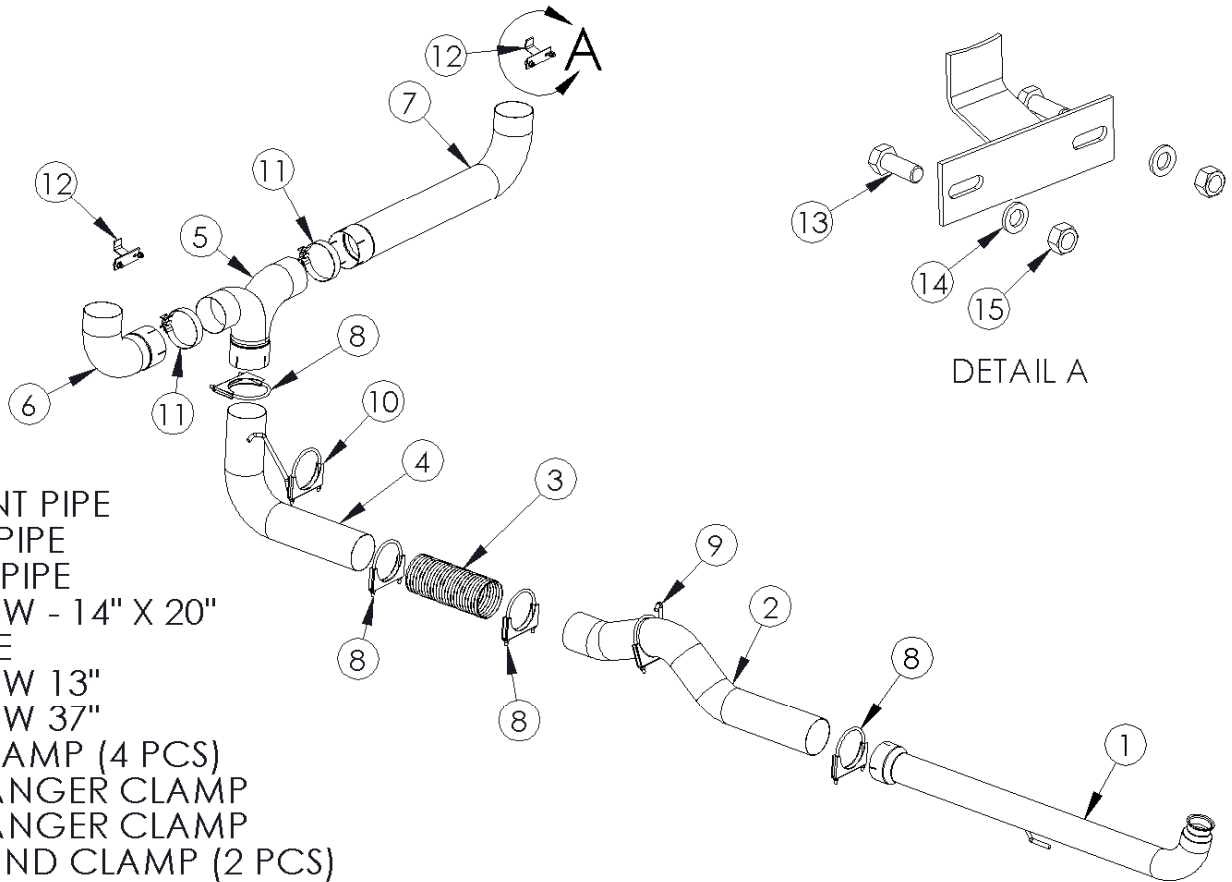
# S8008

'01-'07 CHEVY/GMC DURAMAX, DOWN  
PIPE BACK (INCL. FRONT PIPE) 5"  
SMOKERS™

# MBRP

INC.

PERFORMANCE EXHAUST



1. FRONT PIPE
2. MID PIPE
3. FLEX PIPE
4. ELBOW - 14" X 20"
5. T-PIPE
6. ELBOW 13"
7. ELBOW 37"
8. 5" CLAMP (4 PCS)
9. 5" HANGER CLAMP
10. 5" HANGER CLAMP
11. 5" BAND CLAMP (2 PCS)
12. MOUNTING BRACKET (2PCS)
13. 3/8" HEX BOLT (4PCS)
14. 3/8" LOCK WASHER (4PCS)
15. 3/8" HEX NUT (4PCS)

SMOKER STACKS SOLD SEPERATLY

## PLEASE READ BEFORE STARTING INSTALLATION

While MBRP Inc. has made every effort to ensure that all components of this system are of superior quality and properly packaged it is the installer's responsibility to ensure the following before removal of the factory exhaust:

- that ALL components shown above are present.
- that ALL mating components fit together.
- that there are no damaged components.
- that the system you have purchased is appropriate for your vehicle year, model and configuration.
- that the system will not interfere with any modifications previously installed or planned.
- that you have read and understand these instructions.

If you have any questions or are uncertain about any aspect of the installation of this system to your vehicle please contact your dealer before commencing installation.

## Removal of Stock System:

1. Apply a penetrating lubricant liberally to all exhaust fasteners, hangers and rubber insulators.
2. For 2001-2005 vehicles use a 15mm socket or wrench and disconnect the factory exhaust system at the four bolt flange located behind the Catalytic Converter. If the vehicle is not equipped with a Catalytic Converter disconnect the four bolt flange located approximately under the passenger side seat. For 2006-2007 vehicles loosen the band clamp located behind the Catalytic Converter.



**Figure 1**

3. Remove the exhaust system from the rubber insulators and remove from under the vehicle. If a hoist is not available for use, it may be necessary to cut the tail pipe behind the muffler for removal of the system.
4. Unbolt the OEM hanger for the front pipe from the transmission and remove. **See Figure 1.**
5. Loosen the factory band clamp and remove the stock front pipe. Some vehicles are not equipped with a Catalytic Converter. **Do not discard the band clamp as it is required for the installation.**

## Installation of MBRPinc. "Smokers™"



**Figure 2**

1. Install the **Front Pipe** onto the factory down pipe using the band clamp removed previously. Do not fully tighten to allow for adjustment.
2. Install the OEM hanger removed previously by sliding the outside hole in the rubber insulator over the hanger on the **Front Pipe** and re-connect to the transmission.
3. Connect the **Mid Pipe** to the **Front Pipe** at the slip joint placing the bend around and under the cross member. **See Figure 2.** The **Mid Pipe** does not require cutting to fit Crew Cab trucks. For Extended Cab trucks, approximately 9½" needs to be cut from the end with the longest straight section of pipe.
4. Position the **Mid Pipe** as shown in **Figure 2** and loosely install the **Hanger Clamp** with the shortest hanger. This will support the **Extension Pipe** during the installation of the rear section of the "Smokers™".
5. Loosely assemble the in bed portion of the "T" Pipe assembly. Some models may require trimming of the "T" Pipe in order to accommodate the width of the truck bed and the **Stacks**. Be sure to place the **Band Clamps** over the pieces before they are assembled.



**Figure 3**



**Figure 4**



**Figure 5**



**Figure 6**



**Figure 7**

6. Place the **Stacks** onto the **13"** and **37"** **Elbows** assembled to the **"T" Pipe** and place in the desired position in the truck bed. The **37" Elbow** should be on the driver side so that the **"T" Pipe** passes through the bed floor on the passenger side. See **Figure 3**.

7. Place the **Mounting Brackets** between the **Stacks** and the front of the truck bed so that the **Stacks** are properly spaced from the front of the truck bed. Center the **Mounting Brackets** on the **Stacks** and mark the front of the truck bed in the center of the slotted holes in the **Mounting Brackets**. Center punch the marks and drill holes to accommodate the **3/8" Bolts** included with the **Mounting Kit**. See **Figure 4**.

8. Loosely attach the **Mounting Brackets** to the front of the truck bed using the **3/8"** hardware supplied. Set the **Stacks** up in the bed and loosely attach them to the **Mounting Brackets**. Make sure the **Stacks** are in the desired position and the **"T" Pipe** assembled with the **13"** and **37"** **Elbows** is level.

9. Mark the bed floor where the **"T" Pipe** is resting. MBRP Inc. recommends tracing around where the **"T" Pipe** meets the bed floor. See **Figure 5**. Remove the **Stacks** and **"T" Pipe** assembly from the bed of the truck. Find the center of the circle traced onto the bed floor, mark and center punch it. Go under the vehicle and locate the center punch mark. This marks the location where you are going to cut a hole for the **"T" Pipe** to pass through the bed of the truck. If you cannot find the center punch mark drill a small pilot hole. Make sure that there is clearance for the **20" Elbow** to pass by any frame cross members.

10. Cut a hole through the truck bed providing adequate clearance around the part of the **"T" Pipe** that passes through the truck bed. MBRP Inc. recommends using a **6"** diameter hole saw. It may be required to cut part of a bed rail away. See **Figure 6**.

11. Set the **"T" Pipe**, assembled with the **13"** and **37"** **Elbows** at the desired height from the floor of the bed (This will set the height of the **Stacks**). Using spacers to hold the **"T" Pipe** and both **13"** and **37"** **Elbows** at the desired height, loosely attach the stacks to the **Mounting Brackets** making sure that they are straight. This will hold the assembly steady while you line the system up to the exhaust under the vehicle. See **Figure 7**.





**Figure 8**

12. Measure the vertical distance from the “**T**” **Pipe** slip joint to the **Flex Pipe**. Mark and cut the shorter side of the **20” Elbow** to the required length so that it lines up with the **Flex Pipe**. See **Figure 8**.

13. Loosely install the **20” Elbow** into the “**T**” **Pipe**. Measure and mark the **20” Elbow**, **Extension Pipe** and **Flex Pipe** so that you will end up with the longest section of **Flex Pipe** possible. Cut the pieces to the required lengths.

14. Attach the **20” Elbow** to the “**T**” **Pipe** slip joint and then attach the **Flex Pipe** to both the **20” Elbow** and the **Mid Pipe**. Be sure to slide the required **Clamps** over the **20” Elbow** and **Flex Pipe** before connecting it to the vehicle’s exhaust system.

15. Make sure that the **Mounting Brackets** are centered on the **Stacks** and tighten fasteners holding the **Mounting Brackets** to the front of the truck bed. Tighten all the **Clamps** making sure the “**Smokers™**” remains properly aligned.

16. Install the remaining **Clamps** around pipes where required. Check along the whole length of the exhaust system to ensure that there is adequate clearance around the fuel and brake lines or any wiring. If any interference is detected, relocate or adjust.



**Congratulations!** You are ready to begin experiencing the improved power, sound and driving excitement of your MBRP Inc. performance exhaust system. We know you will enjoy your purchase.