



INSTALLATION INSTRUCTIONS FOR PART 95-3105

APPLICATIONS

SATURN 1995-99 ALL MODELS

95-3105

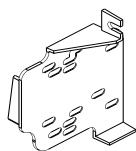


KIT FEATURES

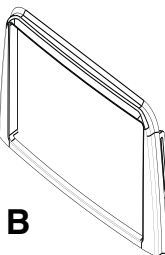
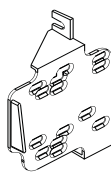
- DDIN Head Unit Provision
- ISO Stacked Head Unit Provision

KIT COMPONENTS

- A) DDIN Brackets B) DDIN Trim Plate



A



B

WIRING AND ANTENNA CONNECTIONS (Sold Separately)

HARNESS:

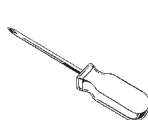
- 70-1858 - GM Harness 1988-2005

ANTENNA ADAPTER:

- 40-GM10 - GM Antenna Adapter 1998-up

TOOLS REQUIRED:

- Phillips Screwdriver
- Panel Removal Tool
- Socket Wrench



METRA. THE WORLD'S BEST KITS.™



1-800-221-0932



www.metraonline.com

© COPYRIGHT 2004 METRA ELECTRONICS CORPORATION

TABLE OF CONTENTS

***Dash Disassembly* 1**

***Kit Assembly* 2**



KNOWLEDGE IS POWER

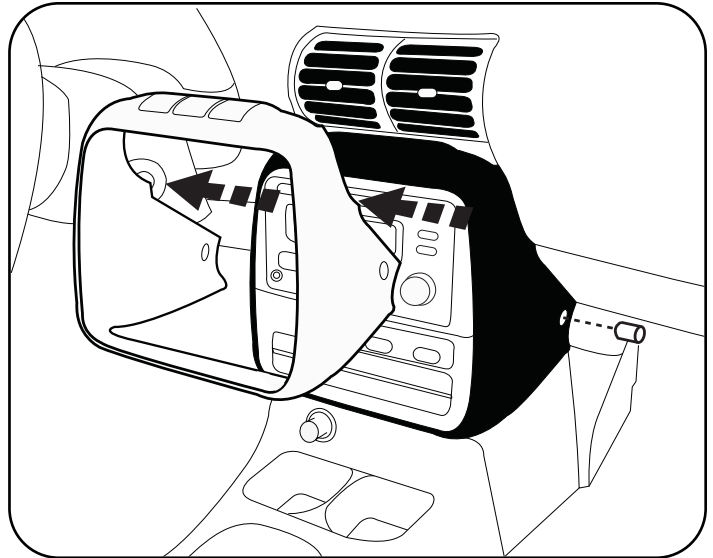
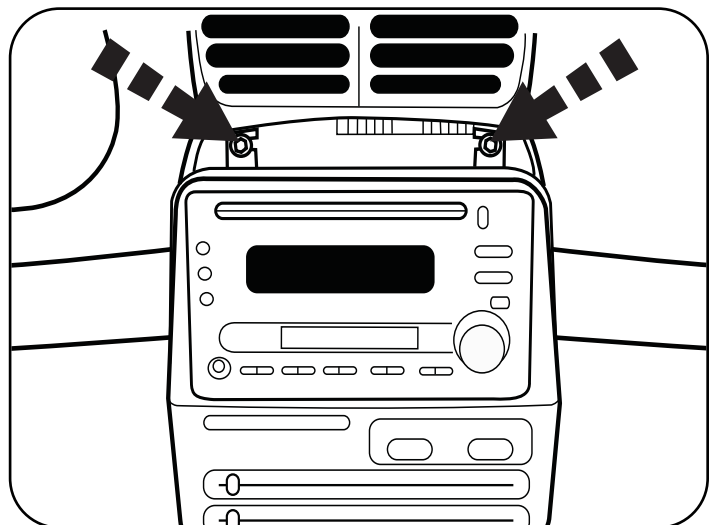
Enhance your installation and fabrication skills by enrolling in the most recognized and respected mobile electronics school in our industry. Log onto www.installerinstitute.com or call 800-354-6782 for more information and take steps toward a better tomorrow.



Metra recommends MECP certified technicians

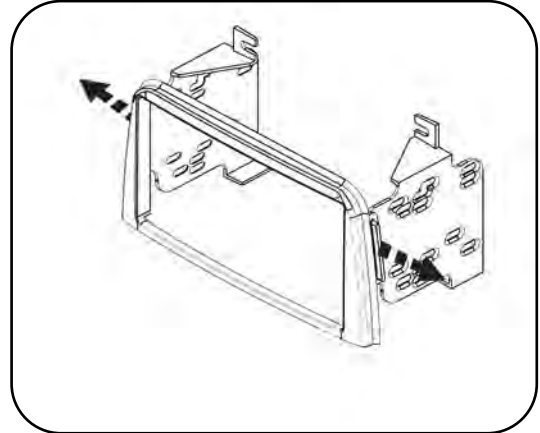
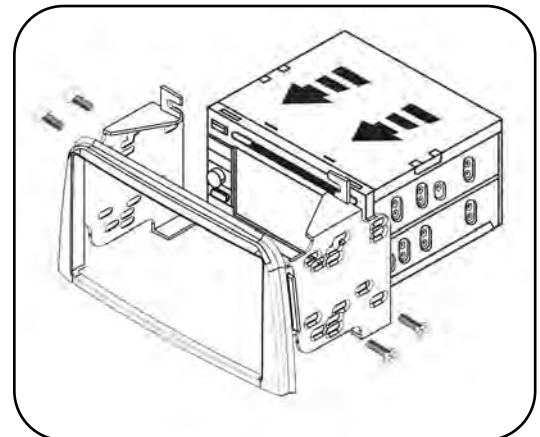
SATURN (ALL MODELS) 1995-99

- 1** Disconnect the negative battery terminal to prevent an accidental short circuit.
- 2** Remove (2) pop-clips from the sides of the radio trim bezel. (Figure A)
- 3** Unclip the radio trim bezel, disconnect the switch wiring and remove the bezel. (Figure A)
- 4** Remove (2) 7mm hex-head screws securing the top of the factory head unit and disconnect the wiring. (Figure B)

A**B**

DOUBLE DIN / STACKED ISO DIN **HEAD UNIT PROVISION**

- 1** Locate the factory wiring harness in the dash. Metra recommends using the proper mating adapter from Metra or AXCESS. Re-connect the negative battery terminal and test the unit for proper operation.
- 2** Attach the Double DIN brackets to the Double DIN trim plate. (Figure A)
- 3** Slide the Double DIN head unit or stacked ISO head units into the bracket/radio housing assembly and secure the Double DIN head unit or stacked ISO head units to the assembly using the screws supplied with the radio. (Figure B)
- 4** Reassemble dash in reverse order of disassembly.

A**B**

95-3105 INSTRUCTIONS

METRA. THE WORLD'S BEST KITS.™



1-800-221-0932



www.metraonline.com

REV. 11/25/09

© COPYRIGHT 2004 METRA ELECTRONICS CORPORATION

INST95-3105