



## INSTALLATION INSTRUCTIONS FOR PART 95-5000

### APPLICATIONS

## LINCOLN LS 2000-2006 FORD Thunderbird 2002-2005

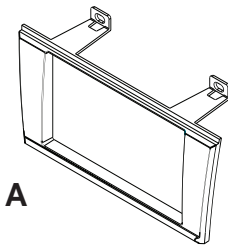
# 95-5000B 95-5000S

### KIT FEATURES

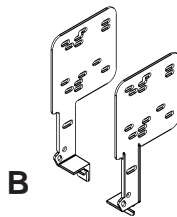
- Double DIN Radio Provision
- Stacked ISO Mount Units Provision
- Painted To Match Factory Dash:  
95-5000B = BLACK  
95-5000S = SILVER

### KIT COMPONENTS

- A) Radio Housing • B) Radio Housing Brackets



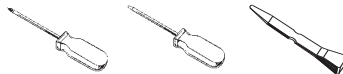
A



B

### TOOLS REQUIRED:

- Phillips Screwdriver
- Small Flat Blade Screwdriver/ Panel Removal Tool



1-800-221-0932



[www.metraonline.com](http://www.metraonline.com)

© COPYRIGHT 2008 METRA ELECTRONICS CORPORATION



**TABLE OF CONTENTS**

**Dash Disassembly**

- LINCOLN LS 2000-2006/LINCOLN Thunderbird 2002-2005 ..... 1,2

**Kit Assembly**

- Double DIN Radio Provision/Stacked ISO Mount Units Provision ..... 3

**Final Assembly** ..... 4

**\*Note:**

**Refer also to the instructions included with the aftermarket radio.**



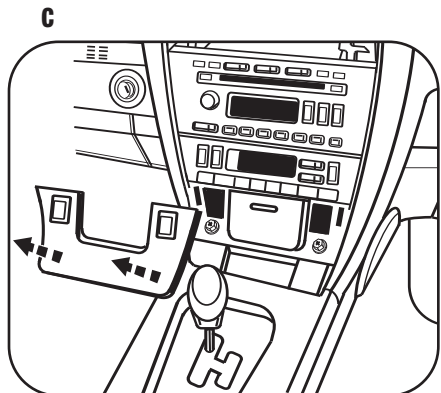
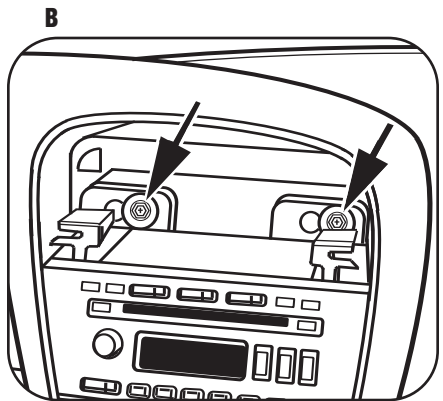
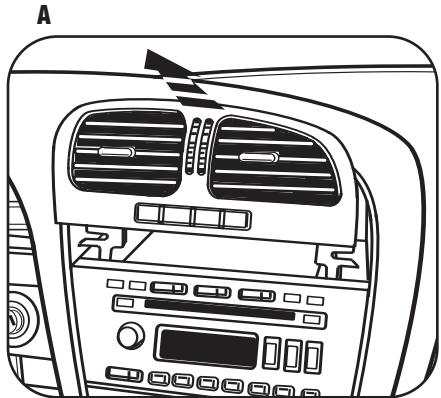
**KNOWLEDGE IS POWER**

Enhance your installation and fabrication skills by enrolling in the most recognized and respected mobile electronics school in our industry. Log onto [www.installerinstitute.com](http://www.installerinstitute.com) or call 800-354-6782 for more information and take steps toward a better tomorrow.

**LINCOLN LS 2000-2006  
FORD THUNDERBIRD 2002-2005**

- 1 Disconnect the negative battery terminal to prevent an accidental short circuit.
- 2 Unclip and remove the A/C vent panel. (Figure A)
- 3 Remove (2) 10 MM bolts exposed behind vent panel from top of radio brackets. (Figure B)
- 4 Unclip and remove the panel surrounding the ashtray. (Figure C)

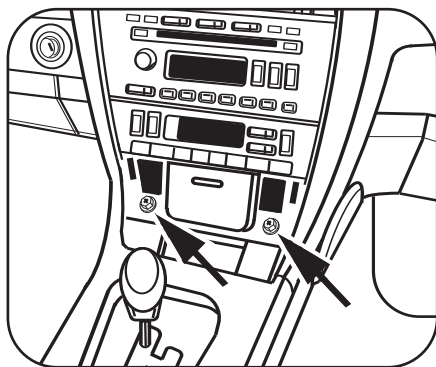
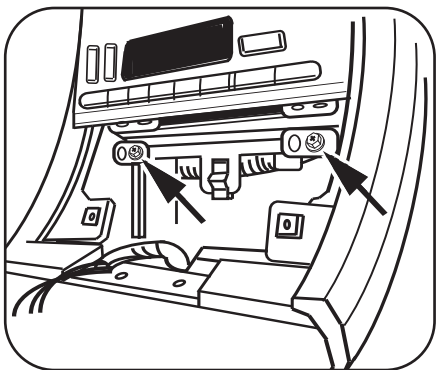
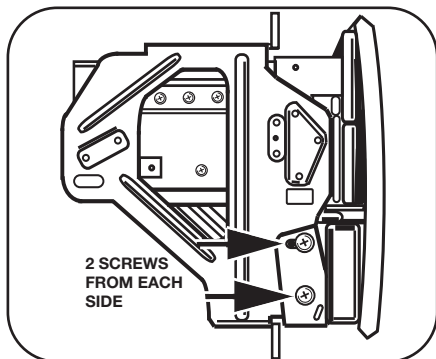
*Continued on page 2.*



**LINCOLN LS 2000-2006  
FORD THUNDERBIRD 2002-2005**

- 5 Remove (2) Phillips screws exposed behind panel then remove the ashtray assembly. (Figure D)
- 6 Remove (2) 10 MM bolts from inside ashtray cavity from bottom of radio brackets. (Figure E)
- 7 Unplug and remove radio/climate control assembly from dash then remove (4) Phillips screws securing the climate controls to the assembly. (Retain the (4) Phillips screws and climate controls for re-installation) (Figure F)

*Continue to kit assembly.*

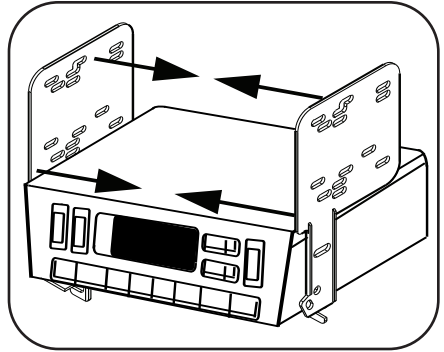
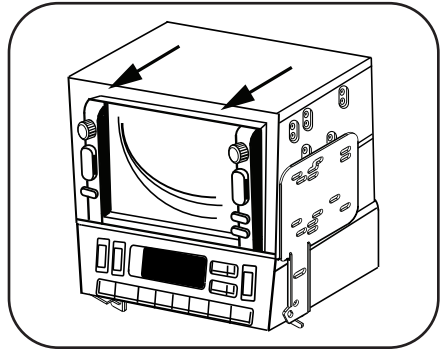
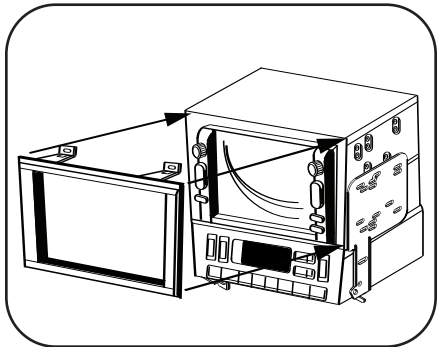
**D****E****F**

**DOUBLE DIN/STACKED ISO MOUNT UNITS PROVISION**

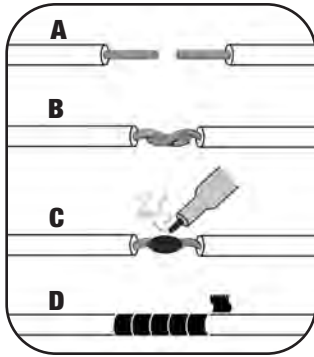
*\*Note: Refer also to the instructions included with the aftermarket radio.*

- 1 Mount the climate control into the radio housing brackets. (Figure A)
- 2 Mount the Double DIN/ Stacked ISO mount unit(s) into the radio housing bracket/climate control assembly using screws supplied with the unit(s). (Figure B)
- 3 Attach the radio housing to the radio/climate control assembly. (Figure C)

*Continue to final assembly.*

**A****B****C**

# FINAL ASSEMBLY



- (A) Strip wire ends back 1/2"**
- (B) Twist ends together**
- (C) Solder**
- (D) Tape**

- 1** Locate the factory wiring harness in the dash. Metra recommends using the proper mating adapter and making connections as shown. (Isolate and individually tape off the ends of any unused wires to prevent electrical short circuit.)
- 2** Re-connect the negative battery terminal and test the unit for proper operation.
- 3** Reassemble radio and dash assemblies in reverse order of disassembly.

## FINAL WIRING CONNECTIONS

Make wiring connections using the EIA color code chart shown below and the instructions included with the head unit. Metra recommends making connections as shown below; Strip, Splice, Solder, Tape. Isolate and individually tape off ends of any unused wires to prevent electrical short circuit.

### METRA / EIA WIRING CODE

12V Ignition / Acc. . . . .	Red	Right Front (+) . . . . .	Gray
12V Batt / Memory. . . . .	Yellow	Right Front (-). . . . .	Gray/ Black
Ground. . . . .	Black*	Left Front (+) . . . . .	White
Power Antenna. . . . .	Blue	Left Front (-). . . . .	White / Black
Amp Turn-On . . . . .	Blue / White	Right Rear (+) . . . . .	Violet
Amp Ground. . . . .	Black / White	Right Rear (-). . . . .	Violet / Black
Illumination . . . . .	Orange	Left Rear (+) . . . . .	Green
Dimmer . . . . .	Orange / White	Left Rear (-). . . . .	Green / Black

**\*NOTE:** When a Black wire is not present, ground radio to vehicle chassis.  
All colors may not be present on all leads due to manufacturer's specifications.

**Enjoy your newly installed radio!**



# 95-5000 INSTRUCTIONS



1-800-221-0932



[www.metraonline.com](http://www.metraonline.com)

REV. 12/16/08 © COPYRIGHT 2008 METRA ELECTRONICS CORPORATION INST95-5000