



INSTALLATION INSTRUCTIONS FOR PART 95-5025

APPLICATIONS

FORD Mustang 1987-1993

95-5025

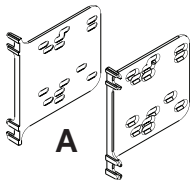
KIT FEATURES

- Double DIN Head Unit Provision
- ISO Stacked Head Unit Provision

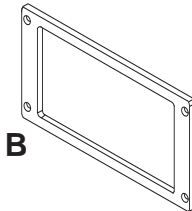


KIT COMPONENTS

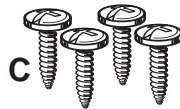
A) Double DIN Brackets • B) Double DIN Trim plate • C) (4) # 8 X 1" Phillips Screws



A



B



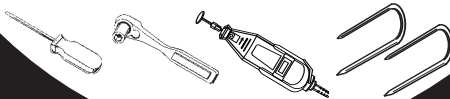
C

WIRING AND ANTENNA CONNECTIONS (Sold Separately)

- 70-1770 - Ford harness - 1985-2004

TOOLS REQUIRED:

- Phillips Screwdriver • Socket Wrench • Rotary Cutting Tool
- Radio Removal Tools (Part # 86-5618)



1-800-221-0932



www.metraonline.com

© COPYRIGHT 2009 METRA ELECTRONICS CORPORATION

TABLE OF CONTENTS

Dash Disassembly

- ***Ford Mustang 1987-1993*** 1

Kit Assembly

- ***Double DIN Head Unit Provision*** 2

- ***ISO Stacked Head Unit Provision*** 2

***Note:**

Refer also to the instructions included with the aftermarket radio.

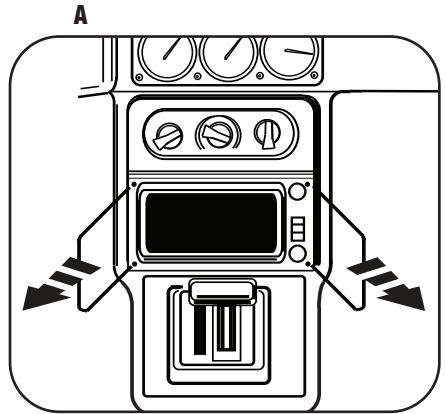


KNOWLEDGE IS POWER

Enhance your installation and fabrication skills by enrolling in the most recognized and respected mobile electronics school in our industry. Log onto www.installerinstitute.com or call 800-354-6782 for more information and take steps toward a better tomorrow.

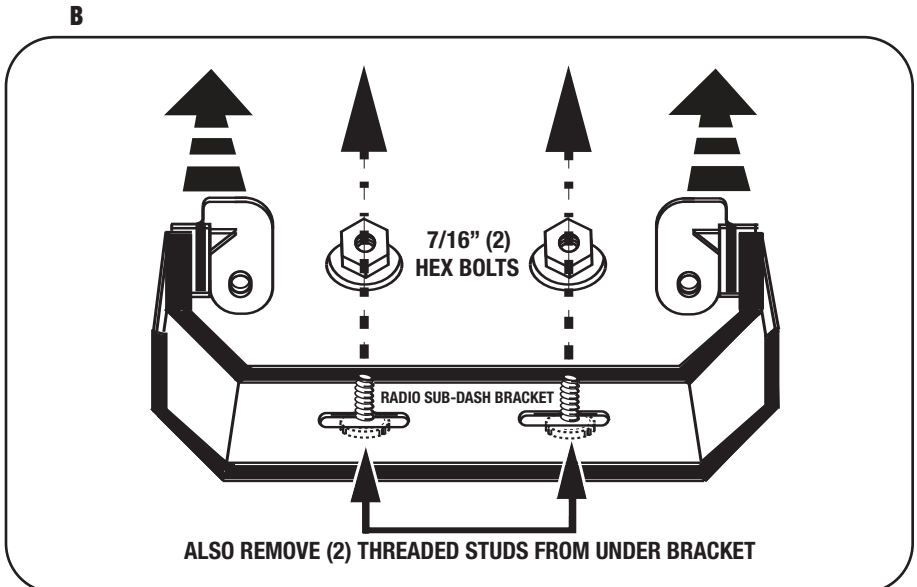
FORD MUSTANG 1987-1993

- 1 Disconnect the negative battery terminal to prevent an accidental short circuit.
- 2 Using *Metra's 86-5618*, pull the factory head unit from the dash and disconnect the wiring. (Figure A)



- 3 Remove two 7/16" hex bolts from inside the dash cavity and remove the radio sub-dash bracket. (***See recommended tool list on front cover***)
Note: The threaded studs from under this bracket will also need to be removed for the aftermarket Double DIN radio to clear. (Figure B)

Continue to kit assembly.



**DOUBLE DIN HEAD UNIT PROVISION/
ISO STACKED HEAD UNIT PROVISION**

- 1 Locate the factory wiring harness in the dash. Metra recommends using the proper mating adapter from Metra or AXCESS. Re-connect the negative battery terminal and test the unit for proper operation.
- 2 Attach the Double DIN brackets to the Double DIN radio or stacked ISO head units using the screws supplied with the radio. (Figure A)
- 3 Mount the head unit/ kit assembly to the dash using the four supplied # 8 x 1" Phillips screws. (Figure B)

