



## INSTALLATION INSTRUCTIONS FOR PART 95-5806

### APPLICATIONS

**2000-2004 FORD FOCUS**  
**1999-2002 MERCURY COUGAR**

# 95-5806

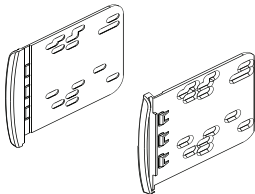
#### KIT FEATURES

- DDIN Head Unit Provision
- ISO Stacked Head Unit Provision



#### KIT COMPONENTS

A) DDIN Brackets



A

#### WIRING AND ANTENNA CONNECTIONS (Sold Separately)

##### Wiring Harness:

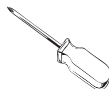
- 70-1770 - Ford Harness 1985-2004
- 70-1784 - VW/Audi 1980-Up

##### Antenna Adapter:

- 40-VW10 - VW/Audi Antenna Adapter 1998-Up

#### TOOLS REQUIRED:

- Socket Wrench
- 86-5618 Head Unit Removal Keys
- Phillips Screwdriver



METRA. THE WORLD'S BEST KITS.™



1-800-221-0932



www.metraonline.com

© COPYRIGHT 2007-2009 METRA ELECTRONICS CORPORATION



**TABLE OF CONTENTS**

**Dash Disassembly**

**- 2000-2004 Ford Focus ..... 1**

**- 1999-2002 Mercury Cougar..... 1**

**Kit Assembly**

**- Double DIN / Stacked ISO DIN Head Unit Provision..... 2**

**\*Note:**

**Refer also to the instructions included with the aftermarket radio.**



**KNOWLEDGE IS POWER**

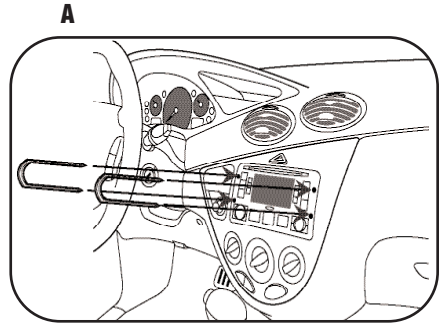
Enhance your installation and fabrication skills by enrolling in the most recognized and respected mobile electronics school in our industry. Log onto [www.installerinstitute.com](http://www.installerinstitute.com) or call 800-354-6782 for more information and take steps toward a better tomorrow.



Metra recommends MECP certified technicians.

**2000-2004 FORD FOCUS**  
**1999-2002 MERCURY COUGAR**

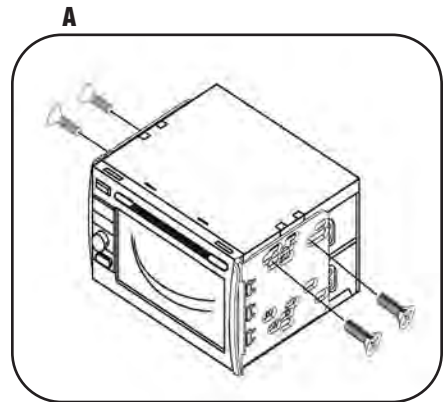
- 1** Disconnect the negative battery terminal to prevent an accidental short circuit.
- 2** Using Metra's 86-5618, pull the factory head unit from the dash and disconnect the wiring.



**2000-2004 FORD FOCUS**  
**1999-2002 MERCURY COUGAR**

**DOUBLE DIN / STACKED ISO DIN HEAD UNIT**  
**PROVISIONS**

- 1** Locate the factory wiring harness in the dash. Metra recommends using the proper mating adapter from Metra or AXCESS. Re-connect the negative battery terminal and test the unit for proper operation.
- 2** Attach the Double DIN brackets to the Double DIN head unit or stacked ISO head unit using the screws supplied with the radio.  
(Figure A)
- 3** Insert radio and kit into dash and snap assembly into the dash





**NOTES**

---

---

---

---

---

---

---

---

---

---



**95-5806**

**NOTES**

---

---

---

---

---

---

---

---

---

---

---



95-5806

## NOTES

---

---

---

---

---

---

---

---

---

---

# 95-5806 INSTRUCTIONS

METRA. THE WORLD'S BEST KITS.™



1-800-221-0932



[www.metraonline.com](http://www.metraonline.com)

REV. 12/23/09 © COPYRIGHT 2003-2009 METRA ELECTRONICS CORPORATION INST95-5806