



INSTALLATION INSTRUCTIONS FOR PART 95-5810

APPLICATIONS

LINCOLN Town Car 2003-2009

95-5810

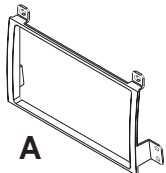
KIT FEATURES

- Double DIN Radio Provision
- Stacked ISO Mount Units Provision

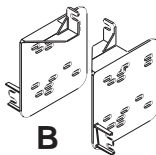


KIT COMPONENTS

- A) Double DIN Trim Plate B) Double DIN Brackets



A



B

WIRING AND ANTENNA CONNECTIONS (Sold Separately)

Harness:

- 70-5520 - Ford harness 2003-up
- 70-5521 - Ford amp harness 2003-up

Antenna Adapter:

- Not required

TOOLS REQUIRED:

- Small Flat Blade Screwdriver/ Panel Removal Tool
- Socket Set



1-800-221-0932



www.metraonline.com

© COPYRIGHT 2007-2009

METRA ELECTRONICS CORPORATION

TABLE OF CONTENTS

Dash Disassembly

- LINCOLN Town Car 2003-2009 1

Kit Assembly

- Double DIN Radio Provision 2

- Stacked ISO Mount Units Provision 3

Final Assembly 4

***Note:**

Refer also to the instructions included with the aftermarket radio.

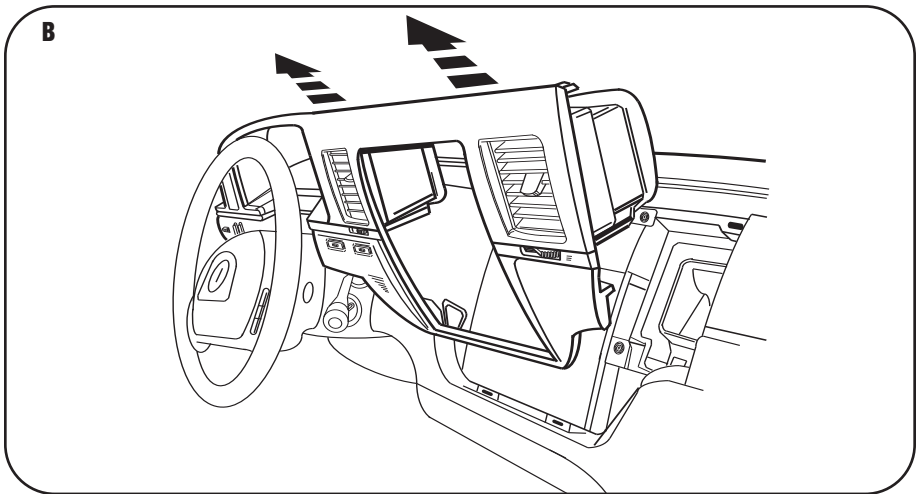
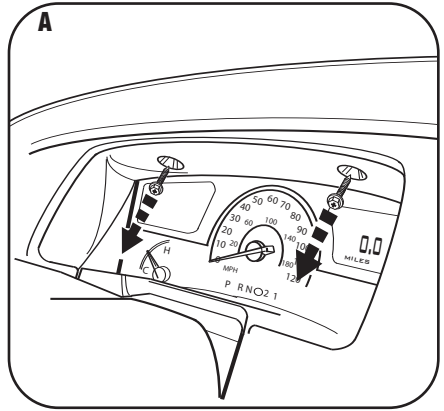


KNOWLEDGE IS POWER

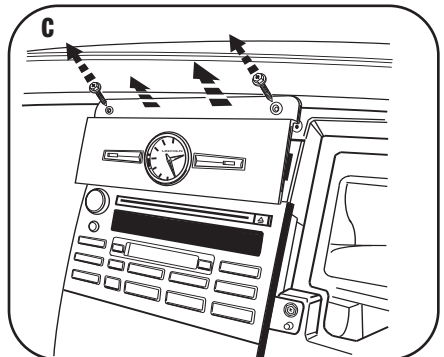
Enhance your installation and fabrication skills by enrolling in the most recognized and respected mobile electronics school in our industry. Log onto www.installerinstitute.com or call 800-354-6782 for more information and take steps toward a better tomorrow.

LINCOLN TOWN CAR 2003-2009

- 1 Disconnect the negative battery terminal to prevent an accidental short circuit.
- 2 Remove (2) 7mm bolts facing upward above instrument cluster/gauges. (Figure A)
- 3 Carefully unsnap and remove dash panel surrounding radio and instrument cluster/gauges. (Figure B)



- 4 Remove (2) 7mm bolts above clock panel and remove panel). (Figure C)
 - 5 Remove (4) 7mm bolts securing radio.
- Continue to kit assembly.*

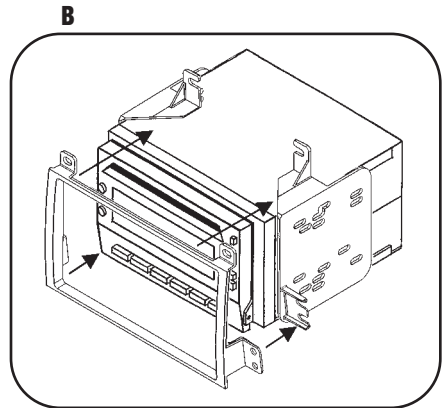
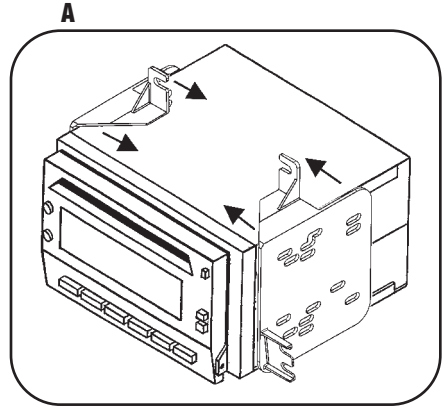


DOUBLE DIN RADIO PROVISION

**Note: Refer also to the instructions included with the aftermarket radio.*

- 1 Attach the Double DIN brackets to the aftermarket radio using the screws supplied with the radio. (Figure A)
- 2 Place the Double DIN trim plate over the radio face then secure the entire assembly into the sub dash. (Figure B)

Continue to final assembly.

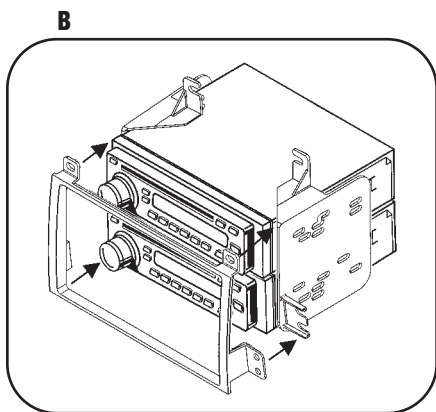
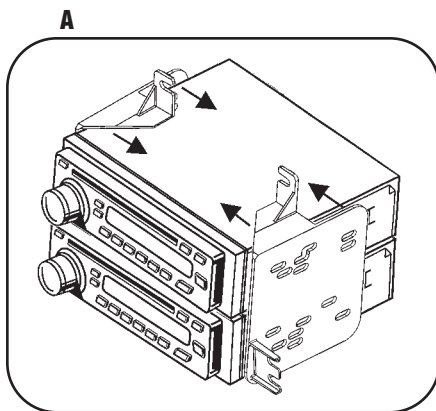


STACKED ISO MOUNT UNITS PROVISION

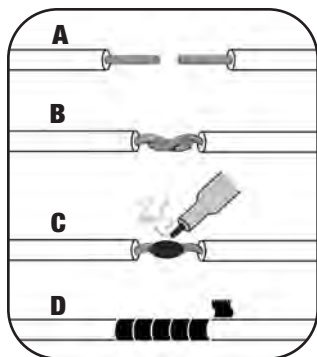
**Note: Refer also to the instructions included with the aftermarket radio.*

- 1 Attach the Double DIN brackets to the aftermarket units using the screws supplied with the units. (Figure A)
- 2 Place the Double DIN trim plate over the unit faces then secure the entire assembly into the sub dash. (Figure B)

Continue to final assembly.



FINAL ASSEMBLY



(A) Strip wire ends back 1/2"

(B) Twist ends together

(C) Solder

(D) Tape

- 1 Locate the factory wiring harness in the dash. Metra recommends using the proper mating adapter and making connections as shown. (Isolate and individually tape off the ends of any unused wires to prevent electrical short circuit.)
- 2 Re-connect the negative battery terminal and test the unit for proper operation.
- 3 Reassemble radio and dash assemblies in reverse order of disassembly.

FINAL WIRING CONNECTIONS

Make wiring connections using the EIA color code chart shown below and the instructions included with the head unit. Metra recommends making connections as shown below; Strip, Splice, Solder, Tape. Isolate and individually tape off ends of any unused wires to prevent electrical short circuit.

METRA / EIA WIRING CODE

12V Ignition / Acc. Red	Right Front (+) Gray
12V Batt / Memory Yellow	Right Front (-) Gray / Black
Ground Black*	Left Front (+) White
Power Antenna Blue	Left Front (-) White / Black
Amp Turn-On Blue / White	Right Rear (+) Violet
Amp Ground Black / White	Right Rear (-) Violet / Black
Illumination Orange	Left Rear (+) Green
Dimmer Orange / White	Left Rear (-) Green / Black

***NOTE:** When a Black wire is not present, ground radio to vehicle chassis.

All colors may not be present on all leads due to manufacturer's specifications.

95-5810 INSTRUCTIONS



1-800-221-0932



www.metraonline.com

REV. 05/28/09 © COPYRIGHT 2007-2009 METRA ELECTRONICS CORPORATION INST95-5810