



INSTALLATION INSTRUCTIONS FOR PART 95-7318

APPLICATIONS

2005-2006 Kia Spectra 5

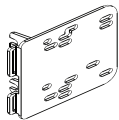
95-7318

KIT FEATURES

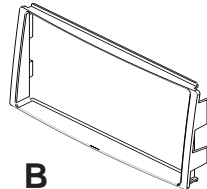
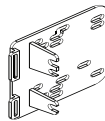
- DDIN Head Unit Provision
- ISO Stacked Head Unit Provision

KIT COMPONENTS

A) DDIN Brackets B) DDIN Trim Plate



A



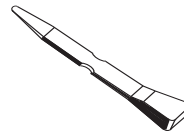
B

WIRING AND ANTENNA CONNECTIONS (Sold Separately)

- 70-7301 - 1999-up Kia / Hyundai harness

TOOLS REQUIRED:

Phillips Screwdriver • Small Flat Blade Screwdriver • Panel Removal Tool



METRA. THE WORLD'S BEST KITS.™



1-800-221-0932



www.metraonline.com

© COPYRIGHT 2004-09 METRA ELECTRONICS CORPORATION

TABLE OF CONTENTS

***Dash Disassembly* 1**

***Kit Assembly* 2**

Note:

Refer also to the instructions included with the aftermarket radio.



KNOWLEDGE IS POWER

Enhance your installation and fabrication skills by enrolling in the most recognized and respected mobile electronics school in our industry. Log onto www.installerinstitute.com or call 800-354-6782 for more information and take steps toward a better tomorrow.



Metra recommends MECP certified technicians

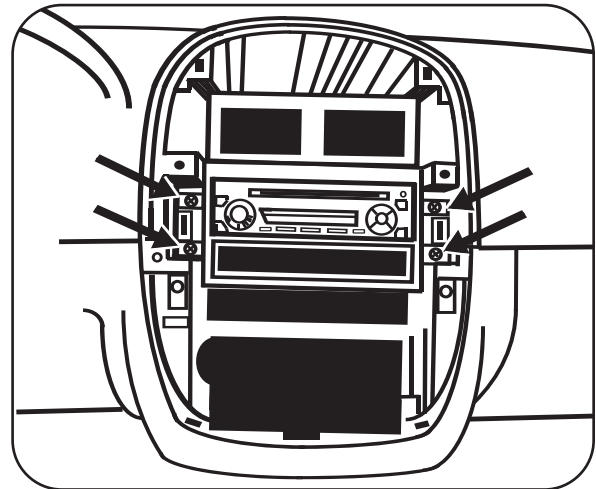
2005-2006 KIA SPECTRA 5

- 1** Disconnect the negative battery terminal to prevent an accidental short circuit.
- 2** Unclip and remove entire panel surrounding radio and including A/C controls. (Figure A)
- 3** Remove (4) Phillips screws to extract radio from dash. (Figure B)

A

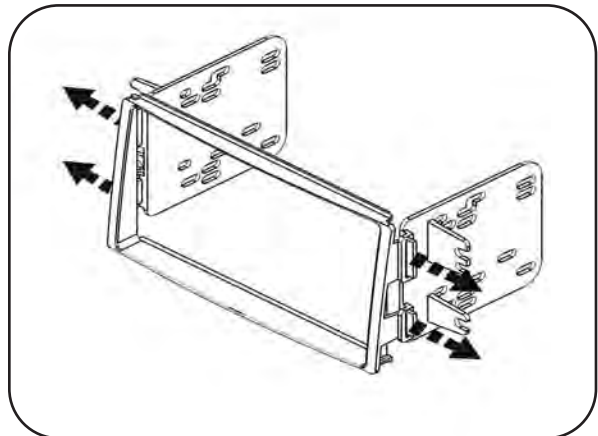
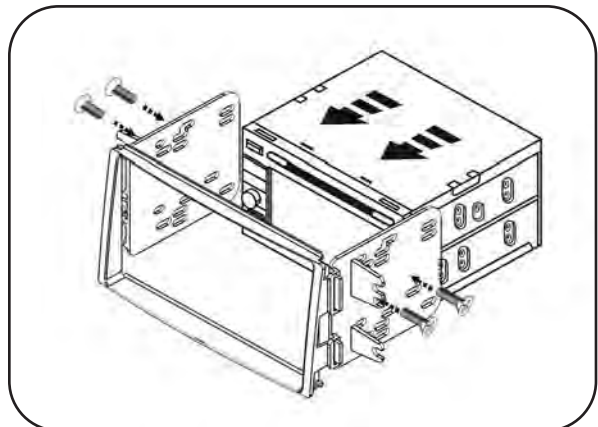


B



2005-2006 KIA SPECTRA 5 **DOUBLE DIN / STACKED ISO DIN HEAD UNIT** **PROVISION**

- 1** Locate the factory wiring harness in the dash. Metra recommends using the proper mating adapter from Metra or AXXESS. Re-connect the negative battery terminal and test the unit for proper operation.
- 2** Attach the Double DIN brackets to the inside edge of the Double DIN trim plate. (Figure A)
- 3** Slide the Double DIN head unit or stacked ISO head units into the bracket/radio housing assembly and secure the Double DIN head unit or stacked ISO head units to the assembly using the screws supplied with the radio. (Figure B)
- 4** Reassemble dash in reverse order of disassembly.

A**B**

95-7318 INSTRUCTIONS

METRA. THE WORLD'S BEST KITS.™



1-800-221-0932



www.metraonline.com

REV. 11/17/09

© COPYRIGHT 2004-07 METRA ELECTRONICS CORPORATION

INST95-7318