



INSTALLATION INSTRUCTIONS FOR PART 95-7321

APPLICATIONS

Hyundai Accent 2006-2009
Kia Rio 2006-2009
Kia Sportage 2005-2009

95-7321

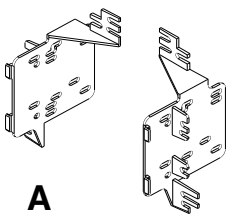


KIT FEATURES

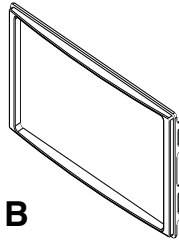
- DDIN Head Unit Provision
- ISO Stacked Head Unit Provision

KIT COMPONENTS

A) DDIN Brackets B) DDIN Trim Plate



A



B

WIRING AND ANTENNA CONNECTIONS (Sold Separately)

HARNESS:

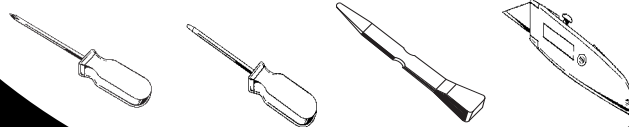
- 70-7303 - Hyundai / Kia Harness 2009
- 70-1004 - Hyundai 2006-up/KIA harness 2004-up

ANTENNA ADAPTER:

- 40-K11 - KIA antenna adapter 2007-up
- 40-K10 - KIA antenna adapter 2007-up

TOOLS REQUIRED:

Phillips Screwdriver • Small Flat Blade Screwdriver • Panel Removal Tool • Cutting Tool



METRA. THE WORLD'S BEST KITS.™



1-800-221-0932



www.metraonline.com

© COPYRIGHT 2004 METRA ELECTRONICS CORPORATION

TABLE OF CONTENTS

***Dash Disassembly* 1-2**

***Kit Preparation* 3**

***Kit Assembly* 4**



KNOWLEDGE IS POWER

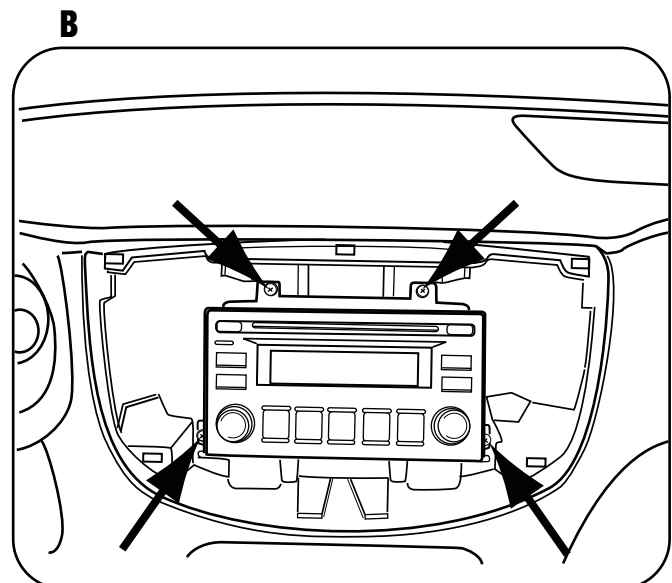
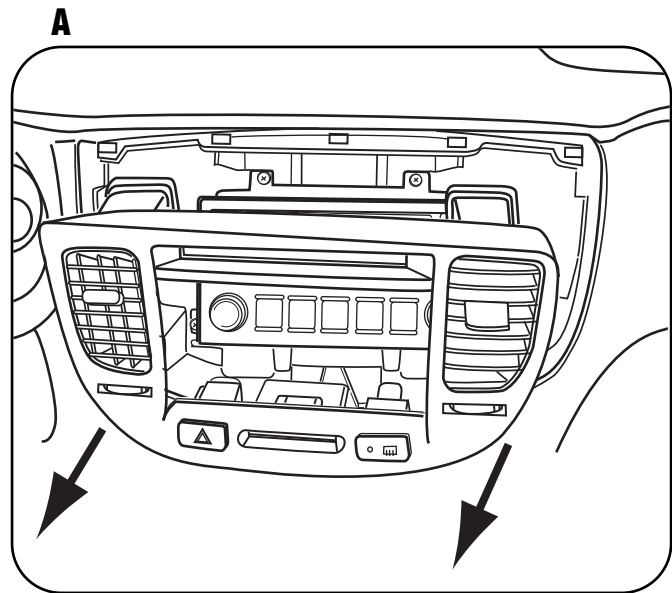
Enhance your installation and fabrication skills by enrolling in the most recognized and respected mobile electronics school in our industry. Log onto www.installerinstitute.com or call 800-354-6782 for more information and take steps toward a better tomorrow.



Metra recommends MECP certified technicians

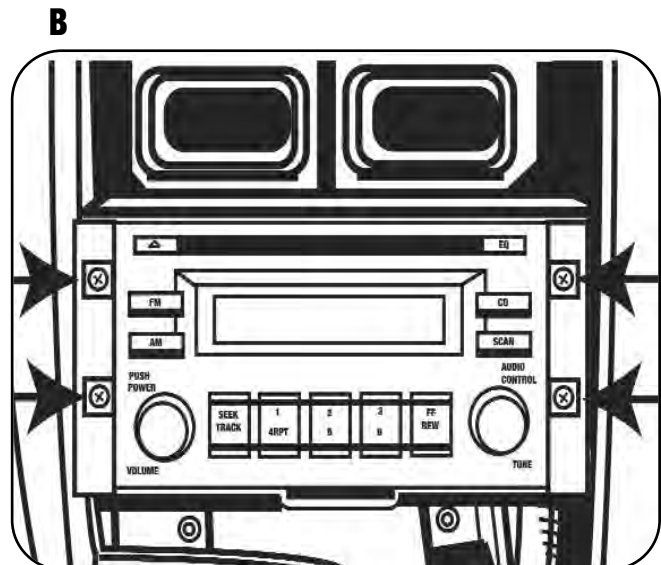
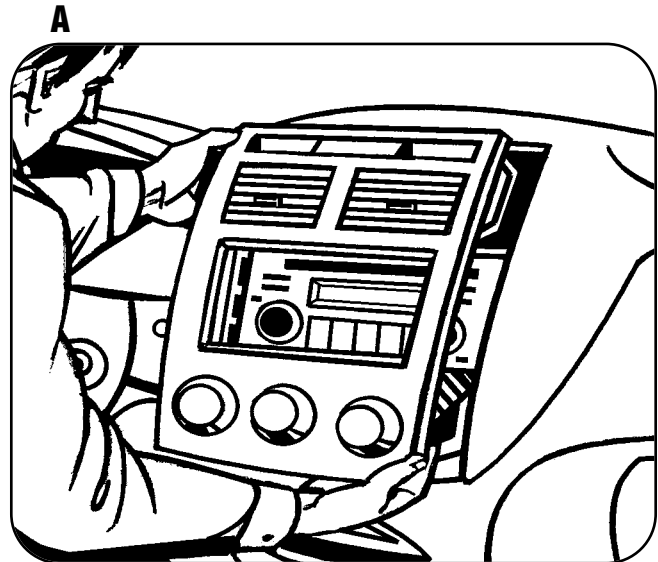
HYUNDAI ACCENT 2006-2009
KIA RIO 2006-2009

- 1** Disconnect the negative battery terminal to prevent an accidental short circuit.
- 2** Unclip and remove the trim panel surrounding the radio and including the a/c vents. (Figure A)
- 3** Remove (4) Phillips screws securing the radio. (Figure B)

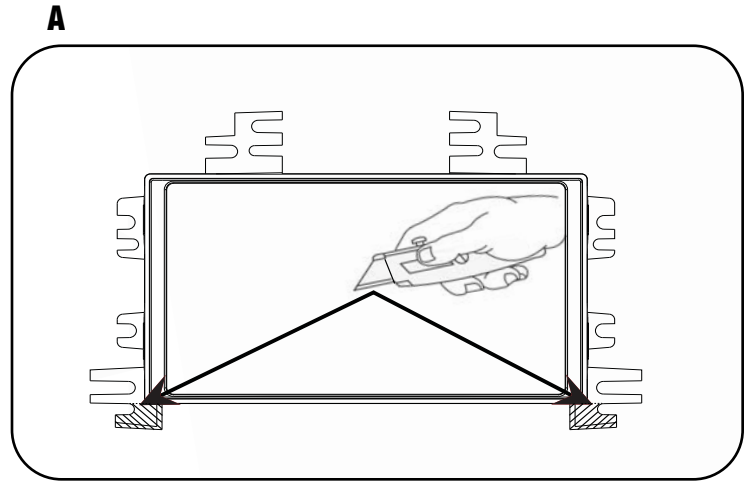


KIA SPORTAGE 2005-2009

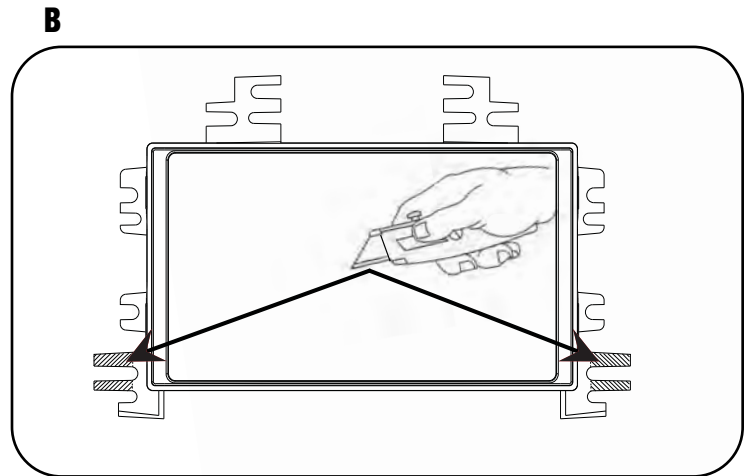
- 1 Disconnect the negative battery terminal to prevent an accidental short circuit.
- 2 Unclip and remove the entire panel surrounding the radio and including the A/C controls. **Note: Start at bottom of panel.** (Figure A)
- 3 Remove (4) Phillips screws to extract radio from dash. (Figure B)



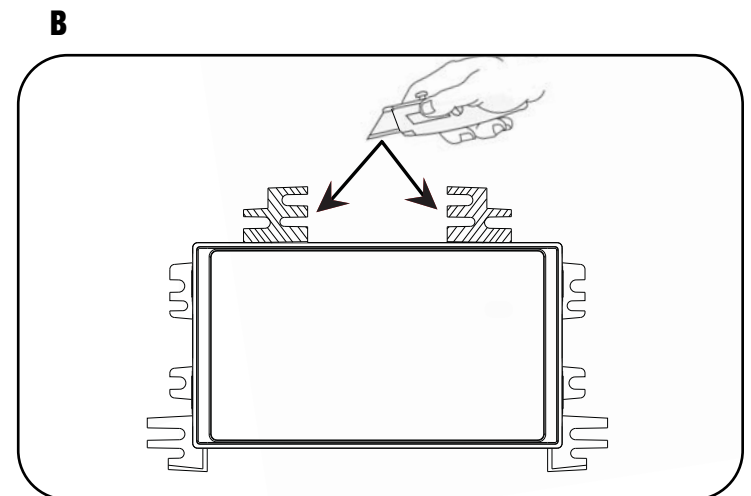
- 1** HYUNDAI ACCENT: Cut and remove shaded areas. (Figure A)



- 2** KIA RIO: Cut and remove shaded areas. (Figure B)

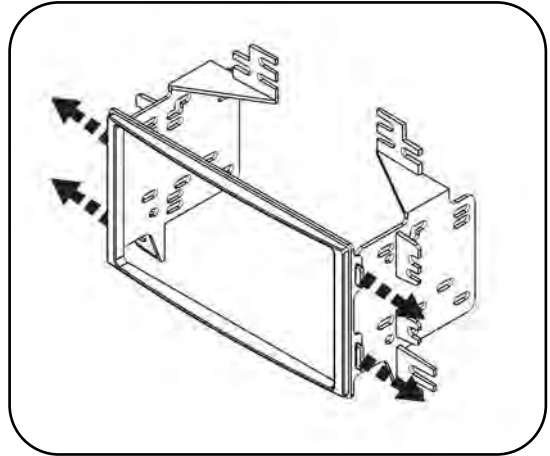
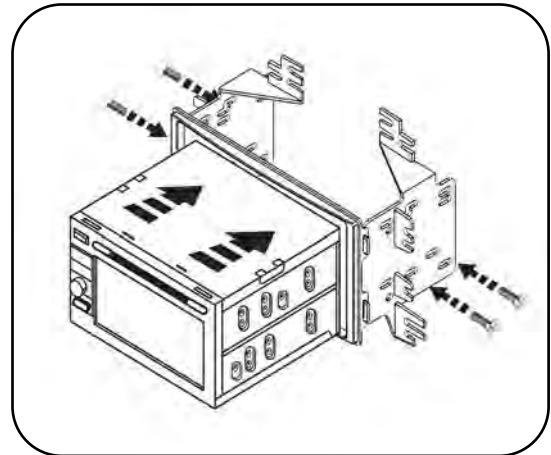


- 3** KIA SPORTAGE: Cut and remove shaded areas. (Figure C)



DOUBLE DIN / STACKED ISO DIN **HEAD UNIT PROVISION**

- 1** Locate the factory wiring harness in the dash. Metra recommends using the proper mating adapter from Metra or AXCESS. Re-connect the negative battery terminal and test the unit for proper operation.
- 2** Attach the Double DIN brackets to the inside edge of the Double DIN trim plate. (Figure A)
- 3** Slide the Double DIN head unit or stacked ISO head units into the bracket/radio housing assembly and secure the Double DIN head unit or stacked ISO head units to the assembly using the screws supplied with the radio. (Figure B)
- 4** Reassemble dash in reverse order of disassembly.

A**B**

95-7321 INSTRUCTIONS

METRA. THE WORLD'S BEST KITS.™



1-800-221-0932



www.metraonline.com

REV. 11/23/09

© COPYRIGHT 2004 METRA ELECTRONICS CORPORATION

INST95-7321