



INSTALLATION INSTRUCTIONS FOR PART 95-7323

APPLICATIONS

Hyundai Entourage 2007-2008 Kia Sedona 2006-2008

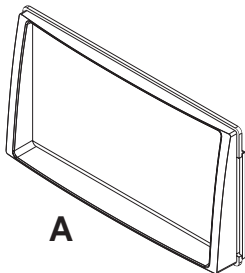
95-7323

KIT FEATURES

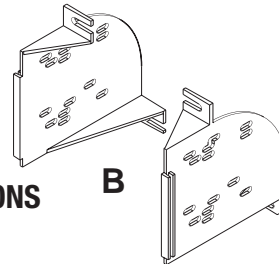
- Double DIN radio provision
- Stacked ISO Units provision

KIT COMPONENTS

- A) Double DIN Trim Plate
- B) Double DIN Brackets



A



B

WIRING AND ANTENNA CONNECTIONS

(Sold Separately)

Wiring Harness:

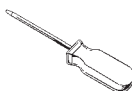
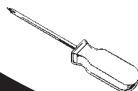
- 70-1004 - Hyundai/KIA harness 2004-up

Antenna Adapter:

- Not required

TOOLS REQUIRED:

- Phillips Screwdriver
- Small Flat Blade Screwdriver
- Or Panel Removal Tool



1-800-221-0932



www.metraonline.com

TABLE OF CONTENTS

Dash Disassembly

- Hyundai Entourage 2007-2008 1
- Kia Sedona 2006-2008 1

Kit Assembly

- Double DIN Radio Provision 2
- Stacked ISO Units Provision 3

Final Assembly 4



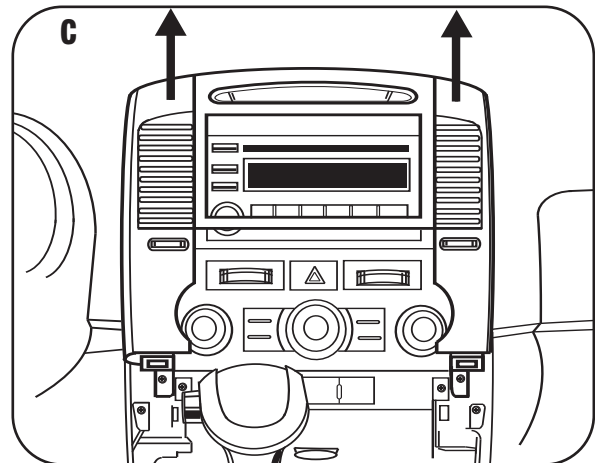
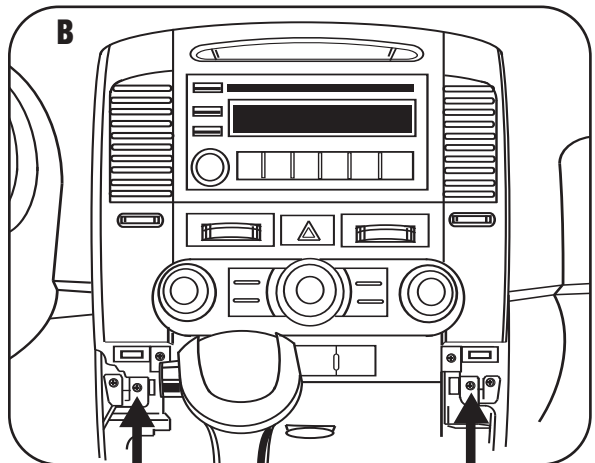
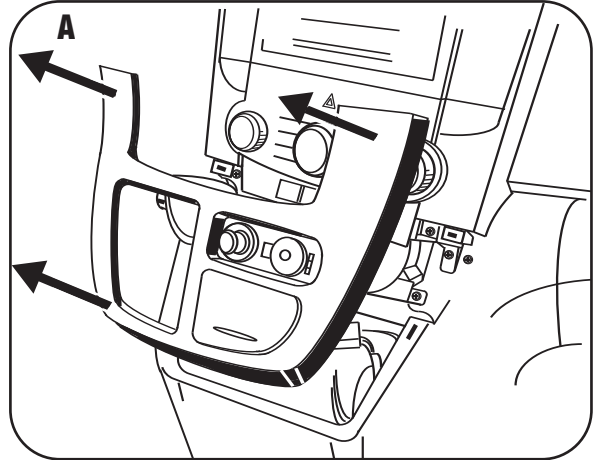
KNOWLEDGE IS POWER

Enhance your installation and fabrication skills by enrolling in the most recognized and respected mobile electronics school in our industry. Log onto www.installerinstitute.com or call 800-354-6782 for more information and take steps toward a better tomorrow.

HYUNDAI ENTOURAGE 2007-2008
KIA SEDONA 2006-2008

- 1 Disconnect the negative battery terminal to prevent an accidental short circuit.
- 2 Unclip and remove panel surrounding shifter. (Figure A)
- 3 Remove (2) Phillips screws at bottom corners of panel surrounding radio. (Figure B)
- 4 Unclip and remove entire panel surrounding radio including the clock and a/c vents. (Figure C)
- 5 Remove (4) Phillips screws securing radio.
- 6 Unplug and remove the radio.

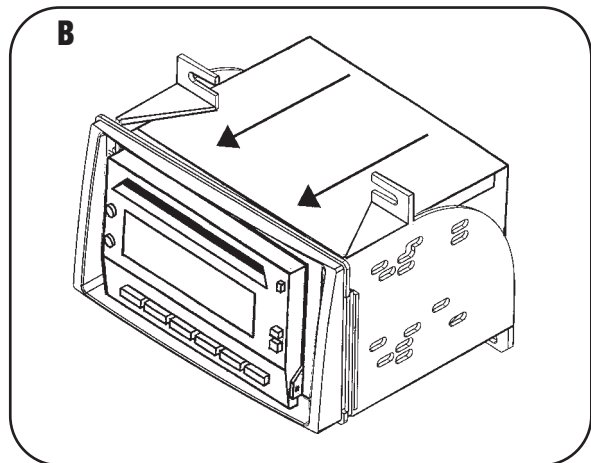
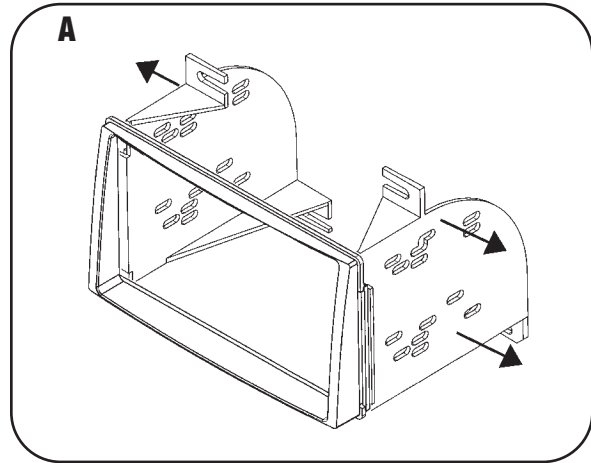
Continue to kit assembly.



DOUBLE DIN RADIO PROVISION

- 1** Snap the Double DIN brackets to the inside edge of the Double DIN trim plate. (Figure A)
- 2** Slide the Double DIN radio into the bracket/trim plate assembly and secure the radio to the assembly using the screws supplied with the radio. (Figure B)

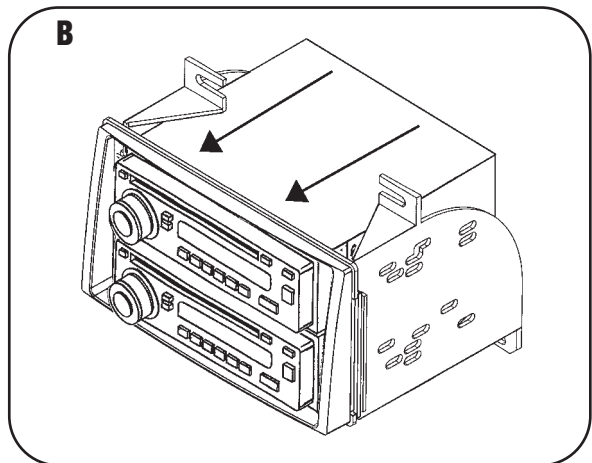
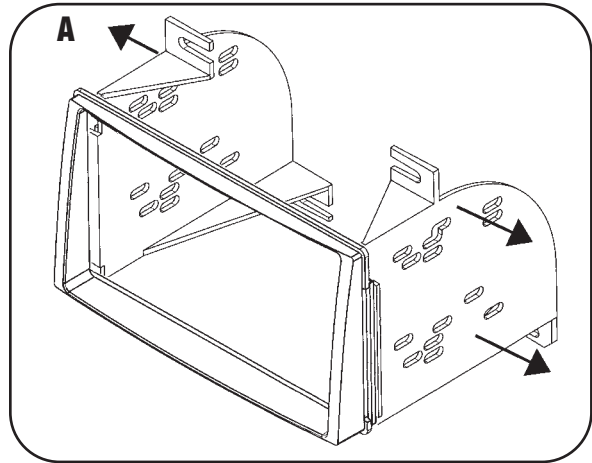
Continue to final assembly.



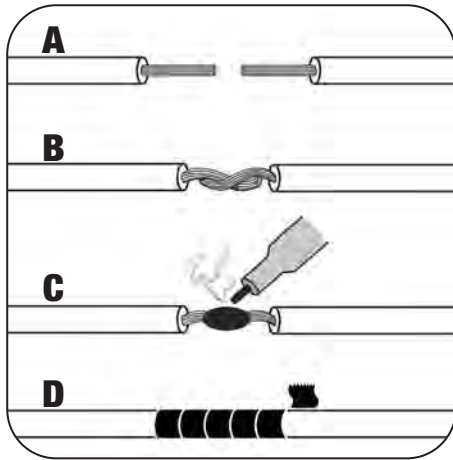
STACKED ISO UNITS PROVISION

- 1 Snap the Double DIN brackets to the inside edge of the Double DIN trim plate. (Figure A)
- 2 Slide the stacked ISO units into the bracket/radio housing assembly and secure the units to the kit using the screws supplied with the units. (Figure B)

Continue to final assembly.



FINAL ASSEMBLY



- A) Strip wire ends back 1/2"**
- B) Twist ends together**
- C) Solder**
- D) Tape**

- 1** Locate the factory wiring harness in the dash. Metra recommends using the proper mating adapter and making connections as shown. (Isolate and individually tape off the ends of any unused wires to prevent electrical short circuit.)
- 2** Re-connect the negative battery terminal and test the unit for proper operation.
- 3** Reassemble in reverse order of disassembly.

FINAL WIRING CONNECTIONS

Make wiring connections using the EIA color code chart shown below and the instructions included with the head unit. Metra recommends making connections as shown below; Strip, Splice, Solder, Tape. Isolate and individually tape off ends of any unused wires to prevent electrical short circuit.

METRA / EIA WIRING CODE

12V Ignition / Acc . . . Red	Right Front (+) Gray
12V Batt / Memory . . Yellow	Right Front (-). Gray/ Black
Ground Black*	Left Front (+) White
Power Antenna Blue	Left Front (-). White / Black
Amp Turn-On Blue / White	Right Rear (+). Violet
Amp Ground Black / White	Right Rear (-) Violet / Black
Illumination. Orange	Left Rear (+). Green
Dimmer Orange / White	Left Rear (-) Green / Black

***NOTE:** When a Black wire is not present, ground radio to vehicle chassis.

All colors may not be present on all leads due to manufacturer's specifications.



NOTES

A series of horizontal lines for writing notes, spanning the width of the page.

95-7323 INSTRUCTIONS



1-800-221-0932



www.metraonline.com

REV. 05/28/09

© COPYRIGHT 2004-2009

METRA ELECTRONICS CORPORATION

INST95-7323