



## INSTALLATION INSTRUCTIONS FOR PART 95-7425

# APPLICATIONS Nissan Rogue 2008

## 95-7425

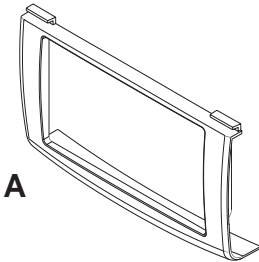
### KIT FEATURES

- Double DIN Radio Provision
- Stacked ISO Mount Units Provision

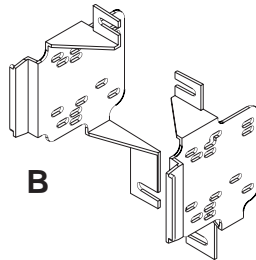


### KIT COMPONENTS

A) Double DIN Radio Housing • B) Double DIN Brackets



A



B

### TOOLS REQUIRED:

- Small Flat Blade Screwdriver/ Panel Removal Tool
- Phillips Screwdriver



1-800-221-0932



[www.metraonline.com](http://www.metraonline.com)

© COPYRIGHT 2008 METRA ELECTRONICS CORPORATION



**TABLE OF CONTENTS**

**Dash Disassembly**

**- Nissan Rogue 2008 .....1,2**

**Kit Assembly**

**- Double DIN/ Stacked ISO Mount Units Provision . . . . . 3**

**Final Assembly . . . . . 4**

**\*Note:**

**Refer also to the instructions included with the aftermarket radio.**

## NISSAN Rogue 2008

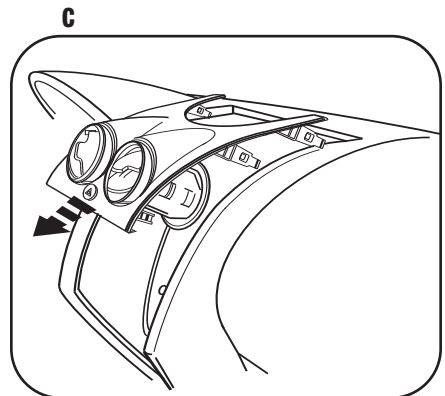
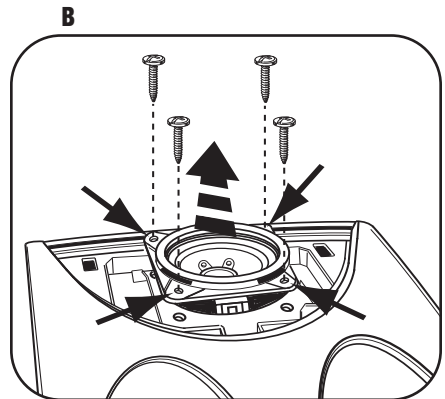
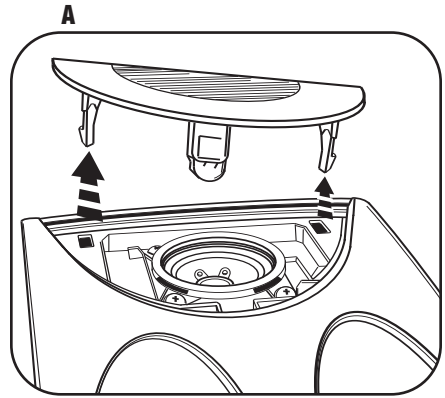
**1** Disconnect the negative battery terminal to prevent an accidental short circuit.

**2** *If equipped with center speaker:*

Unclip and remove the grille (Figure A). Remove (4) Phillips screws securing the speaker. Unplug and remove the speaker. (Figure B). Unclip the panel above the radio including the a/c vents, then unplug hazard switch and remove. (Figure C)

**Note:** *If not equipped with center speaker skip step number 2.*

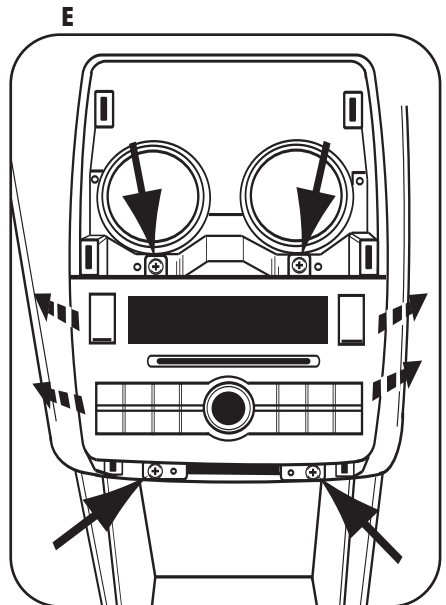
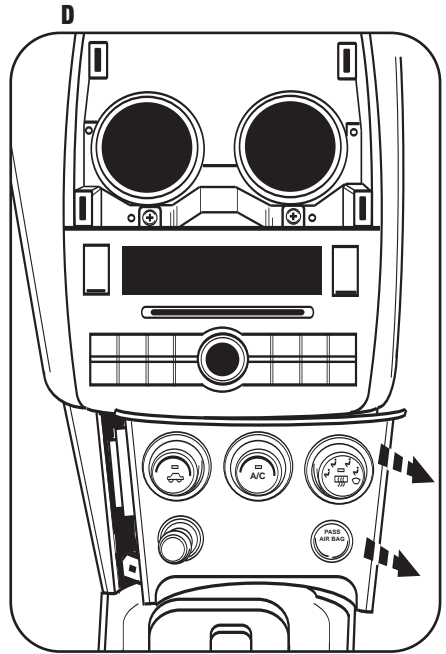
*Continued on page 2.*



## NISSAN Rogue 2008

- 3** Unclip the panel below the radio including the climate controls. Unplug climate controls and remove the panel. (Figure D)
- 4** Remove (4) Phillips screws securing the radio, unplug and remove radio. (Figure E)

*Continue to kit assembly.*

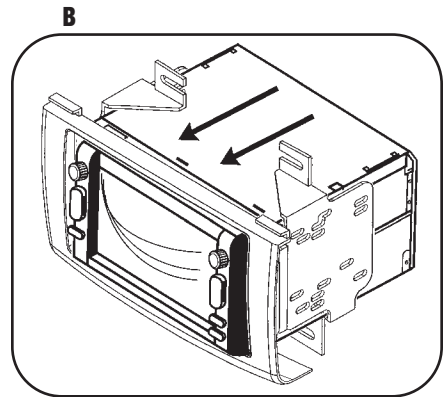
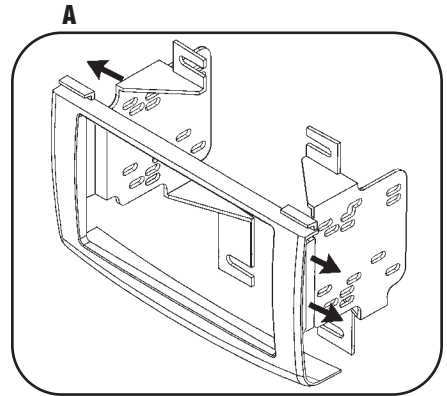


**DOUBLE DIN/STACKED ISO MOUNT UNITS PROVISION**

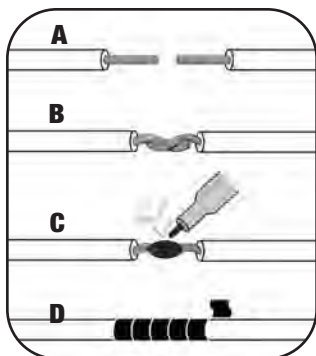
*\*Note: Refer also to the instructions included with the aftermarket radio.*

- 1** Snap the Double DIN brackets to the inside edge of the Double DIN radio housing. (Figure A)
- 2** Slide the Double DIN or the stacked ISO mount unit(s) into the bracket/radio housing assembly and secure the unit(s) to the assembly using the screws supplied with the unit(s). (Figure B)

*Continue to final assembly.*



## FINAL ASSEMBLY



- (A) Strip wire ends back 1/2"**
- B) Twist ends together**
- C) Solder**
- D) Tape**

- 1** Locate the factory wiring harness in the dash. Metra recommends using the proper mating adapter and making connections as shown. (Isolate and individually tape off the ends of any unused wires to prevent electrical short circuit.)
- 2** Re-connect the negative battery terminal and test the unit for proper operation.
- 3** Reassemble in reverse order of disassembly.

### FINAL WIRING CONNECTIONS

Make wiring connections using the EIA color code chart shown below and the instructions included with the head unit. Metra recommends making connections as shown below; Strip, Splice, Solder, Tape. Isolate and individually tape off ends of any unused wires to prevent electrical short circuit.

#### METRA / EIA WIRING CODE

12V Ignition / Acc. . . . .	Red	Right Front (+) . . . . .	Gray
12V Batt / Memory . . . . .	Yellow	Right Front (-) . . . . .	Gray/ Black
Ground . . . . .	Black*	Left Front (+) . . . . .	White
Power Antenna . . . . .	Blue	Left Front (-) . . . . .	White / Black
Amp Turn-On . . . . .	Blue / White	Right Rear (+) . . . . .	Violet
Amp Ground . . . . .	Black / White	Right Rear (-) . . . . .	Violet / Black
Illumination . . . . .	Orange	Left Rear (+) . . . . .	Green
Dimmer . . . . .	Orange / White	Left Rear (-) . . . . .	Green / Black

**\*NOTE:** When a Black wire is not present, ground radio to vehicle chassis.  
All colors may not be present on all leads due to manufacturer's specifications.



# 95-7425 INSTRUCTIONS



1-800-221-0932



[www.metraonline.com](http://www.metraonline.com)

REV. 01/24/08 © COPYRIGHT 2007 METRA ELECTRONICS CORPORATION INST95-7425