



INSTALLATION INSTRUCTIONS FOR PART 95-7867

APPLICATIONS

Acura RSX 2002-2006

95-7867

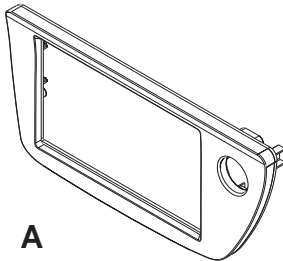
KIT FEATURES

- Double DIN Radio Provision
- Stacked ISO Mount Units Provision



KIT COMPONENTS

- A) Double DIN Trim Plate



A

TOOLS REQUIRED:

- Phillips Screwdriver
- Panel Removal Tool



1-800-221-0932



www.metraonline.com

© COPYRIGHT 2007 METRA ELECTRONICS CORPORATION

TABLE OF CONTENTS

Dash Disassembly

- Acura RSX 2002-2006	1
-----------------------------	---

Kit Assembly

- Double DIN Radio Provision	2
- Stacked ISO Mount Units Provision	2

<u>Final Assembly</u>	3
------------------------------------	---

***Note:**

Refer also to the instructions included with the aftermarket radio.

ACURA RSX 2002-2006

1 Disconnect the negative battery terminal to prevent an accidental short circuit.

2 Unclip the power outlet panel and remove (2) Phillips screws exposed facing up. ("A" in Figure A)

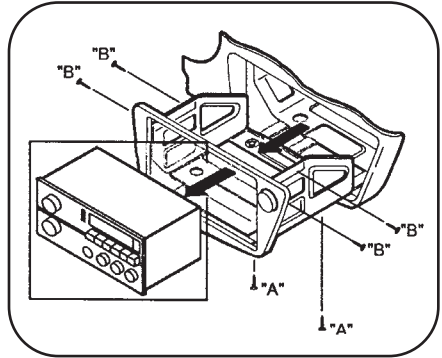
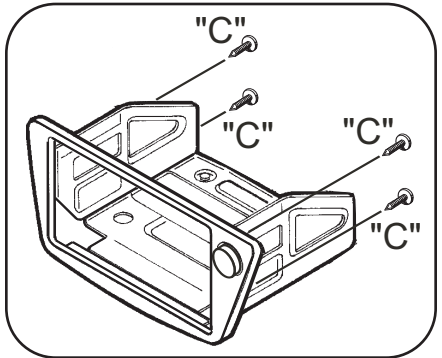
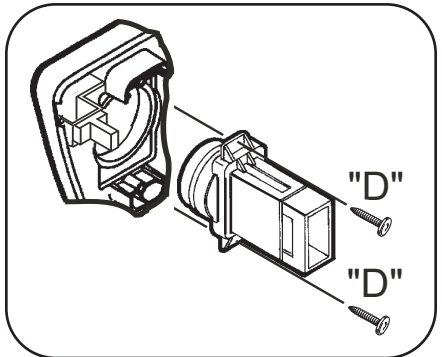
3 Unclip the radio trim panel assembly (including the head unit and the hazard switch) then unplug and remove the assembly. (Figure A)

4 Remove (4) Phillips screws securing the factory head unit to the bracket assembly and remove the unit. ("B" in Figure A)

5 If a factory pocket is present, remove (4) Phillips screws securing the pocket to the bracket assembly and remove.

6 Remove (4) Phillips screws securing the bracket assembly to the back of the radio trim bezel and remove the bezel. (Retain the bracket assembly and screws to be reinstalled into the double DIN trim plate during kit assembly) ("C" in Figure B)

7 Remove (2) Phillips screws securing the hazard switch to the back of the radio trim panel and remove the switch. (Retain the switch and screws to be reinstalled into the double DIN trim plate during kit assembly) ("D" in Figure C)

A

B

C


Continue to kit assembly.

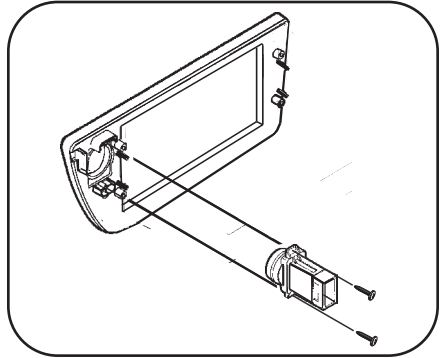
DOUBLE DIN RADIO PROVISION STACKED ISO MOUNT UNITS PROVISION

**Note: Refer also to the instructions included with the aftermarket radio.*

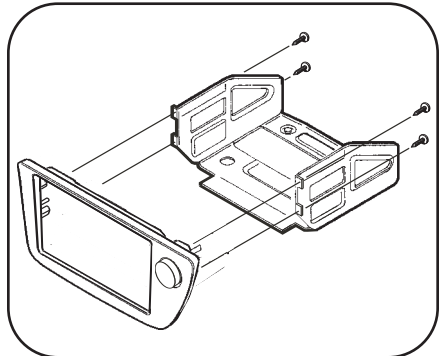
- 1** Mount the hazard switch to the back of the Double DIN Trim Plate using the factory hardware. (Removed in step 7 of dash disassembly) (Figure A)
- 2** Mount the bracket assembly (Removed in step 6 of dash disassembly) to the back of the Double DIN Trim Plate using the factory hardware. (Figure B)
- 3** Slide the Double DIN radio or stacked ISO mount units into the bracket/radio housing assembly and secure to the assembly using the screws supplied with the Double DIN head radio or stacked ISO mount units. (Figure C)

Continue to final assembly.

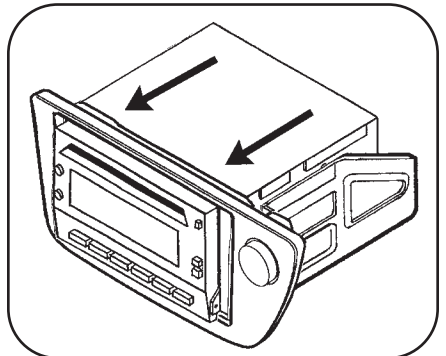
A



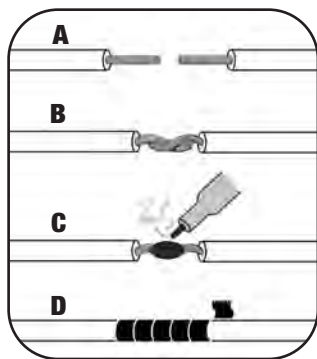
B



C



FINAL ASSEMBLY



(A) Strip wire ends back 1/2"

B) Twist ends together

C) Solder

D) Tape

- 1 Locate the factory wiring harness in the dash. Metra recommends using the proper mating adapter and making connections as shown. (Isolate and individually tape off the ends of any unused wires to prevent electrical short circuit.)
- 2 Re-connect the negative battery terminal and test the unit for proper operation.
- 3 Reassemble radio and dash assemblies in reverse order of disassembly.

FINAL WIRING CONNECTIONS

Make wiring connections using the EIA color code chart shown below and the instructions included with the head unit. Metra recommends making connections as shown below; Strip, Splice, Solder, Tape. Isolate and individually tape off ends of any unused wires to prevent electrical short circuit.

METRA / EIA WIRING CODE

12V Ignition / Acc. Red	Right Front (+) Gray
12V Batt / Memory Yellow	Right Front (-) Gray/ Black
Ground Black*	Left Front (+) White
Power Antenna Blue	Left Front (-) White / Black
Amp Turn-On Blue / White	Right Rear (+) Violet
Amp Ground Black / White	Right Rear (-) Violet / Black
Illumination Orange	Left Rear (+) Green
Dimmer Orange / White	Left Rear (-) Green / Black

***NOTE:** When a Black wire is not present, ground radio to vehicle chassis.

All colors may not be present on all leads due to manufacturer's specifications.

95-7867 INSTRUCTIONS



1-800-221-0932



www.metraonline.com

REV. 11/02/07 © COPYRIGHT 2007 METRA ELECTRONICS CORPORATION INST95-7867